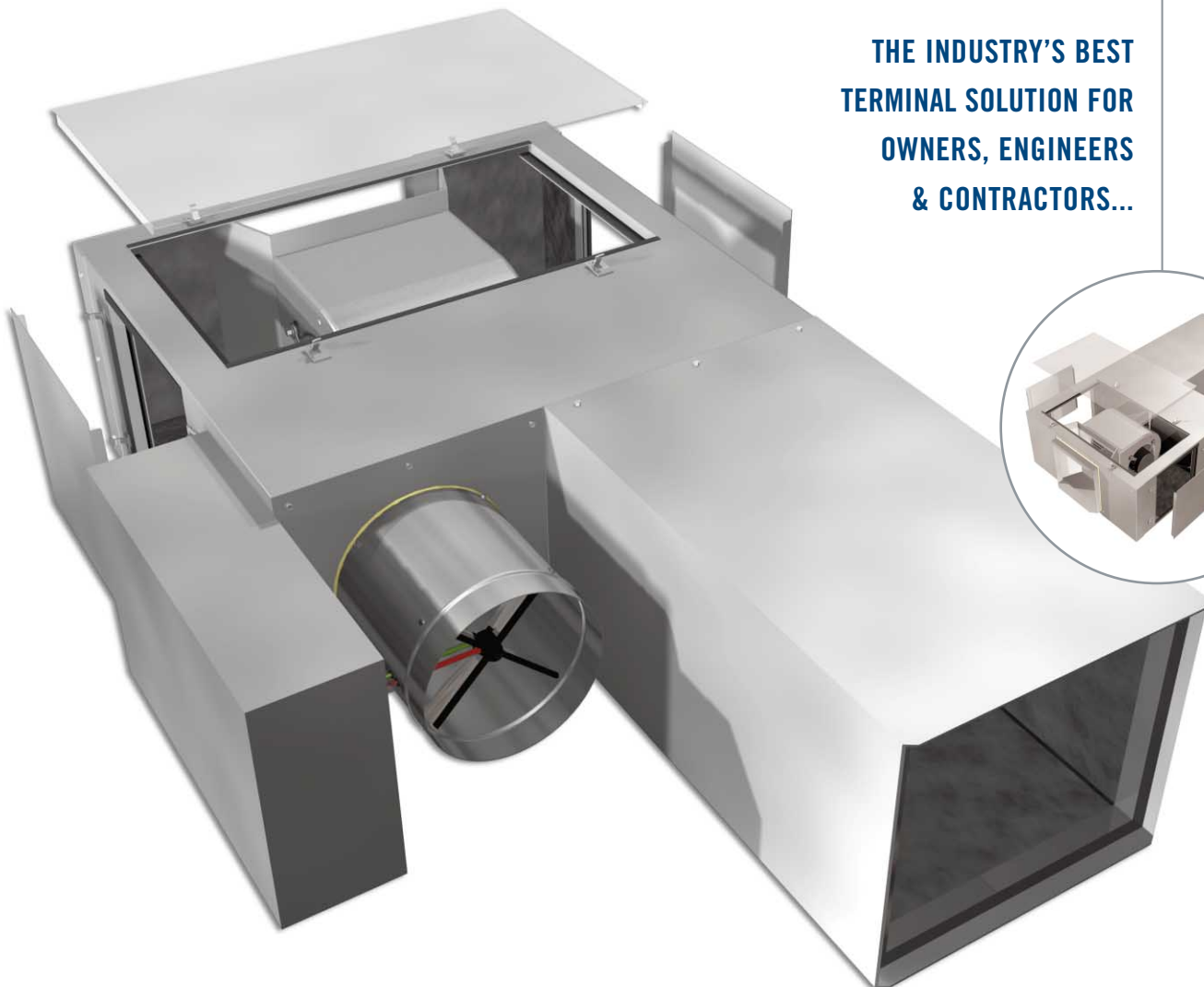


PRICE ► GENESIS

**THE INDUSTRY'S BEST
TERMINAL SOLUTION FOR
OWNERS, ENGINEERS
& CONTRACTORS...**

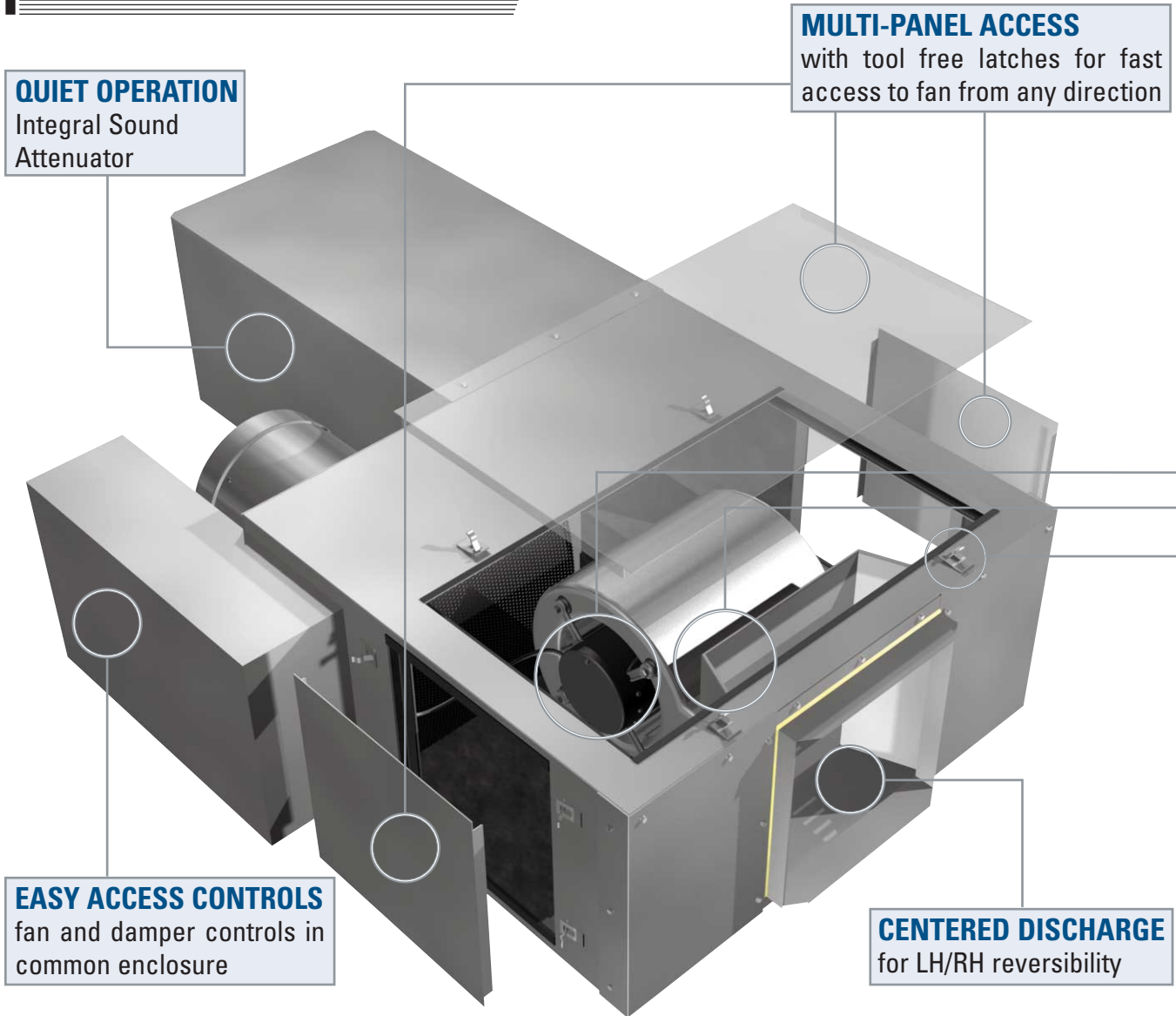


Introducing Price Genesis, the industry's most innovative fan terminal. The Price Genesis fan powered terminals are the most durable, easily accessible, energy efficient and quiet operating terminals available on the market today. In an industry where efficiency and reliability are essential, the Genesis offers owners, engineers and contractors the peace of mind that the terminal they are selecting provides all of the essential solutions to every design requirement. Price Genesis; a new beginning in terminal units.

GENESIS FEATURES

- ▶ Quiet, reliable operation - as much as 10 NC below conventional fan powered terminals
- ▶ High efficiency ECM motor
- ▶ Heavy duty durable construction - built to last!
- ▶ Reversible casing provides flexibility for RH or LH configurations

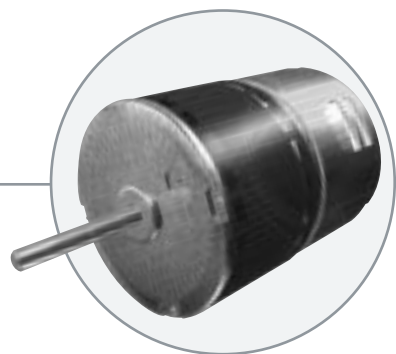
PRICE ► GENESIS



THE BOTTOM LINE:

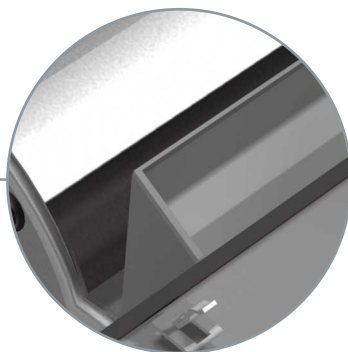
The Price Genesis represents a new level of quality in Fan Powered Terminal Units. Our **CERTIFIED** test data **PROVES** that the Genesis...

- ▶ Is the **QUIETEST** Fan Powered Terminal. **PERIOD**
- ▶ Has the **SMALLEST** footprint per casing size.
- ▶ Offers the **MOST** convenience in accessibility to blower
- ▶ Has the **HIGHEST** quality of construction.
- ▶ Has **UNEQUALED** fan and airflow ranges.
- ▶ Is your **#1 CHOICE** for Fan Powered Terminal Units.



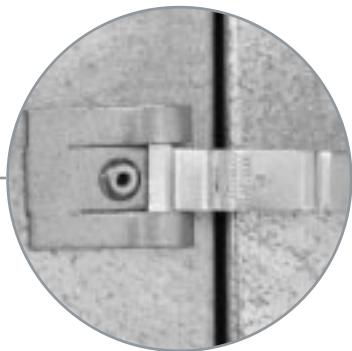
ECM MOTOR

for quiet operation, long life and energy savings



ROBUST REINFORCED CONSTRUCTION

with heavy duty blower support



QUICK RELEASE LATCHES

for easy access to internal components

QUIETEST PERFORMING FAN POWERED TERMINAL IN THE INDUSTRY

COMPARE SOUND DATA PERFORMANCE*			
	PRICE GENESIS SIZE 50	NAILOR STEALTH SIZE 6	TITUS FANTOM IQ SIZE E
LOW FLOW (1400 CFM);			
RADIATED	NC27	NC31	NC29
DISCHARGE	NC22	NC24	NC24
HIGH FLOW (2300 CFM);			
RADIATED	NC40	NC42	NC41
DISCHARGE	NC35	NC38	NC37

* NC levels are presented for the listed air flow at 1" inlet static pressure. Data based on manufacturers on-line catalog information dated October 6, 2004.

COMPARE FLEXIBILITY AND SERVICEABILITY			
	PRICE GENESIS	NAILOR STEALTH	TITUS FANTOM IQ
Wide Air Flow Range	50 - 4000 cfm	300 - 3750 cfm	300 - 2400 cfm
Unrestricted access panels	4	2	2
Tool-free access	Yes	No	No
Gasket on access panels	Yes	No	No
3 types of inlet attenuators	Yes	No	No
ECM standard on all casing sizes	Yes	No	No

THE BEST TERMINAL SOLUTION FOR OWNERS, ENGINEERS AND CONTRACTORS

FOR THE OWNER- OPTIMAL PERFORMANCE

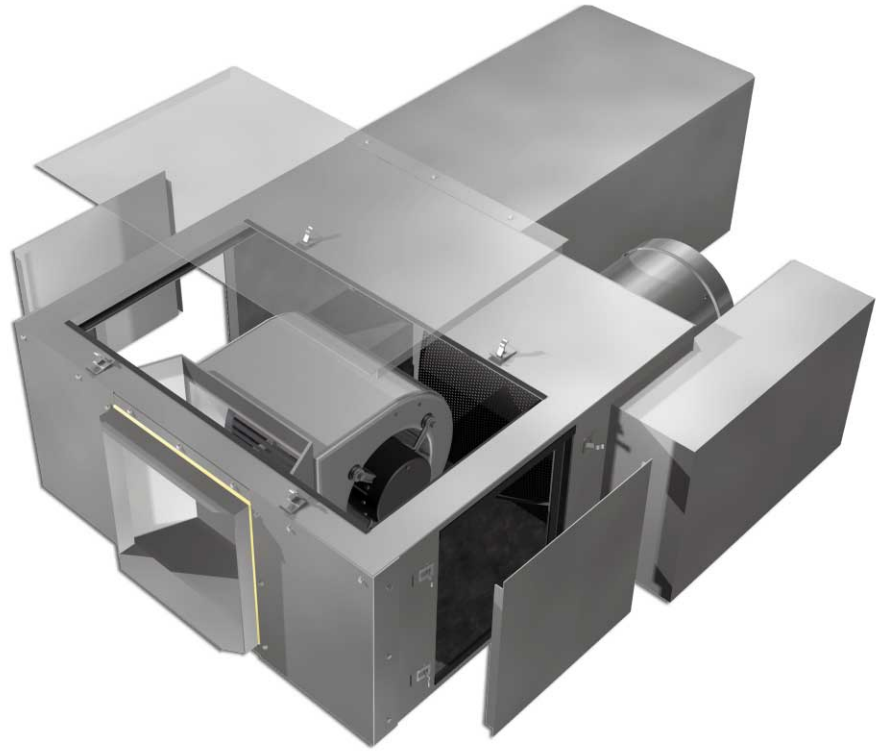
- ▶ Energy Efficient ECM Motor technology
- ▶ Robust construction for long life
- ▶ Quiet operation for comfortable occupancy

FOR THE ENGINEER- ULTIMATE DESIGN FLEXIBILITY

- ▶ Unequaled fan and airflow ranges
- ▶ Small footprints and compact configurations
- ▶ Lowest NC ratings for both discharge and radiated sound

FOR THE CONTRACTOR & FACILITY MANAGER- MAXIMIZED SERVICEABILITY

- ▶ Reversible casings for RH/LH configurations
- ▶ 4-side multi-panel access with tool free latches
- ▶ Quick disconnect motors and remote heater enclosure options



PRICE ▶ GENESIS

The founding principles of our company have never changed - business integrity, first class service and a commitment to people. Price manufacturing endeavours arose from our belief that we could supply superior products and services at a reasonable price. Our mission is to become the worldwide supplier of preference for air distribution products and services. You can rely on Price – our products and services – with confidence.

PRICE
INDUSTRIES

2975 Shawnee Ridge Court • Suwanee, Georgia USA 30024
Ph: 770.623.8050 • Fax: 770.623.6404

Manufacturing Facilities & Distribution Warehouse in Phoenix, Arizona

e.h.price
LIMITED

638 Raleigh Street • Winnipeg, Manitoba Canada R2K 3Z9
Ph: 204.669.4220 • Fax: 204.663.2715

Product Improvement is a continuing endeavour at Price. Therefore, specifications are subject to change without notice. Consult your Price sales representative for current specifications or more detailed information.

© Price is a registered trademark of E.H. Price Limited. © 2005.

Lithographed in Canada 2005

A I R D I S T R I B U T I O N P R O D U C T S F O R W O R L D C L A S S C I T I E S



Grilles, Registers & Diffusers



Terminal Units



Underfloor Products



Security Products



Displacement Ventilation