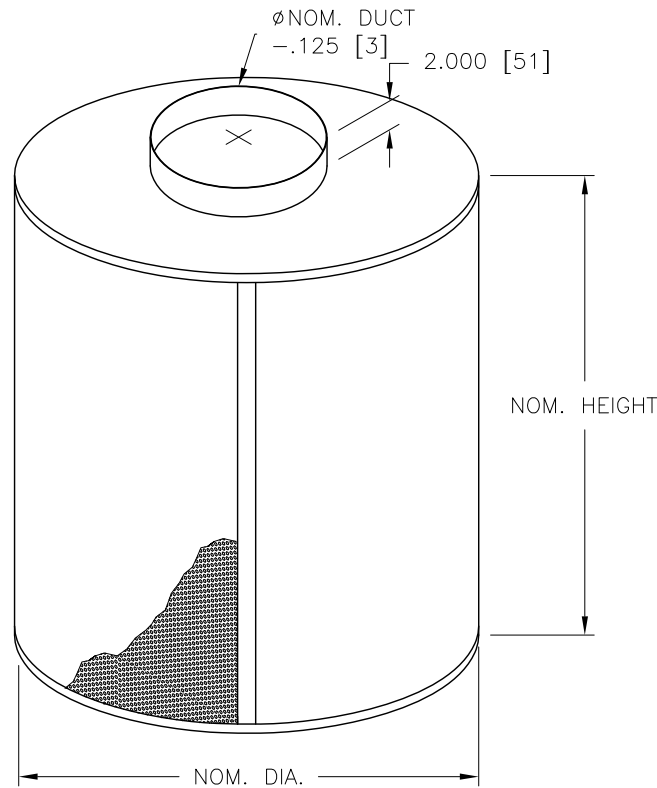


DR360 FULL CIRCULAR DISPLACEMENT DIFFUSER



NOMINAL SIZE

IMPERIAL (METRIC)				
DIA.	MIN. HEIGHT	MAX. HEIGHT	DUCT SIZE RANGE**	INLET LOCATION
12 (305)	12 (305)	48 (1219)	8 (204)	TOP / BOTTOM
18 (457)	12 (305)	48 (1219)	10-14 (254-356)	TOP / BOTTOM
24 (610)	12 (305)	60 (1524)	10-18 (254-457)	TOP / BOTTOM
30 (762)	24 (610)	60 (1524)	10-18 (254-457)	TOP / BOTTOM
36 (915)	24 (610)	48 (1219)	12-22 (305-559)	TOP / BOTTOM
42 (1067)	24 (610)	48 (1219)	16-22 (406-559)	TOP / BOTTOM
48 (1219)	24 (610)	48 (1219)	16-22 (406-559)	TOP / BOTTOM

DIFFUSER:

STANDARD MATERIAL

- PERFORATED FRONT PANEL - 18 GA. STEEL.
- TOP AND BOTTOM - 20 GA. STEEL
- FRAME - ALUMINUM.

FINISH

- DIFFUSER - B12 WHITE (OPTIONAL FINISHES AVAILABLE)


OPTIONAL ACCESSORIES:

- BASE SEE SUBMITTAL 242748

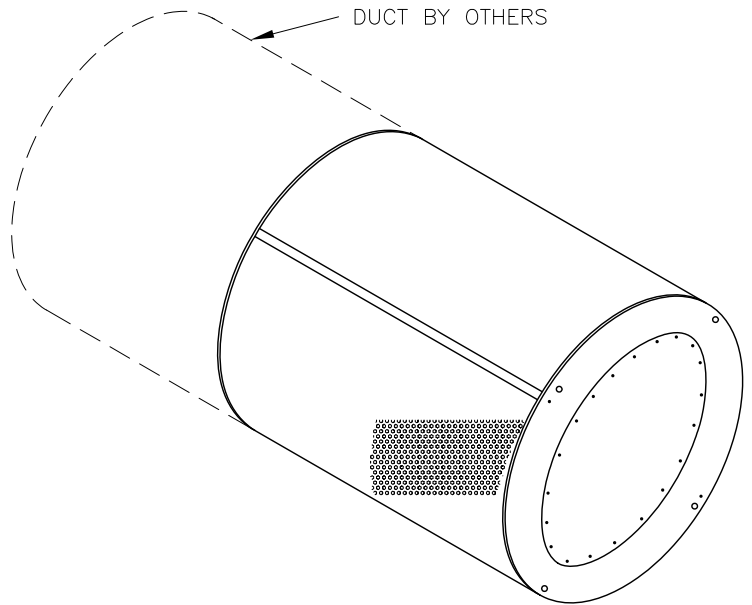
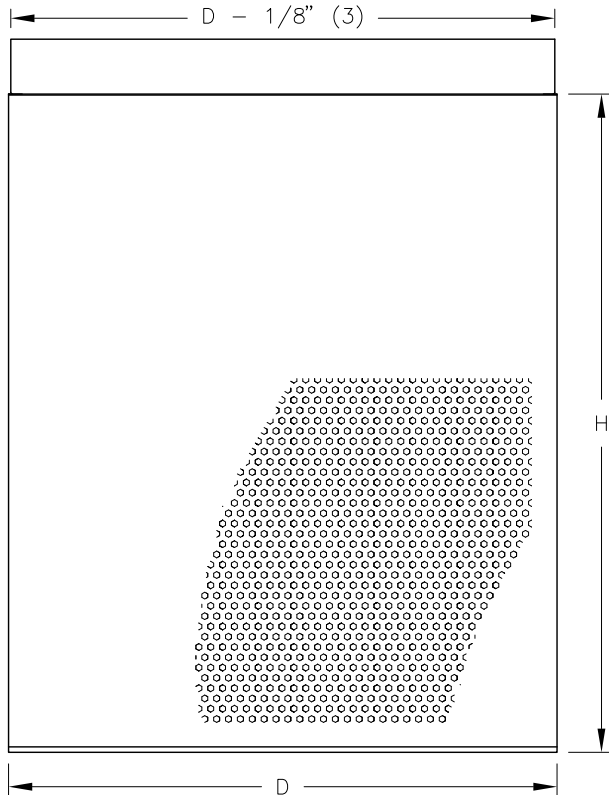
NOTE:

- ** INLETS AVAILABLE IN 2" INCREMENTS
- FACTORY TOLERANCE ±.0625" (2)
- ALL UNITS COME WITH INTERNAL BAFFLE
- INSTALLATION MANUAL I100018

ALL METRIC DIMENSIONS () ARE SOFT CONVERTED. IMPERIAL DIMENSIONS ARE CONVERTED TO METRIC AND ROUNDED TO THE NEAREST MILLIMETER.

PROJECT:		PRICE [®]	
ENGINEER:			DR360 FLOOR MOUNTED CIRCULAR DISPLACEMENT DIFFUSER
CUSTOMER:			
SUBMITTAL DATE:	SPEC. SYMBOL:	SEPT 2010	

DR360-DH DISPLACEMENT DIFFUSER - FULL CIRCULAR DUCT HANGING

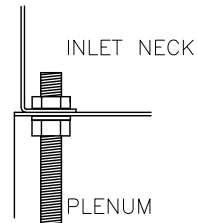


DR360-DH FINISH DETAILS

- SEAMLESS MOUNT TO DUCT FOR ARCHITECTURAL APPEAL
- MINIMAL TRIM AND CLEAN LINES

FACE VIEW

D X H	DUCT
18 X 24 (457 X 610)	18 (457)
18 X 36 (457 X 915)	18 (457)
18 X 48 (457 X 1219)	18 (457)
24 X 24 (610 X 610)	24 (610)
24 X 36 (610 X 915)	24 (610)
24 X 48 (610 X 1219)	24 (610)
24 X 60 (610 X 1524)	24 (610)
30 X 24 (762 X 610)	30 (762)
30 X 36 (762 X 915)	30 (762)
30 X 48 (762 X 1219)	30 (762)
30 X 60 (762 X 1524)	30 (762)



SAFETY BOLT DETAIL

DIFFUSER:

STANDARD MATERIAL

- TOP AND BOTTOM CAP - 18GA. STEEL
- PERFORATED FACE - 18GA. GALV. STEEL.
- FRAME: ALUMINUM

FINISH

- DIFFUSER - B12 WHITE
(OTHER FINISHES AVAILABLE)


NOTE:

- SAFETY BOLTS SUPPLIED IN UNIT
- FACTORY TOLERANCE $\pm 1/16"$ (2)
- ALL UNITS COME WITH INTERNAL BAFFLE
- INSTALLATION MANUAL I100017

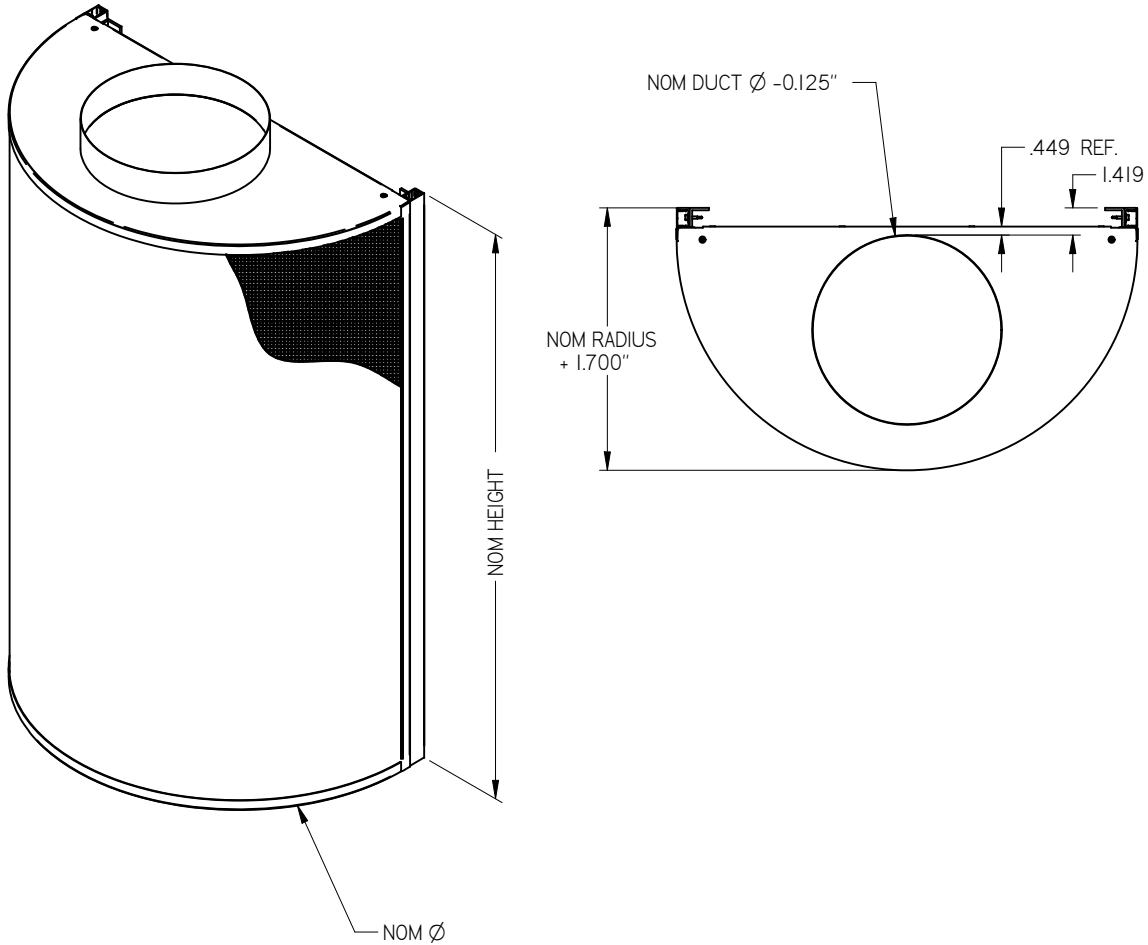
OPTIONS:

- S: SINGLE INLET
- D: DOUBLE INLET

ALL METRIC DIMENSIONS () ARE SOFT CONVERTED. IMPERIAL DIMENSIONS ARE CONVERTED TO METRIC AND ROUNDED TO THE NEAREST MILLIMETER.

PROJECT:		PRICE [®]	
ENGINEER:			DR360-DH DISPLACEMENT FULL CIRCULAR DUCT HANGING
CUSTOMER:		241469	
SUBMITTAL DATE:	SPEC. SYMBOL:	APRIL 2011	

DR180 HALF CIRCULAR DISPLACEMENT DIFFUSER



DIFFUSER:

STANDARD MATERIAL:

- PERFORATED FRONT PANEL - 18 GA STEEL
- TOP AND BOTTOM - 20 GA STEEL
- FRAME - ALUMINUM

FINISH:

- DIFFUSER - B12 WHITE
- (OPTIONAL FINISHES AVAILABLE)

NOTES:

- FACTORY TOLERANCE +/- .0625" (2)
- ALL UNITS COME WITH INTERNAL BAFFLE

INSTALLATION:

- SEE INSTALLATION MANUAL I100019

OPTIONAL ACCESSORIES:

- BASE SEE SUBMITTAL 241596
- DUCT COVER SEE SUBMITTAL 241596

OPTIONAL INLET LOCATIONS: AS LISTED

- TOP
- REAR
- BOTTOM
- FIELD CUT INLET SEE SUBMITTAL 254716

ALL METRIC DIMENSIONS () ARE SOFT CONVERTED. IMPERIAL DIMENSIONS ARE CONVERTED TO METRIC AND ROUNDED TO THE NEAREST MILLIMETER.

PROJECT:		PRICE
ENGINEER:		
CUSTOMER:		239995
SUBMITTAL DATE:	SPEC. SYMBOL:	FEB 2011
		DR180 FLOOR MOUNTED CIRCULAR DISPLACEMENT DIFFUSER

DR180 HALF CIRCULAR DISPLACEMENT DIFFUSER

NOMINAL SIZE			NOMINAL SIZE		
IMPERIAL (METRIC)			IMPERIAL (METRIC)		
DIA/ x H	DUCT	LOCATION	DIA/ x H	DUCT	LOCATION
18 X 24 (457 X 610)	6 (152)	TOP/BOTTOM/REAR	36 X 24 (915 X 610)	10 (254)	TOP/BOTTOM/REAR
	7 (178)	TOP/BOTTOM/REAR		12 (305)	TOP/BOTTOM/REAR
18 X 36 (457 X 915)	6 (152)	TOP/BOTTOM/REAR	36 X 36 (915 X 915)	10 (254)	TOP/BOTTOM/REAR
	7 (178)	TOP/BOTTOM/REAR		12 (305)	TOP/BOTTOM/REAR
	10 X 4 (254 X 102)	TOP/REAR		14 (256)	TOP/BOTTOM/REAR
		16 (406)		TOP/BOTTOM/REAR	
18 X 48 (457 X 1219)	6 (152)	TOP/BOTTOM/REAR	36 X 48 (915 X 1219)	12 (305)	TOP/BOTTOM/REAR
	7 (178)	TOP/BOTTOM/REAR		14 (256)	TOP/BOTTOM/REAR
	10 X 4 (254 X 102)	TOP/REAR		16 (406)	TOP/BOTTOM/REAR
24 X 24 (610 X 610)	8 (204)	TOP/BOTTOM/REAR	36 X 60 (915 X 1524)	14 (356)	TOP/BOTTOM/REAR
	9 (229)	TOP/BOTTOM/REAR		16 (406)	TOP/BOTTOM/REAR
	10 (254)	TOP/BOTTOM/REAR	42 X 36 (1067 X 915)	12 (305)	TOP/BOTTOM/REAR
8 (204)	TOP/BOTTOM/REAR	14 (256)		TOP/BOTTOM/REAR	
9 (229)	TOP/BOTTOM/REAR	16 (406)		TOP/BOTTOM/REAR	
24 X 36 (610 X 915)	10 (254)	TOP/BOTTOM/REAR	42 X 48 (1067 X 1219)	12 (305)	TOP/BOTTOM/REAR
	8 (204)	TOP/BOTTOM/REAR		14 (256)	TOP/BOTTOM/REAR
	9 (229)	TOP/BOTTOM/REAR		16 (406)	TOP/BOTTOM/REAR
24 X 48 (610 X 1219)	10 (254)	TOP/BOTTOM/REAR	42 X 60 (1067 X 1524)	12 (305)	TOP/BOTTOM/REAR
	8 (204)	TOP/BOTTOM/REAR		14 (256)	TOP/BOTTOM/REAR
	9 (229)	TOP/BOTTOM/REAR		16 (406)	TOP/BOTTOM/REAR
24 X 60 (610 X 1524)	16 X 5 (406 X 127)	TOP/REAR	48 X 36 (1219 X 915)	14 (256)	TOP/BOTTOM/REAR
	8 (204)	TOP/BOTTOM/REAR		16 (406)	TOP/BOTTOM/REAR
	10 (254)	TOP/BOTTOM/REAR		14 (256)	TOP/BOTTOM/REAR
30 X 24 (762 X 610)	10 (254)	TOP/BOTTOM/REAR	48 X 48 (1219 X 1219)	16 (406)	TOP/BOTTOM/REAR
	8 (204)	TOP/BOTTOM/REAR		14 (256)	TOP/BOTTOM/REAR
30 X 36 (762 X 915)	12 (305)	TOP/BOTTOM/REAR		48 X 60 (1219 X 1524)	14 (256)
	10 (254)	TOP/BOTTOM/REAR	16 (406)		TOP/BOTTOM/REAR
	12 (305)	TOP/BOTTOM/REAR			
30 X 48 (762 X 1219)	10 (254)	TOP/BOTTOM/REAR			
	12 (305)	TOP/BOTTOM/REAR			
30 X 60 (762 X 1524)	10 (254)	TOP/BOTTOM/REAR			
	12 (305)	TOP/BOTTOM/REAR			
	20 X 6 (508 X 152)	TOP/REAR			

ALL METRIC DIMENSIONS () ARE SOFT CONVERTED. IMPERIAL DIMENSIONS ARE CONVERTED TO METRIC AND ROUNDED TO THE NEAREST MILLIMETER.

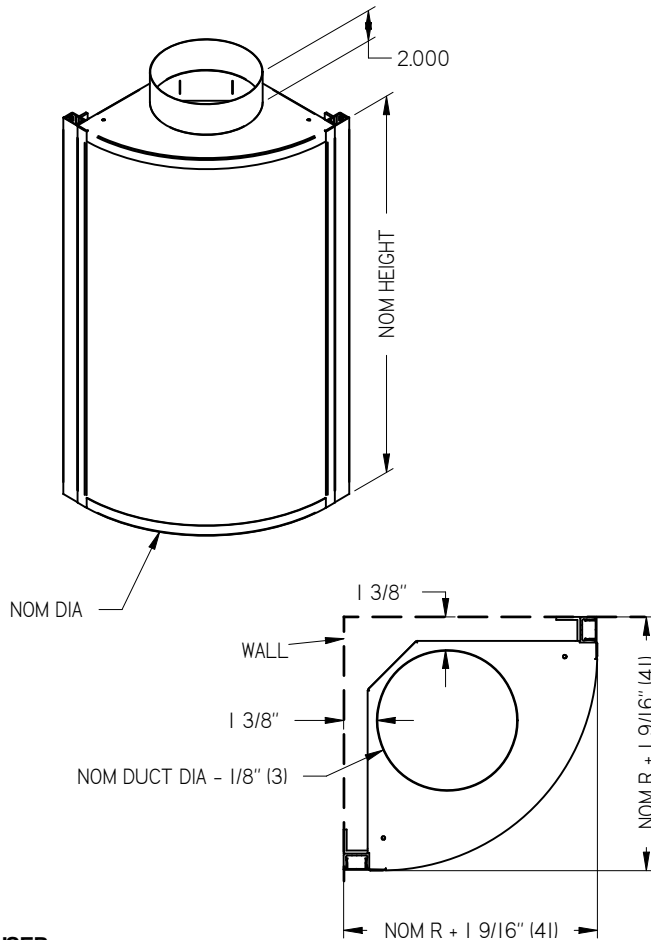
PROJECT:		
ENGINEER:		
CUSTOMER:		239995
SUBMITTAL DATE:		FEB 2011
SPEC. SYMBOL:		



2

**DR180
FLOOR MOUNTED
CIRCULAR DISPLACEMENT
DIFFUSER**

DR90 QUARTER CIRCULAR DISPLACEMENT DIFFUSER



NOMINAL SIZE			
IMPERIAL (METRIC)			
DIA. X H		DUCT DIA	INLET
18 X 24	(457 X 610)	4 (102)	TOP/BOTTOM
18 X 36	(457 X 914)	4 (102)	TOP/BOTTOM
18 X 48	(457 X 1219)	4 (102)	TOP/BOTTOM
24 X 24	(610 X 610)	6 (152)	TOP/BOTTOM
24 X 24	(610 X 610)	7 (178)	TOP/BOTTOM
24 X 36	(610 X 914)	6 (152)	TOP/BOTTOM
24 X 36	(610 X 914)	7 (178)	TOP/BOTTOM
24 X 48	(610 X 1219)	6 (152)	TOP/BOTTOM
24 X 48	(610 X 1219)	7 (178)	TOP/BOTTOM
24 X 60	(610 X 1524)	6 (152)	TOP/BOTTOM
24 X 60	(610 X 1524)	7 (178)	TOP/BOTTOM
30 X 24	(762 X 610)	8 (203)	TOP/BOTTOM
30 X 36	(762 X 914)	8 (203)	TOP/BOTTOM
30 X 48	(762 X 1219)	8 (203)	TOP/BOTTOM
30 X 60	(762 X 1524)	8 (203)	TOP/BOTTOM
36 X 24	(914 X 610)	10 (254)	TOP/BOTTOM
36 X 24	(914 X 610)	12 (305)	TOP/BOTTOM
36 X 36	(914 X 914)	10 (254)	TOP/BOTTOM
36 X 36	(914 X 914)	12 (305)	TOP/BOTTOM
36 X 48	(914 X 1219)	10 (254)	TOP/BOTTOM
36 X 48	(914 X 1219)	12 (305)	TOP/BOTTOM
36 X 60	(914 X 1524)	10 (254)	TOP/BOTTOM
36 X 60	(914 X 1524)	12 (305)	TOP/BOTTOM
42 X 36	(1067 X 914)	12 (305)	TOP/BOTTOM
42 X 48	(1067 X 1219)	12 (305)	TOP/BOTTOM
42 X 60	(1067 X 1524)	12 (305)	TOP/BOTTOM
48 X 36	(1219 X 914)	14 (356)	TOP/BOTTOM
48 X 48	(1219 X 1219)	14 (356)	TOP/BOTTOM
48 X 60	(1219 X 1524)	14 (356)	TOP/BOTTOM

DIFFUSER:

STANDARD MATERIAL:

- PERFORATED FRONT PANEL - 18 GA STEEL
- TOP AND BOTTOM - 20 GA STEEL
- FRAME - ALUMINUM

FINISH:

- DIFFUSER - B12 WHITE
- (OPTIONAL FINISHES AVAILABLE)

NOTES:

- FACTORY TOLERANCE +/- 1/16" (2)
- ALL UNITS COME WITH INTERNAL BAFFLE
- SEE INSTALLATION MANUAL I100021


OPTIONAL ACCESSORIES:

- BASE SEE SUBMITTAL 241596
- DUCT COVER SEE SUBMITTAL 241596

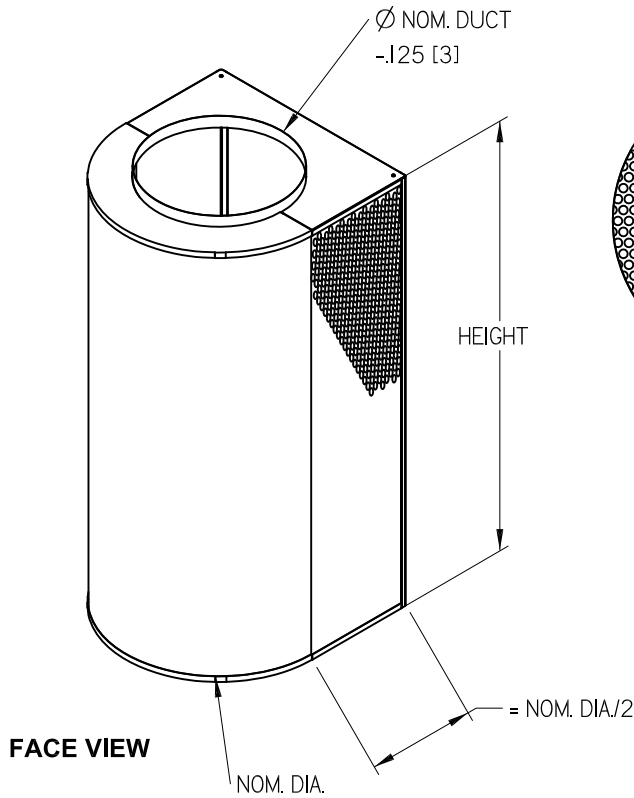
OPTIONAL INLET LOCATIONS: AS LISTED

- TOP
- BOTTOM
- FIELD CUT INLET, SEE SUBMITTAL 254716

ALL METRIC DIMENSIONS () ARE SOFT CONVERTED. IMPERIAL DIMENSIONS ARE CONVERTED TO METRIC AND ROUNDED TO THE NEAREST MILLIMETER.

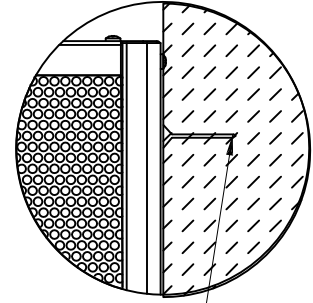
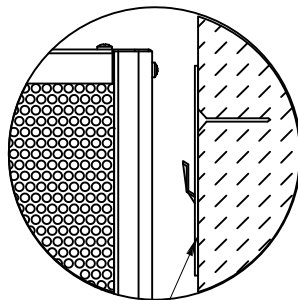
PROJECT:		 DR90 FLOOR MOUNTED CIRCULAR DISPLACEMENT DIFFUSER
ENGINEER:		
CUSTOMER:		
SUBMITTAL DATE:	SPEC. SYMBOL:	
		2 239996 APRIL 2011

DR180U - U-SHAPED DISPLACEMENT DIFFUSER



SURFACE MOUNT DETAIL

SLIDE PLENUM ONTO WALL MOUNT PLATE



DIFFUSER:

STANDARD CONSTRUCTION:

- PERFORATED FRONT PANEL - 18GA. STEEL.
- TOP AND BOTTOM - 20 GA. STEEL.
- FRAME - ALUMINUM.

FINISH:

- DIFFUSER - B12 WHITE
- (OPTIONAL FINISHES AVAILABLE)

NOTE:

- FACTORY TOLERANCE +/- 1/32" (1)
- ALL UNITS COME WITH INTERNAL BAFFLE
- SEE INSTALLATION MANUAL I100023

OPTIONAL ACCESSORIES:

- BASE
- DUCT COVER

OPTIONAL INLET LOCATIONS:

- TOP
- REAR
- BOTTOM

NOMINAL SIZE

IMPERIAL (METRIC)		
DIA x NOM HEIGHT	DUCT	MAX HEIGHT
12 (305)	8 (203)	48 (1219)
18 (457)	10 (254)	60 (1524)
	12 (305)	60 (1524)
24 (610)	16 (406)	60 (1524)
30 (762)	20 (508)	60 (1524)
	24 (610)	60 (1524)
36 (914)	32 (813)	60 (1524)

ALL METRIC DIMENSIONS () ARE SOFT CONVERTED. IMPERIAL DIMENSIONS ARE CONVERTED TO METRIC AND ROUNDED TO THE NEAREST MILLIMETER.

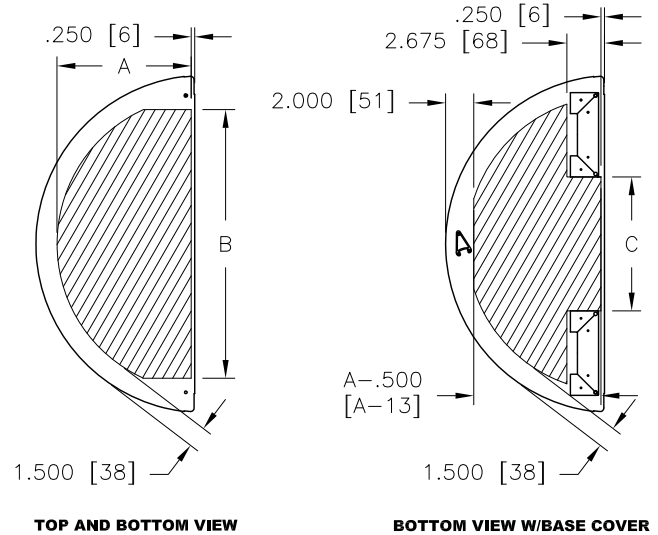
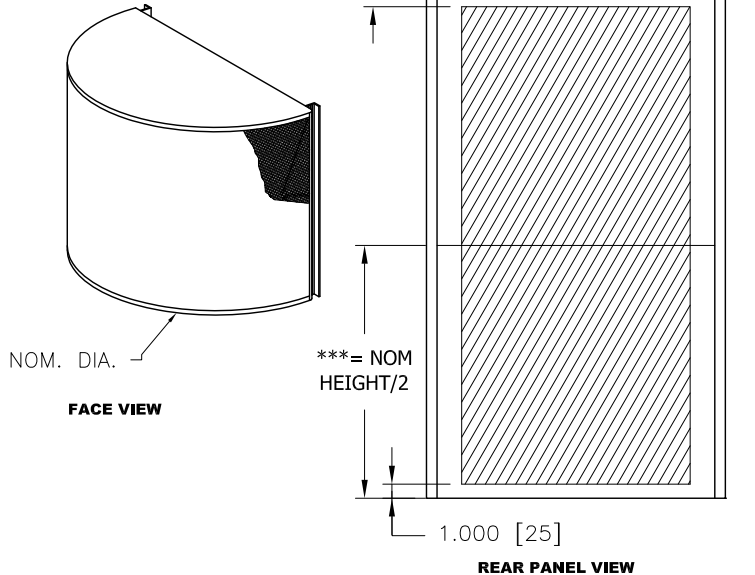
PROJECT:		PRICE [®]	
ENGINEER:		<i>R</i>	DR180U FLOOR MOUNTED U-SHAPED DISPLACEMENT DIFFUSER
CUSTOMER:		243435	
SUBMITTAL DATE:	SPEC. SYMBOL:	JULY 2011	

DR90/DR180 FIELD-CUT INLET

AREA AVAILABLE FOR INLET

THE AREA DIMENSIONED MAY BE USED FOR CUTTING AND PLACING THE INLET

DR180

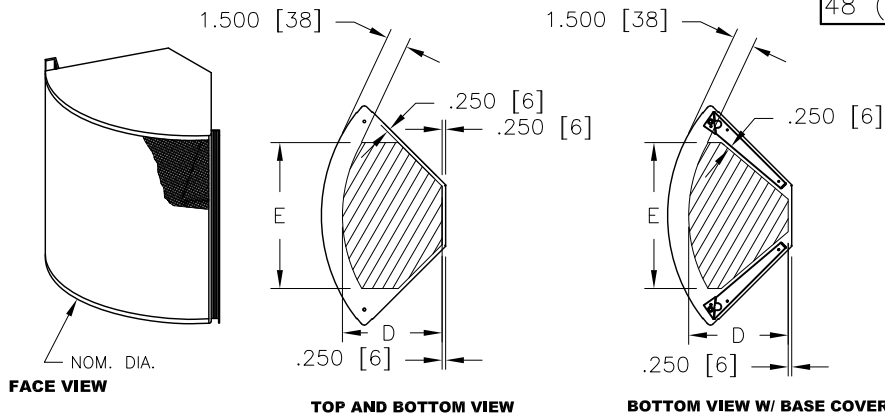


DR180 NOMINAL SIZE

IMPERIAL (METRIC)			
NOM. DIA.	A	B	C
18 (457)	7 (178)	13 (330)	7½ (191)
24 (610)	10 (254)	19 (483)	9½ (241)
30 (762)	13 (330)	25 (635)	12½ (318)
36 (915)	16 (406)	31 (787)	14½ (368)
42 (1067)	19 (483)	27 (940)	16½ (419)
48 (1219)	22 (559)	43 (1092)	18½ (470)

NOTE FOR DR180:
***IF UNIT IS SHORTER THAN 36" A SPLIT BACK-PANEL WILL BE USED. SEE DETAIL.

DR90




DR90 NOMINAL SIZE

IMPERIAL (METRIC)		
NOM. DIA.	D	E
18 (457)	4½ (114)	7 (178)
24 (610)	7 (178)	11¾ (289)
30 (762)	9½ (241)	15⅝ (397)
36 (915)	12 (305)	19⅞ (505)
42 (1067)	14½ (368)	24⅛ (613)
48 (1219)	16½ (419)	28⅜ (721)

NOTE:

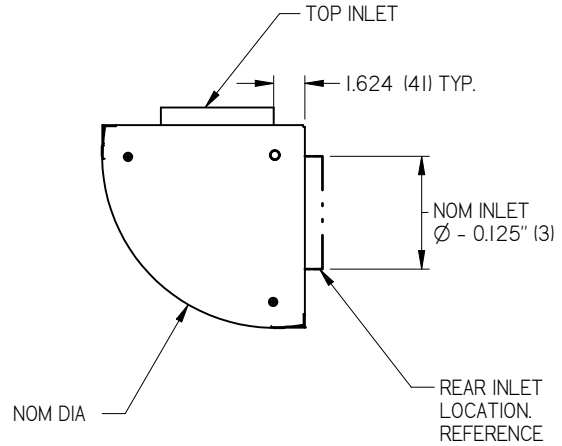
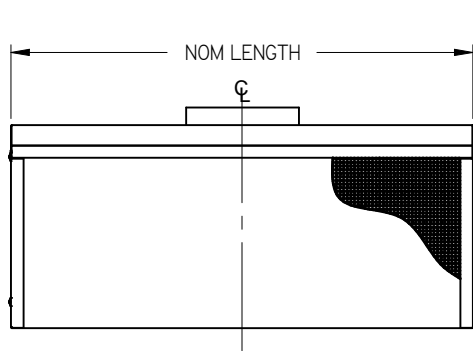
- FACTORY TOLERANCE ±.0625" (2)

ALL METRIC DIMENSIONS () ARE SOFT CONVERTED. IMPERIAL DIMENSIONS ARE CONVERTED TO METRIC AND ROUNDED TO THE NEAREST MILLIMETER.

PROJECT:		PRICE [®]	
ENGINEER:			DR90/DR180
CUSTOMER:		254716	FLOOR MOUNTED NO INLET CIRCULAR DISPLACEMENT DIFFUSER
SUBMITTAL DATE:	SPEC. SYMBOL:	APRIL 2011	

DR90-H HORIZONTALLY MOUNTED
QUARTER CIRCULAR DISPLACEMENT DIFFUSER

TOP / REAR INLET, ROUND. TOP INLET SHOWN. FLIP UNIT FOR REAR INLET.



DIFFUSER:

STANDARD MATERIAL:

- PERFORATED FRONT PANEL -18 GA STEEL
- END CAPS - 20 GA STEEL
- FRAME - ALUMINUM

FINISH:

- DIFFUSER - B12 WHITE
- (OPTIONAL FINISHES AVAILABLE)

NOTES:

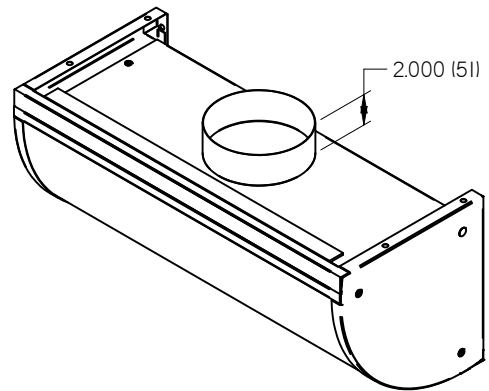
- FACTORY TOLERANCE +/- 1/16" (2)
- ALL UNITS COME WITH INTERNAL BAFFLE
- SEE INSTALLATION MANUAL I100038

OPTIONAL ACCESSORIES:

- DUCT COVER SEE SUBMITTAL 241596

OPTIONAL INLET LOCATIONS: AS LISTED

- LEFT / RIGHT
- TOP / REAR
- FIELD CUT INLET

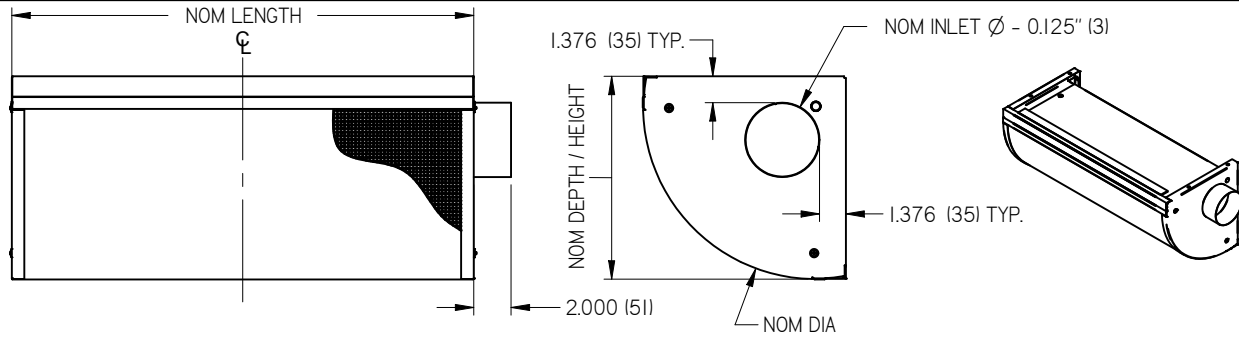


ALL METRIC DIMENSIONS () ARE SOFT CONVERTED. IMPERIAL DIMENSIONS ARE CONVERTED TO METRIC AND ROUNDED TO THE NEAREST MILLIMETER.

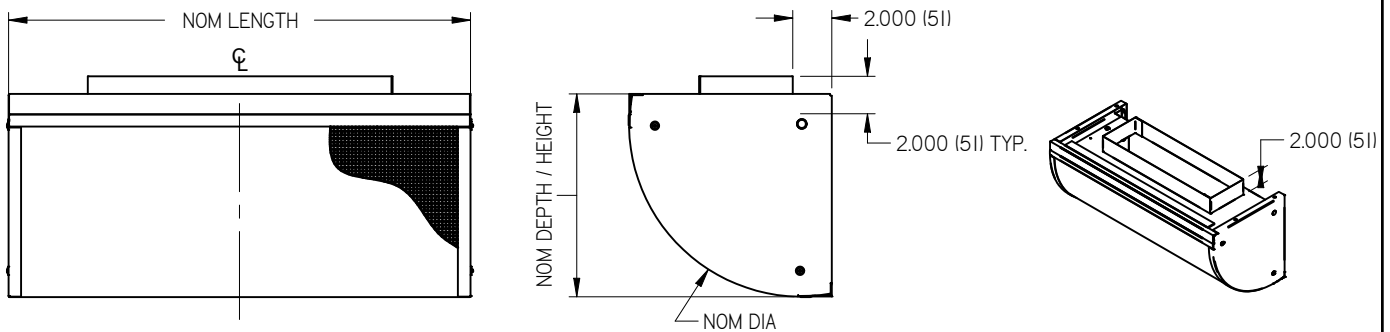
PROJECT:		PRICE	DR90-H HORIZONTALLY MOUNTED QUARTER CIRCULAR DISPLACEMENT DIFFUSER
ENGINEER:			
CUSTOMER:		258868	
SUBMITTAL DATE:	SPEC. SYMBOL:	SEPT 2011	

**DR90-H HORIZONTALLY MOUNTED
QUARTER CIRCULAR DISPLACEMENT DIFFUSER**

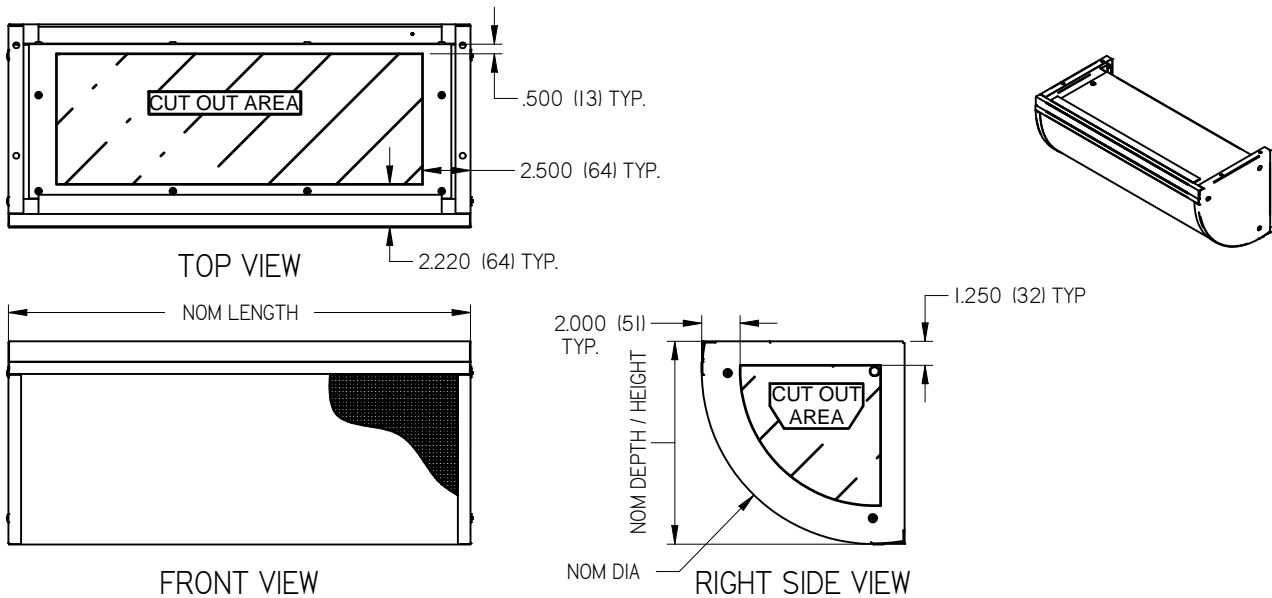
- LEFT / RIGHT SIDE INLET, ROUND. RIGHT SIDE INLET SHOWN. FLIP UNIT FOR LEFT SIDE INLET.



- TOP / REAR INLET, RECTANGULAR. TOP INLET SHOWN. FLIP UNIT FOR REAR INLET.



- FC (FIELD CUT) INLET. HATCHED AREA SHOWS POSSIBLE CUT OUT AREA.



ALL METRIC DIMENSIONS () ARE SOFT CONVERTED. IMPERIAL DIMENSIONS ARE CONVERTED TO METRIC AND ROUNDED TO THE NEAREST MILLIMETER.

PROJECT:

ENGINEER:

CUSTOMER:

SUBMITTAL DATE:

SPEC. SYMBOL:



258868



SEPT 2011

**DR90-H
HORIZONTALLY MOUNTED
QUARTER CIRCULAR
DISPLACEMENT
DIFFUSER**

DR90-H HORIZONTALLY MOUNTED
QUARTER CIRCULAR DISPLACEMENT DIFFUSER

NOMINAL SIZE						
IMPERIAL (METRIC)						
DIA. X LENGTH	NOM DEPTH/HEIGHT	NOM INLET, DUCT (ROUND)			INLET LOCATION (ROUND)	
18 X 24 (457 X 610)	10 9/16	4 (102)	6 (152)			TOP/REAR, END LEFT/RIGHT
18 X 36 (457 X 914)	10 9/16	4 (102)	6 (152)			TOP/REAR, END LEFT/RIGHT
18 X 48 (457 X 1219)	10 9/16	6 (152)				TOP/REAR, END LEFT/RIGHT
18 X 60 (457 X 1524)	10 9/16	6 (152)				TOP/REAR, END LEFT/RIGHT
18 X 72 (457 X 1829)	10 9/16	6 (152)				TOP/REAR, END LEFT/RIGHT
18 X 84 (457 X 2134)	10 9/16	6 (152)				TOP/REAR, END LEFT/RIGHT
18 X 96 (457 X 2438)	10 9/16	6 (152)				TOP/REAR, END LEFT/RIGHT
24 X 24 (610 X 610)	13 9/16	6 (152)	8 (203)	9 (229)		TOP/REAR, END LEFT/RIGHT
24 X 36 (610 X 914)	13 9/16	6 (152)	8 (203)	9 (229)		TOP/REAR, END LEFT/RIGHT
24 X 48 (610 X 1219)	13 9/16	6 (152)	8 (203)	9 (229)		TOP/REAR, END LEFT/RIGHT
24 X 60 (610 X 1524)	13 9/16	6 (152)	8 (203)	9 (229)		TOP/REAR, END LEFT/RIGHT
24 X 72 (610 X 1829)	13 9/16	6 (152)	8 (203)	9 (229)		TOP/REAR, END LEFT/RIGHT
24 X 84 (610 X 2134)	13 9/16	6 (152)	8 (203)	9 (229)		TOP/REAR, END LEFT/RIGHT
24 X 96 (610 X 2438)	13 9/16	6 (152)	8 (203)	9 (229)		TOP/REAR, END LEFT/RIGHT
30 X 24 (762 X 610)	16 9/16	8 (203)	10 (254)			TOP/REAR, END LEFT/RIGHT
30 X 36 (762 X 914)	16 9/16	8 (203)	10 (254)			TOP/REAR, END LEFT/RIGHT
30 X 48 (762 X 1219)	16 9/16	8 (203)	10 (254)			TOP/REAR, END LEFT/RIGHT
30 X 60 (762 X 1524)	16 9/16	8 (203)	10 (254)			TOP/REAR, END LEFT/RIGHT
30 X 72 (762 X 1829)	16 9/16	8 (203)	10 (254)			TOP/REAR, END LEFT/RIGHT
30 X 84 (762 X 2134)	16 9/16	8 (203)	10 (254)			TOP/REAR, END LEFT/RIGHT
30 X 96 (762 X 2438)	16 9/16	8 (203)	10 (254)			TOP/REAR, END LEFT/RIGHT
36 X 24 (914 X 610)	19 9/16	10 (254)	12 (305)	14 (356)		TOP/REAR, END LEFT/RIGHT
36 X 36 (914 X 914)	19 9/16	10 (254)	12 (305)	14 (356)		TOP/REAR, END LEFT/RIGHT
36 X 48 (914 X 1219)	19 9/16	10 (254)	12 (305)	14 (356)		TOP/REAR, END LEFT/RIGHT
36 X 60 (914 X 1524)	19 9/16	10 (254)	12 (305)	14 (356)		TOP/REAR, END LEFT/RIGHT
36 X 72 (914 X 1829)	19 9/16	10 (254)	12 (305)	14 (356)		TOP/REAR, END LEFT/RIGHT
36 X 84 (914 X 2134)	19 9/16	10 (254)	12 (305)	14 (356)		TOP/REAR, END LEFT/RIGHT
36 X 96 (914 X 2438)	19 9/16	10 (254)	12 (305)	14 (356)		TOP/REAR, END LEFT/RIGHT



ALL METRIC DIMENSIONS () ARE SOFT CONVERTED. IMPERIAL DIMENSIONS ARE CONVERTED TO METRIC AND ROUNDED TO THE NEAREST MILLIMETER.

PROJECT:		  258868	DR90-H HORIZONTALLY MOUNTED QUARTER CIRCULAR DISPLACEMENT DIFFUSER
ENGINEER:			
CUSTOMER:			
SUBMITTAL DATE:	SPEC. SYMBOL:		

DR90-H HORIZONTALLY MOUNTED
QUARTER CIRCULAR DISPLACEMENT DIFFUSER

NOMINAL SIZE			
IMPERIAL (METRIC)			
DIA. X LENGTH	NOM DEPTH/HEIGHT	NOM INLET DUCT (RECTANGULAR)	INLET LOCATION (RECTANGULAR)
18 X 24 (457 X 610)	10 9/16	14 X 6 (356 X 152)	TOP/REAR,
18 X 36 (457 X 914)	10 9/16	14 X 6 (356 X 152)	TOP/REAR,
18 X 48 (457 X 1219)	10 9/16	14 X 6 (356 X 152)	TOP/REAR,
18 X 60 (457 X 1524)	10 9/16	20 X 6 (508 X 152)	TOP/REAR,
18 X 72 (457 X 1829)	10 9/16	20 X 6 (508 X 152)	TOP/REAR,
18 X 84 (457 X 2134)	10 9/16	20 X 6 (508 X 152)	TOP/REAR,
18 X 96 (457 X 2438)	10 9/16	20 X 6 (508 X 152)	TOP/REAR,
24 X 24 (610 X 610)	13 9/16	16 X 5 (406 X 127)	TOP/REAR,
24 X 36 (610 X 914)	13 9/16	16 X 5 (406 X 127)	TOP/REAR,
24 X 48 (610 X 1219)	13 9/16	16 X 8 (406 X 203)	TOP/REAR,
24 X 60 (610 X 1524)	13 9/16	16 X 8 (406 X 203)	TOP/REAR,
24 X 72 (610 X 1829)	13 9/16	24 X 8 (610 X 203)	TOP/REAR,
24 X 84 (610 X 2134)	13 9/16	24 X 8 (610 X 203)	TOP/REAR,
24 X 96 (610 X 2438)	13 9/16	24 X 8 (610 X 203)	TOP/REAR,
30 X 24 (762 X 610)	16 9/16	16 X 8 (406 X 203)	TOP/REAR,
30 X 36 (762 X 914)	16 9/16	16 X 8 (406 X 203)	TOP/REAR,
30 X 48 (762 X 1219)	16 9/16	16 X 8 (406 X 203)	TOP/REAR,
30 X 60 (762 X 1524)	16 9/16	24 X 8 (610 X 203)	TOP/REAR,
30 X 72 (762 X 1829)	16 9/16	24 X 8 (610 X 203)	TOP/REAR,
30 X 84 (762 X 2134)	16 9/16	24 X 10 (610 X 254)	TOP/REAR,
30 X 96 (762 X 2438)	16 9/16	24 X 10 (610 X 254)	TOP/REAR,
36 X 24 (914 X 610)	19 9/16	18 X 8 (457 X 203)	TOP/REAR,
36 X 36 (914 X 914)	19 9/16	24 X 8 (610 X 203)	TOP/REAR,
36 X 48 (914 X 1219)	19 9/16	24 X 8 (610 X 203)	TOP/REAR,
36 X 60 (914 X 1524)	19 9/16	24 X 10 (610 X 254)	TOP/REAR,
36 X 72 (914 X 1829)	19 9/16	24 X 10 (610 X 254)	TOP/REAR,
36 X 84 (914 X 2134)	19 9/16	24 X 10 (610 X 254)	TOP/REAR,
36 X 96 (914 X 2438)	19 9/16	24 X 10 (610 X 254)	TOP/REAR,

ALL METRIC DIMENSIONS () ARE SOFT CONVERTED. IMPERIAL DIMENSIONS ARE CONVERTED TO METRIC AND ROUNDED TO THE NEAREST MILLIMETER.

PROJECT:		
ENGINEER:		
CUSTOMER:		 258868
SUBMITTAL DATE:	SPEC. SYMBOL:	SEPT 2011

DR90-H
HORIZONTALLY MOUNTED
QUARTER CIRCULAR
DISPLACEMENT
DIFFUSER