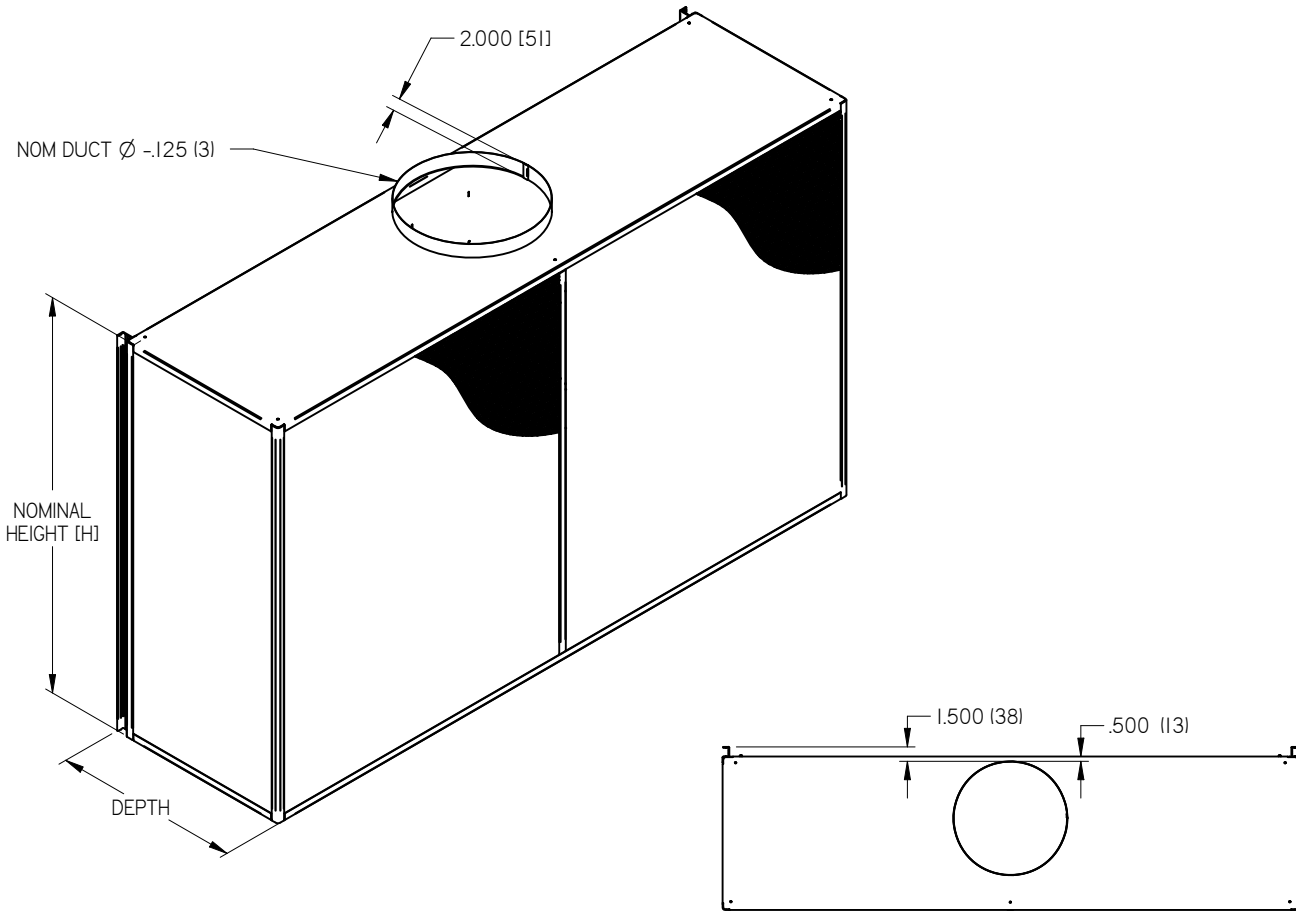


DF1 FLOOR RECTANGULAR DISPLACEMENT DIFFUSER



DIFFUSER:
STANDARD MATERIAL
 • PERFORATED FRONT PANEL 16 GA STEEL
 • SIDE, TOP, BOTTOM & REAR PANELS - 20- GA STEEL
 • FRAME - ALUMINUM

FINISH:
 • DIFFUSER B12 WHITE
 (OPTIONAL FINISHES AVAILABLE)

INSTALLATION:
 • SEE INSTALLATION MANUAL I100005

NOTE:
 • WIDTHS (W) EQUAL TO OR GREATER THAN 36" (915) WILL HAVE A CENTER MULLION.
 • ALL UNITS COME WITH INTERNAL BAFFLE

OPTIONAL ACCESSORIES:
 BASE SEE SUBMITTAL 241598
 DUCT COVER SEE SUBMITTAL 241598
 NO INLET OPTION SEE SUBMITTAL 255591

OPTIONAL INLET LOCATIONS:
 • AS LISTED ON SHEET 2
 • SIDE INLET OPTION SELECTION
 LS (LEFT SIDE)
 RS (RIGHT SIDE)



ALL METRIC DIMENSIONS () ARE SOFT CONVERTED. IMPERIAL DIMENSIONS ARE CONVERTED TO METRIC AND ROUNDED TO THE NEAREST MILLIMETER.

PROJECT:		PRICE	DF1 SERIES FLOOR MOUNTED DISPLACEMENT DIFFUSER
ENGINEER:			
CUSTOMER:		239990	
SUBMITTAL DATE:	SPEC. SYMBOL:	APRIL 2011	

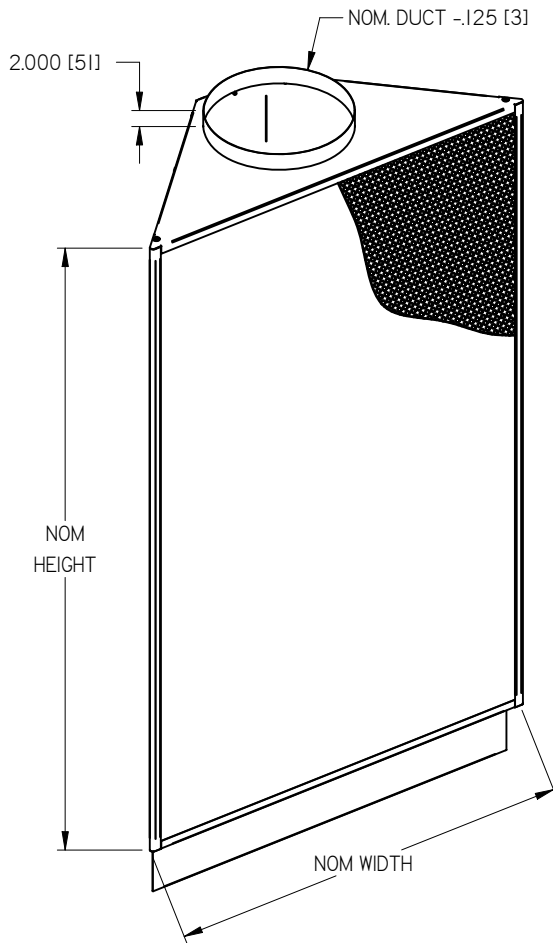
DF1 FLOOR RECTANGULAR DISPLACEMENT DIFFUSER

NOMINAL SIZE			
IMPERIAL (METRIC)			
W x H	DEPTH (D)	DUCT	INLET LOCATION
24 x 24 (610 x 610)	13 (330)	8 (204) 10 (254)	TOP / SIDE / BOTTOM / REAR
		14 x 6 (356x153)	TOP / SIDE / BOTTOM / REAR
24 x 36 (610 x 915)	13 (330)	8 (204) 10 (254)	TOP / SIDE / BOTTOM / REAR
		14 x 6 (356x153)	TOP / SIDE / BOTTOM / REAR
24 x 48 (610 x 1219)	13 (330)	8 (204) 10 (254)	TOP / SIDE / BOTTOM / REAR
		14 x 6 (356x153) 16 x 8 (407x204)	TOP / SIDE / BOTTOM / REAR
24 x 60 (610 x 1525)	13 (330)	8 (204) 10 (254)	TOP / SIDE / BOTTOM / REAR
		14 x 6 (356x153) 16 x 8 (407x204)	TOP / SIDE / BOTTOM / REAR
36 x 24 (915 x 610)	13 (330)	8 (204) 10 (254)	TOP / SIDE / BOTTOM / REAR
		14 x 6 (356x153)	TOP / SIDE / BOTTOM / REAR
	16 (407)	10 (254)	TOP / SIDE / BOTTOM / REAR
36 x 36 (915 x 915)	13 (330)	16 x 8 (407x204)	TOP / SIDE / BOTTOM / REAR
		8 (204) 10 (254)	TOP / SIDE / BOTTOM / REAR
	16 (407)	10 (254)	TOP / SIDE / BOTTOM / REAR
36 x 48 (915 x 1219)	13 (330)	16 x 8 (407x204)	TOP / SIDE / BOTTOM / REAR
		10 (254)	TOP / SIDE / BOTTOM / REAR
	16 (407)	12 (305)	TOP / SIDE / BOTTOM / REAR
36 x 60 (915 x 1525)	13 (330)	18 x 8 (458x204)	TOP / SIDE / BOTTOM / REAR
		10 (254)	TOP / SIDE / BOTTOM / REAR
	16 (407)	12 (305)	TOP / SIDE / BOTTOM / REAR
48 x 24 (1219 x 610)	13 (330)	16 x 8 (407x204) 18 x 8 (458x204) 24 x 8 (610x204)	TOP / SIDE / BOTTOM / REAR
		10 (254)	TOP / SIDE / BOTTOM / REAR
	16 (407)	10 (254)	TOP / SIDE / BOTTOM / REAR
48 x 36 (1219 x 915)	13 (330)	14 x 6 (356x153) 16 x 8 (407x204)	TOP / SIDE / BOTTOM / REAR
		10 (254)	TOP / SIDE / BOTTOM / REAR
	16 (407)	12 (305)	TOP / SIDE / BOTTOM / REAR
48 x 48 (1219 x 1219)	13 (330)	16 x 8 (407x204) 18 x 8 (458x204)	TOP / SIDE / BOTTOM / REAR
		10 (254)	TOP / SIDE / BOTTOM / REAR
	16 (407)	12 (305)	TOP / SIDE / BOTTOM / REAR
48 x 60 (1219 x 1525)	13 (330)	16 x 8 (407x204) 18 x 8 (458x204)	TOP / SIDE / BOTTOM / REAR
		10 (254)	TOP / SIDE / BOTTOM / REAR
	16 (407)	12 (305)	TOP / SIDE / BOTTOM / REAR
60 x 24 (1525 x 610)	13 (330)	16 x 8 (407x204) 18 x 8 (458x204)	TOP / SIDE / BOTTOM / REAR
		8 (204) 10 (254)	TOP / SIDE / BOTTOM / REAR
	16 (407)	10 (254)	TOP / SIDE / BOTTOM / REAR
60 x 36 (1525 x 915)	13 (330)	14 x 6 (356x153) 16 x 8 (407x204) 18 x 8 (458x204)	TOP / SIDE / BOTTOM / REAR
		10 (254)	TOP / SIDE / BOTTOM / REAR
	16 (407)	12 (305)	TOP / SIDE / BOTTOM / REAR
60 x 48 (1525 x 1219)	13 (330)	16 x 8 (407x204) 18 x 8 (458x204)	TOP / SIDE / BOTTOM / REAR
		10 (254)	TOP / SIDE / BOTTOM / REAR
	16 (407)	12 (305)	TOP / SIDE / BOTTOM / REAR

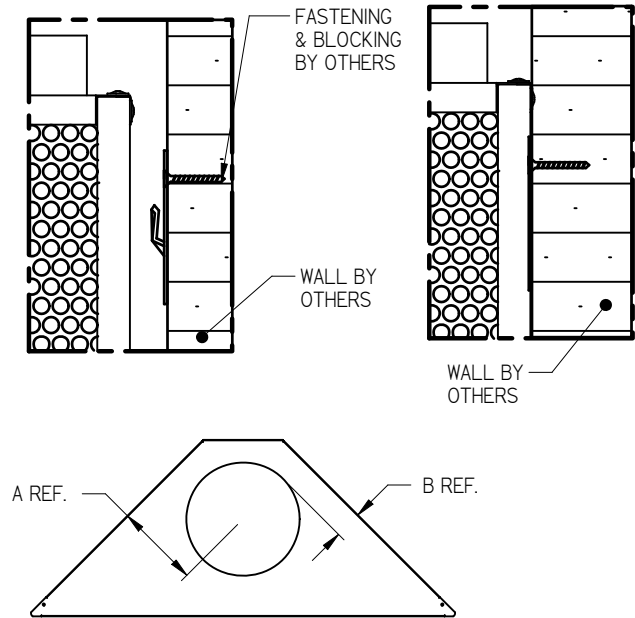
ALL METRIC DIMENSIONS () ARE SOFT CONVERTED. IMPERIAL DIMENSIONS ARE CONVERTED TO METRIC AND ROUNDED TO THE NEAREST MILLIMETER.

PROJECT:		 DF1 SERIES FLOOR MOUNTED DISPLACEMENT DIFFUSER
ENGINEER:		
CUSTOMER:		
SUBMITTAL DATE:		
SPEC. SYMBOL:		 239990
		APRIL 2011

DF1C FLOOR RECTANGULAR CORNER DISPLACEMENT DIFFUSER



SURFACE MOUNT DETAIL
SLIDE PLENUM ONTO WALL MOUNT PLATE



OPTIONAL ACCESSORIES:

- BASE SEE SUBMITTAL 243660
- DUCT COVER SEE SUBMITTAL 243660
- NO INLET OPTION SEE SUBMITTAL 255600

DIFFUSER:

STANDARD MATERIAL

- PERFORATED FRONT PANEL - 16 GA. STEEL
- SIDE, TOP AND BOTTOM PANELS - 20 GA STEEL
- FRAME - ALUMINUM

FINISH:

- DIFFUSER - B12 WHITE
- (OPTIONAL FINISHES AVAILABLE)

NOTE:

- FACTORY TOLERANCE +/- .031" (1)
- ALL UNITS COME WITH INTERNAL BAFFLE
- SEE INSTALLATION MANUAL I100008

NOMINAL SIZE				
METRIC				
W x H	DUCT	INLET LOCATION	A	B
24 x 24 (610 x 610)	8 (204)	TOP / BOT	4.596	0.659
24 x 36 (610 x 915)	8 (204)	TOP / BOT	4.596	0.659
24 x 48 (610 x 1219)	8 (204)	TOP / BOT	4.596	0.659
24 x 60 (610 x 1525)	8 (204)	TOP / BOT	4.596	0.659
24 x 72 (610 x 1829)	8 (204)	TOP / BOT	4.596	0.659
30 x 24 (762 x 610)	8 (204)	TOP / BOT	5.834	1.896
	10 (254)	TOP / BOT	5.834	0.896
30 x 36 (762 x 915)	8 (204)	TOP / BOT	5.834	1.896
	10 (254)	TOP / BOT	5.834	0.896
30 x 48 (762 x 1219)	10 (254)	TOP / BOT	5.834	0.896
30 x 60 (762 x 1525)	10 (254)	TOP / BOT	5.834	0.896
30 x 72 (762 x 1829)	10 (254)	TOP / BOT	5.834	0.896
36 x 24 (915 x 610)	8 (204)	TOP / BOT	6.718	2.780
	10 (254)	TOP / BOT	6.718	1.780
	12 (305)	TOP / BOT	6.718	0.780
36 x 36 (915 x 915)	12 (305)	TOP / BOT	6.718	0.780
36 x 48 (915 x 1219)	12 (305)	TOP / BOT	6.718	0.780
36 x 60 (915 x 1525)	12 (305)	TOP / BOT	6.718	0.780
36 x 72 (915 x 1829)	12 (305)	TOP / BOT	6.718	0.780

ALL METRIC DIMENSIONS () ARE SOFT CONVERTED. IMPERIAL DIMENSIONS ARE CONVERTED TO METRIC AND ROUNDED TO THE NEAREST MILLIMETER.


PROJECT:

ENGINEER:

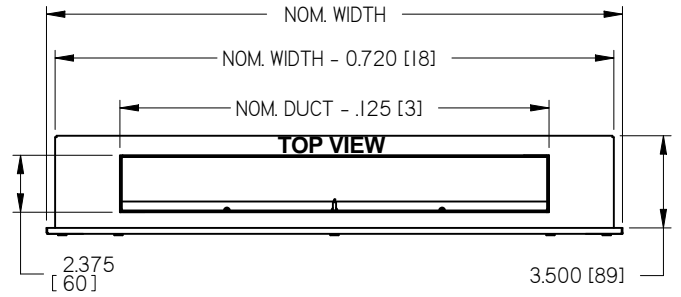
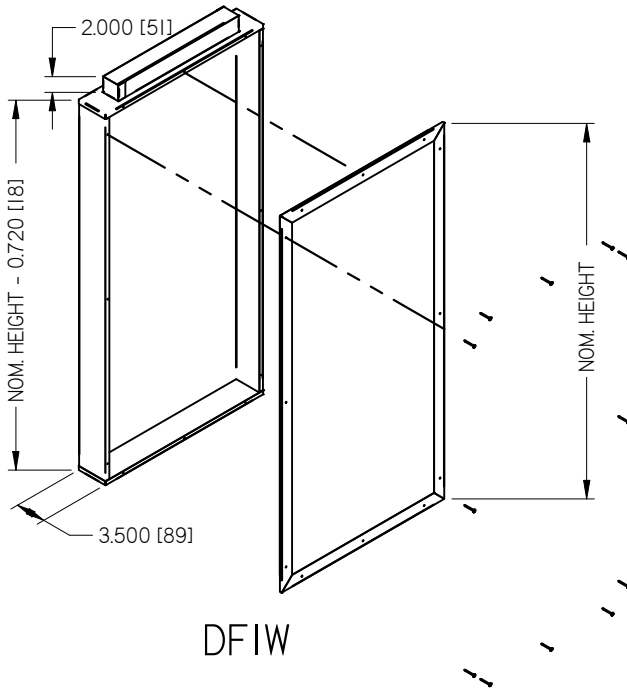
CUSTOMER:

SUBMITTAL DATE:

SPEC. SYMBOL:

PRICE	
	DF1C FLOOR MOUNTED RECTANGULAR CORNER DISPLACEMENT DIFFUSER W/ OPTIONAL BASE & COVER
243659	
SEPT 2010	

DF1W WALL RECTANGULAR DISPLACEMENT DIFFUSER



DF1W

SURFACE MOUNT

STANDARD MATERIAL:

- PERFORATED FRONT PANEL 18 GA. STEEL
- PLENUM - 24 GA STEEL
- FRAME - 20 GA. STEEL

FINISH

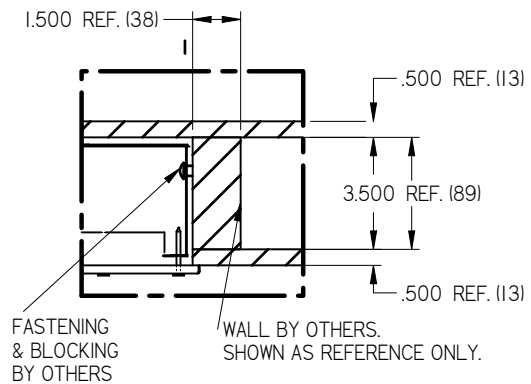
- DIFFUSER - B12 WHITE
(OPTIONAL FINISHES AVAILABLE)

NOTES:

- FACTORY TOLERANCE +/- 1/16" (2)
- SPOT WELD MARKS MAY BE VISIBLE ON SS OPTIONS
- ALL UNITS COME WITH INTERNAL BAFFLE
- REFERENCE INSTALLATION MANUAL I100002

OPTIONAL FEATURES

- OPTIONAL DIFFUSER FACE & FRAME • 304 STAINLESS STEEL
- OPTIONAL DIFFUSER FACE, FRAME, BAFFLE, & PLENUM • 304 STAINLESS STEEL
- OPTIONAL REMOVABLE DIFFUSER FACE WITH 1/4- 20 1 1/2" TH (TRUSS HEAD) STAINLESS STEEL SCREW
- OPTIONAL DD - DUCT DAMPER. VOLUME CONTROL. SEE PAGE TWO FOR REFERENCE
- OPTIONAL DS - DISPL. SENSOR. FLOW SENSOR

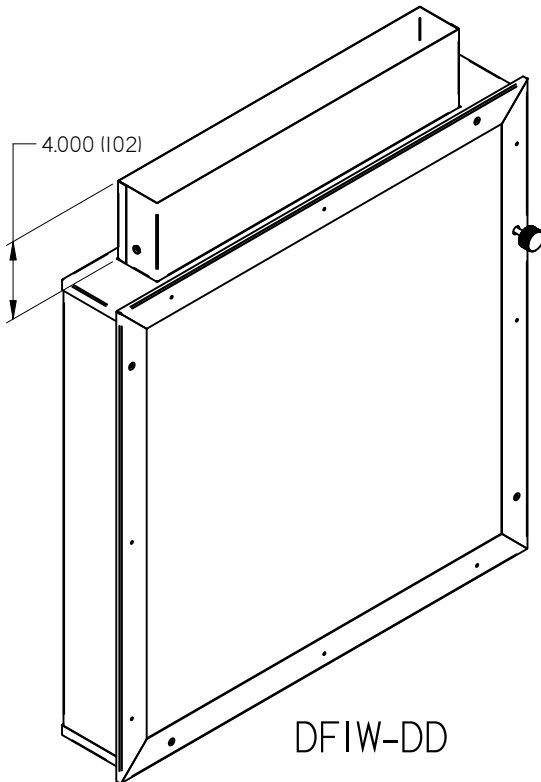


ALL METRIC DIMENSIONS () ARE SOFT CONVERTED. IMPERIAL DIMENSIONS ARE CONVERTED TO METRIC AND ROUNDED TO THE NEAREST MILLIMETER.


PROJECT:		PRICE	DF1W WALL MOUNTED DISPLACEMENT DIFFUSER
ENGINEER:			
CUSTOMER:		243445	
SUBMITTAL DATE:	SPEC. SYMBOL:	SEPT 2011	

DF1W WALL RECTANGULAR DISPLACEMENT DIFFUSER

NOMINAL SIZE		
IMPERIAL (METRIC)		
W x H	DUCT	NOM STUDS OC
15 x 24 (381 x 610)	2.5 x 12 (64 x 305)	16.000
15 x 30 (381 x 762)	2.5 x 12 (64 x 305)	16.000
15 x 36 (381 x 914)	2.5 x 12 (64 x 305)	16.000
15 x 48 (381 x 1216)	2.5 x 12 (64 x 305)	16.000
23 x 24 (584 x 610)	2.5 x 18 (64 x 457)	24.000
23 x 30 (584 x 762)	2.5 x 18 (64 x 457)	24.000
23 x 36 (584 x 914)	2.5 x 18 (64 x 457)	24.000
23 x 48 (584 x 1219)	2.5 x 18 (64 x 457)	24.000
24 x 24 (610 x 610)	2.5 x 18 (64 x 457)	25.000
24 x 30 (610 x 762)	2.5 x 18 (64 x 457)	25.000
24 x 36 (610 x 914)	2.5 x 18 (64 x 457)	25.000
24 x 48 (610 x 1219)	2.5 x 18 (64 x 457)	25.000
30 x 24 (762 x 610)	2.5 x 18 (64 x 457)	31.000
36 x 24 (914 x 610)	2.5 x 18 (64 x 457)	37.000
48 x 24 (1219 x 610)	2.5 x 18 (64 x 457)	49.000
23 x 24 (584 x 610)	2.5 x 20 (64 x 508)	24.000
23 x 30 (584 x 762)	2.5 x 20 (64 x 508)	24.000
23 x 36 (584 x 914)	2.5 x 20 (64 x 508)	24.000
23 x 48 (584 x 1219)	2.5 x 20 (64 x 508)	24.000
24 x 24 (610 x 610)	2.5 x 20 (64 x 508)	25.000
24 x 30 (610 x 762)	2.5 x 20 (64 x 508)	25.000
24 x 36 (610 x 914)	2.5 x 20 (64 x 508)	25.000
24 x 48 (610 x 1219)	2.5 x 20 (64 x 508)	25.000
30 x 24 (762 x 610)	2.5 x 20 (64 x 508)	31.000
36 x 24 (914 x 610)	2.5 x 20 (64 x 508)	37.000
48 x 24 (1219 x 610)	2.5 x 20 (64 x 508)	49.000

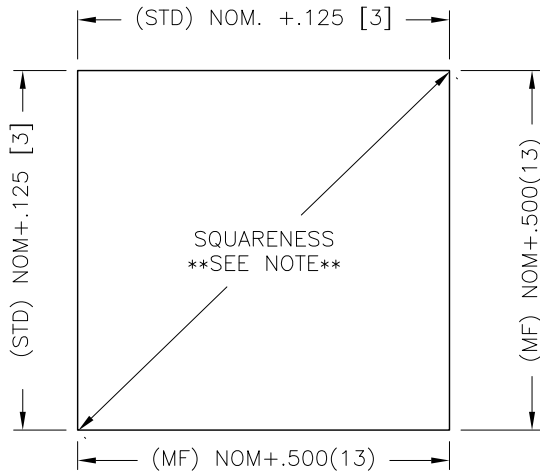


ALL METRIC DIMENSIONS () ARE SOFT CONVERTED. IMPERIAL DIMENSIONS ARE CONVERTED TO METRIC AND ROUNDED TO THE NEAREST MILLIMETER.

PROJECT:		price
ENGINEER:		
CUSTOMER:		 243445
SUBMITTAL DATE:		SEPT 2011
SPEC. SYMBOL:		DF1W WALL MOUNTED DISPLACEMENT DIFFUSER

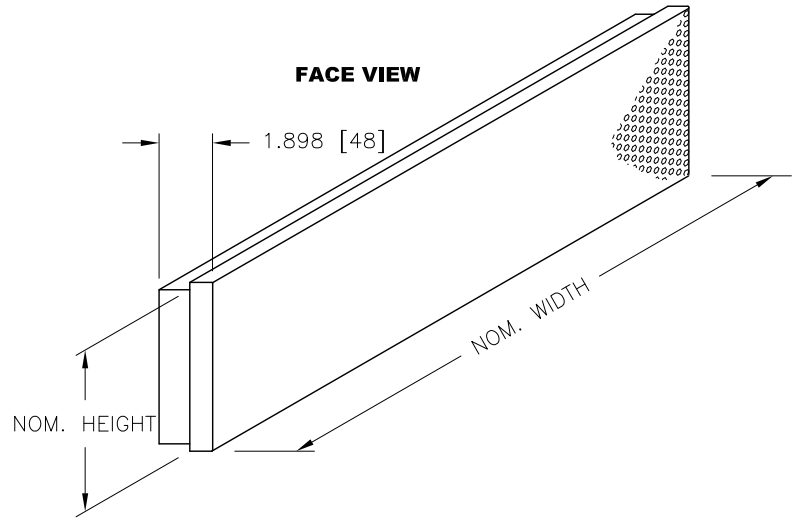
DF1R RECESSED DISPLACEMENT DIFFUSER

OPENING DETAIL

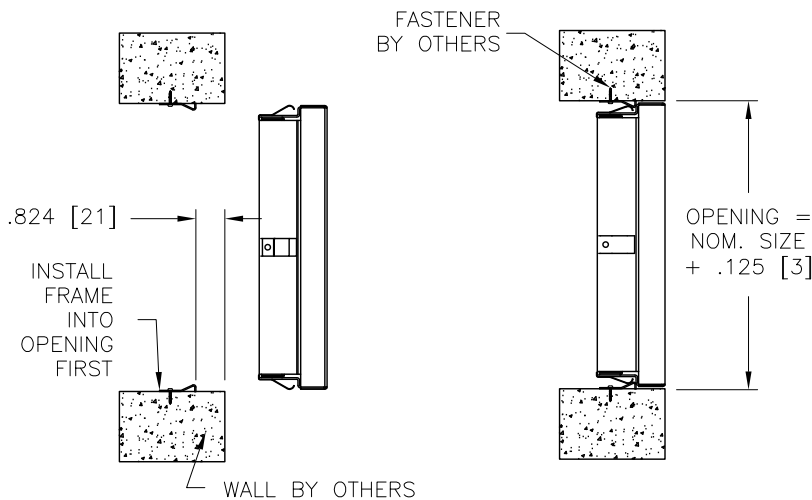


DIFFERENCE BETWEEN DIAGONALS
CANNOT EXCEED .172" [4]

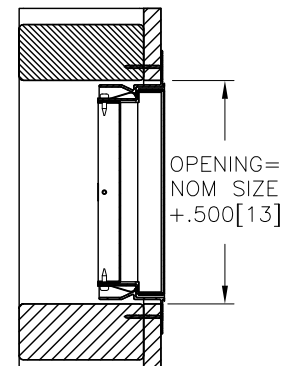
FACE VIEW



STANDARD SURFACE MOUNT DETAIL



OPTIONAL MUD FRAME (MF) MOUNTING DETAIL



DIFFUSER:

STANDARD MATERIAL

- PERFORATED FRONT PANEL – 18 GA. STEEL.
- INSTALLATION FRAME – 24 GA. STEEL.

FINISH

- DIFFUSER – B12 WHITE (OPTIONAL FINISHES AVAILABLE)

NOTE:

- FACTORY TOLERANCE:
- OVERALL FACE DIMENSIONS ± .063 [2]
- SQUARENESS ± .086 [2] OF PERFECT SQUARE
- ALL UNITS COME WITH INTERNAL BAFFLE

OPTIONAL:

- MF – MUD FRAME, ALUM EXTRUSION

SIZES

- MINIMUM 6"X4" [152 X 102]
- MAXIMUM 60"X42" [1524 X 1067]
- DIFFUSERS OF LARGER SIZES SUPPLIED IN MULTIPLE SECTIONS

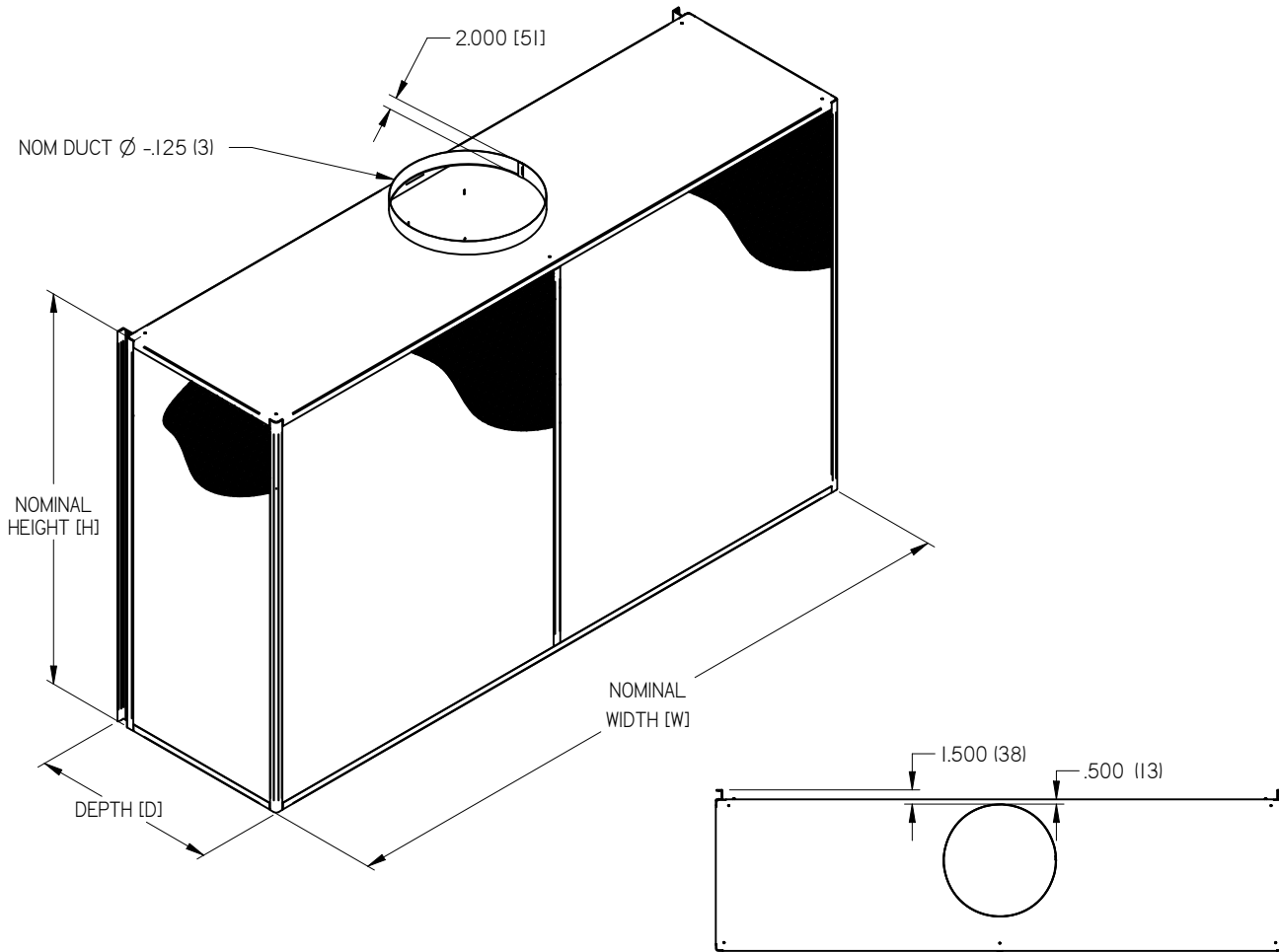
INSTALLATION

- INSTALLATION MANUAL I100015

ALL METRIC DIMENSIONS () ARE SOFT CONVERTED. IMPERIAL DIMENSIONS ARE CONVERTED TO METRIC AND ROUNDED TO THE NEAREST MILLIMETER.

PROJECT:		PRICE [®]	
ENGINEER:		RV	DF1R RECESSED DISPLACEMENT DIFFUSER
CUSTOMER:		239993	
SUBMITTAL DATE:	SPEC. SYMBOL:	JULY 2011	

DF3 FLOOR RECTANGULAR DISPLACEMENT DIFFUSER



DIFFUSER:

STANDARD MATERIAL

- PERFORATED FRONT & SIDE PANEL 16 GA STEEL
- TOP, BOTTOM & REAR PANELS - 20- GA STEEL
- FRAME - ALUMINUM EXTRUSION

FINISH:

- DIFFUSER B12 WHITE (OPTIONAL FINISHES AVAILABLE)

INSTALLATION:

- SEE INSTALLATION MANUEL I100005

NOTE:

- WIDTHS (W) EQUAL TO OR GREATER THAN 36" (915) WILL HAVE A CENTER MULLION.
- ALL UNITS COME WITH INTERNAL BAFFLE



OPTIONAL ACCESSORIES:

- BASE SEE SUBMITTAL 241598
- DUCT COVER SEE SUBMITTAL 241598
- NO INLET OPTION SEE SUBMITTAL 255592

OPTIONAL INLET LOCATIONS:

- AS LISTED ON SHEET 2

ALL METRIC DIMENSIONS () ARE SOFT CONVERTED. IMPERIAL DIMENSIONS ARE CONVERTED TO METRIC AND ROUNDED TO THE NEAREST MILLIMETER.

PROJECT:		 DF3 SERIES FLOOR MOUNTED DISPLACEMENT DIFFUSER
ENGINEER:		
CUSTOMER:		
SUBMITTAL DATE:		
SPEC. SYMBOL:		 239997
		APRIL 2011

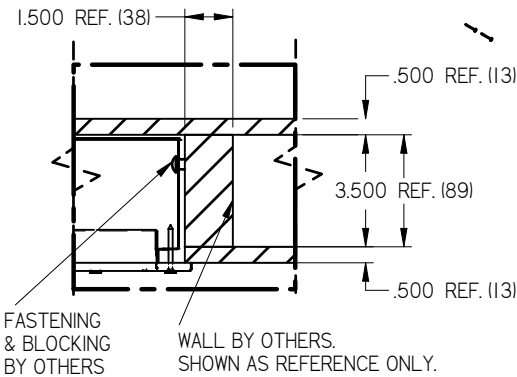
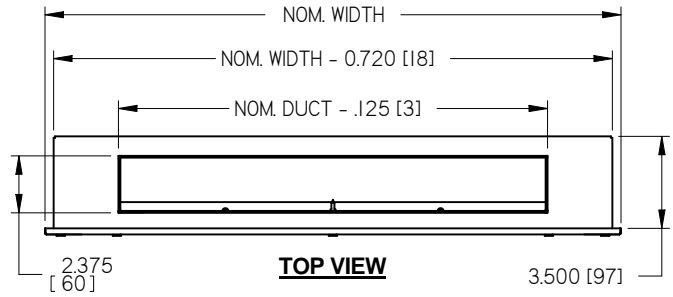
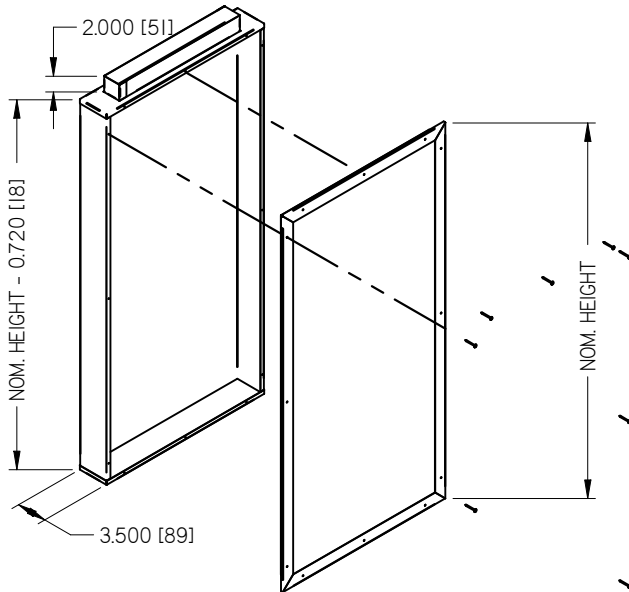
DF3 FLOOR RECTANGULAR DISPLACEMENT DIFFUSER

NOMINAL SIZE			
IMPERIAL (METRIC)			
W x H	DEPTH (D)	DUCT	INLET LOCATION
24 x 24 (610 x 610)	13 (330)	8 (204) 10 (254)	TOP / BOTTOM / REAR
		14 x 6 (356x153)	TOP / BOTTOM / REAR
24 x 36 (610 x 915)	13 (330)	8 (204) 10 (254)	TOP / BOTTOM / REAR
		14 x 6 (356x153)	TOP / BOTTOM / REAR
24 x 48 (610 x 1219)	13 (330)	8 (204) 10 (254)	TOP / BOTTOM / REAR
		14 x 6 (356x153) 16 x 8 (407x204)	TOP / BOTTOM / REAR
24 x 60 (610 x 1525)	13 (330)	8 (204) 10 (254)	TOP / BOTTOM / REAR
		14 x 6 (356x153) 16 x 8 (407x204)	TOP / BOTTOM / REAR
36 x 24 (915 x 610)	13 (330)	8 (204) 10 (254)	TOP / BOTTOM / REAR
		14 x 6 (356x153)	TOP / BOTTOM / REAR
	16 (407)	10 (254)	TOP / BOTTOM / REAR
36 x 36 (915 x 915)	13 (330)	8 (204) 10 (254)	TOP / BOTTOM / REAR
		14 x 6 (356x153)	TOP / BOTTOM / REAR
	16 (407)	10 (254)	TOP / BOTTOM / REAR
36 x 48 (915 x 1219)	13 (330)	10 (254)	TOP / BOTTOM / REAR
		16 x 8 (407x204)	TOP / BOTTOM / REAR
	16 (407)	10 (254) 12 (305)	TOP / BOTTOM / REAR
36 x 60 (915 x 1525)	13 (330)	10 (254)	TOP / BOTTOM / REAR
		16 x 8 (407x204)	TOP / BOTTOM / REAR
	16 (407)	10 (254) 12 (305)	TOP / BOTTOM / REAR
48 x 24 (1219 x 610)	13 (330)	8 (204) 10 (254)	TOP / BOTTOM / REAR
		14 x 6 (356x153)	TOP / BOTTOM / REAR
	16 (407)	10 (254)	TOP / BOTTOM / REAR
48 x 36 (1219 x 915)	13 (330)	14 x 6 (356x153) 16 x 8 (407x204)	TOP / BOTTOM / REAR
		10 (254)	TOP / BOTTOM / REAR
	16 (407)	10 (254) 12 (305)	TOP / BOTTOM / REAR
48 x 48 (1219 x 1219)	13 (330)	16 x 8 (407x204) 18 x 8 (458x204)	TOP / BOTTOM / REAR
		10 (254)	TOP / BOTTOM / REAR
	16 (407)	10 (254) 12 (305)	TOP / BOTTOM / REAR
48 x 60 (1219 x 1525)	13 (330)	16 x 8 (407x204) 18 x 8 (458x204)	TOP / BOTTOM / REAR
		14 x 6 (356x153)	TOP / BOTTOM / REAR
	16 (407)	10 (254) 12 (305)	TOP / BOTTOM / REAR
		14 (356)	REAR
17 (432)	16 x 8 (407x204) 18 x 8 (458x204) 20 x 10 (508x254)	TOP / BOTTOM / REAR	
60 x 24 (1525 x 610)	13 (330)	14 (356)	TOP / BOTTOM
		8 (204) 10 (254)	TOP / BOTTOM / REAR
	16 (407)	16 x 8 (407x204)	TOP / BOTTOM / REAR
60 x 36 (1525 x 915)	13 (330)	10 (254) 12 (305)	TOP / BOTTOM / REAR
		14 x 6 (356x153) 16 x 8 (407x204) 18 x 8 (458x204)	TOP / BOTTOM / REAR
	16 (407)	10 (254)	TOP / BOTTOM / REAR
		14 (356)	REAR
17 (432)	16 x 8 (407x204) 18 x 8 (458x204) 20 x 10 (508x254)	TOP / BOTTOM / REAR	
60 x 48 (1525 x 1219)	13 (330)	16 x 8 (407x204) 18 x 8 (458x204) 20 x 10 (508x254)	TOP / BOTTOM / REAR
		10 (254)	TOP / BOTTOM / REAR
	16 (407)	10 (254) 12 (305)	TOP / BOTTOM / REAR
		14 (356)	REAR
17 (432)	16 x 8 (407x204) 18 x 8 (458x204) 20 x 10 (508x254)	TOP / BOTTOM / REAR	

ALL METRIC DIMENSIONS () ARE SOFT CONVERTED. IMPERIAL DIMENSIONS ARE CONVERTED TO METRIC AND ROUNDED TO THE NEAREST MILLIMETER.

PROJECT:		 DF3 SERIES FLOOR MOUNTED DISPLACEMENT DIFFUSER
ENGINEER:		
CUSTOMER:		
SUBMITTAL DATE:		
SPEC. SYMBOL:		 239997
		APRIL 2011

DF1WSS WALL RECTANGULAR DISPLACEMENT DIFFUSER



SURFACE MOUNT

STANDARD MATERIAL:

- PERFORATED FRONT PANEL - 18 GA. STAINLESS STEEL.
- FRAMES - 20 GA. STAINLESS STEEL
- PLENUM - 24 GA. STAINLESS STEEL.

FINISH

- DIFFUSER - #4 FINISH ON ALL EXPOSED SURFACES

NOTES:

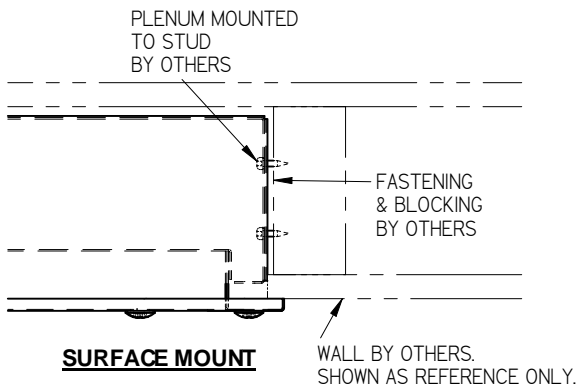
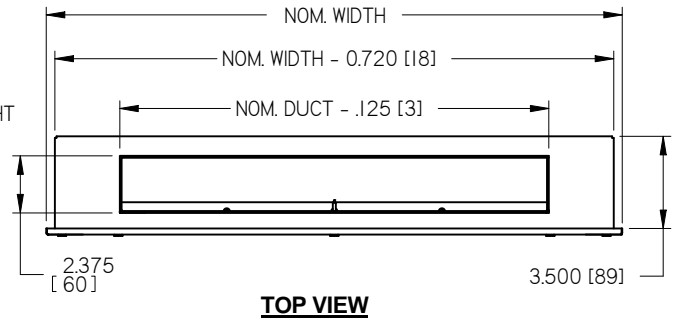
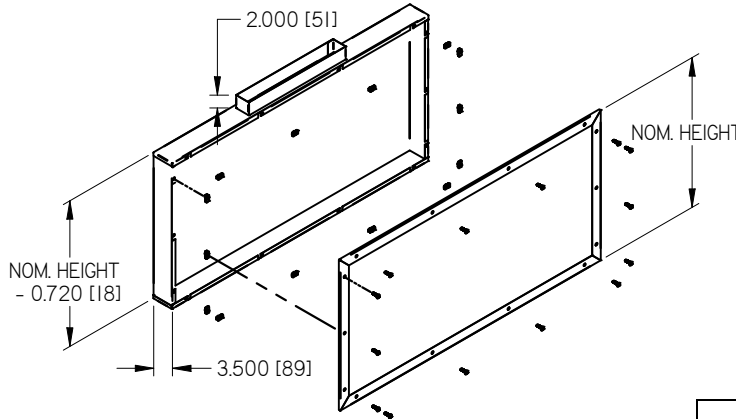
- FACTORY TOLERANCE +/- 1/16" (2)
- SPOT WELD MARKS MAY BE VISIBLE
- ALL UNITS COME WITH INTERNAL BAFFLE
- INSTALLATION MANUAL I100002

NOMINAL SIZE		
IMPERIAL (METRIC)		
W x H	DUCT	NOM STUDS OC
15 x 24 (381 x 610)	2.5 x 12 (64 x 305)	16.000
15 x 30 (381 x 762)	2.5 x 12 (64 x 305)	16.000
15 x 36 (381 x 914)	2.5 x 12 (64 x 305)	16.000
15 x 48 (381 x 1216)	2.5 x 12 (64 x 305)	16.000
23 x 24 (584 x 610)	2.5 x 18 (64 x 457)	24.000
23 x 30 (584 x 762)	2.5 x 18 (64 x 457)	24.000
23 x 36 (584 x 914)	2.5 x 18 (64 x 457)	24.000
23 x 48 (584 x 1219)	2.5 x 18 (64 x 457)	24.000
24 x 24 (610 x 610)	2.5 x 18 (64 x 457)	25.000
24 x 30 (610 x 762)	2.5 x 18 (64 x 457)	25.000
24 x 36 (610 x 914)	2.5 x 18 (64 x 457)	25.000
24 x 48 (610 x 1219)	2.5 x 18 (64 x 457)	25.000
30 x 24 (762 x 610)	2.5 x 18 (64 x 457)	31.000
36 x 24 (914 x 610)	2.5 x 18 (64 x 457)	37.000
48 x 24 (1219 x 610)	2.5 x 18 (64 x 457)	49.000
23 x 24 (584 x 610)	2.5 x 20 (64 x 508)	24.000
23 x 30 (584 x 762)	2.5 x 20 (64 x 508)	24.000
23 x 36 (584 x 914)	2.5 x 20 (64 x 508)	24.000
23 x 48 (584 x 1219)	2.5 x 20 (64 x 508)	24.000
24 x 24 (610 x 610)	2.5 x 20 (64 x 508)	25.000
24 x 30 (610 x 762)	2.5 x 20 (64 x 508)	25.000
24 x 36 (610 x 914)	2.5 x 20 (64 x 508)	25.000
24 x 48 (610 x 1219)	2.5 x 20 (64 x 508)	25.000
30 x 24 (762 x 610)	2.5 x 20 (64 x 508)	31.000
36 x 24 (914 x 610)	2.5 x 20 (64 x 508)	37.000
48 x 24 (1219 x 610)	2.5 x 20 (64 x 508)	49.000

ALL METRIC DIMENSIONS () ARE SOFT CONVERTED. IMPERIAL DIMENSIONS ARE CONVERTED TO METRIC AND ROUNDED TO THE NEAREST MILLIMETER.

PROJECT:		PRICE
ENGINEER:		
CUSTOMER:		244656
SUBMITTAL DATE:		SEPT 2010
SPEC. SYMBOL:		DF1WSS WALL MOUNTED DISPLACEMENT DIFFUSER STAINLESS STEEL

PURAFLO



NOMINAL SIZE		
IMPERIAL (METRIC)		
W x H	DUCT	NOM STUDS OC
15 x 24 (381 x 610)	2.5 x 12 (64 x 305)	16.000
15 x 30 (381 x 762)	2.5 x 12 (64 x 305)	16.000
15 x 36 (381 x 914)	2.5 x 12 (64 x 305)	16.000
15 x 48 (381 x 1216)	2.5 x 12 (64 x 305)	16.000
23 x 24 (584 x 610)	2.5 x 18 (64 x 457)	24.000
23 x 30 (584 x 762)	2.5 x 18 (64 x 457)	24.000
23 x 36 (584 x 914)	2.5 x 18 (64 x 457)	24.000
23 x 48 (584 x 1219)	2.5 x 18 (64 x 457)	24.000
24 x 24 (610 x 610)	2.5 x 18 (64 x 457)	25.000
24 x 30 (610 x 762)	2.5 x 18 (64 x 457)	25.000
24 x 36 (610 x 914)	2.5 x 18 (64 x 457)	25.000
24 x 48 (610 x 1219)	2.5 x 18 (64 x 457)	25.000
30 x 24 (762 x 610)	2.5 x 18 (64 x 457)	31.000
36 x 24 (914 x 610)	2.5 x 18 (64 x 457)	37.000
48 x 24 (1219 x 610)	2.5 x 18 (64 x 457)	49.000
23 x 24 (584 x 610)	2.5 x 20 (64 x 508)	24.000
23 x 30 (584 x 762)	2.5 x 20 (64 x 508)	24.000
23 x 36 (584 x 914)	2.5 x 20 (64 x 508)	24.000
23 x 48 (584 x 1219)	2.5 x 20 (64 x 508)	24.000
24 x 24 (610 x 610)	2.5 x 20 (64 x 508)	25.000
24 x 30 (610 x 762)	2.5 x 20 (64 x 508)	25.000
24 x 36 (610 x 914)	2.5 x 20 (64 x 508)	25.000
24 x 48 (610 x 1219)	2.5 x 20 (64 x 508)	25.000
30 x 24 (762 x 610)	2.5 x 20 (64 x 508)	31.000
36 x 24 (914 x 610)	2.5 x 20 (64 x 508)	37.000
48 x 24 (1219 x 610)	2.5 x 20 (64 x 508)	49.000

STANDARD MATERIAL:

- PERFORATED FRONT PANEL 18 GA. STEEL
- PLENUM - 24 GA STEEL.
- FRAME - 20 GA. STEEL
- TRUSS HEAD / MACHINE SCREWS STAINLESS STEEL

FINISH

- DIFFUSER - B12 WHITE (OPTIONAL FINISHES AVAILABLE)



NOTES:

- FACTORY TOLERANCE +/- 1/16" (2)
- SPOT WELD MARKS MAY BE VISIBLE
- ALL UNITS COME WITH INTERNAL BAFFLE
- INSTALLATION MANUAL II00025

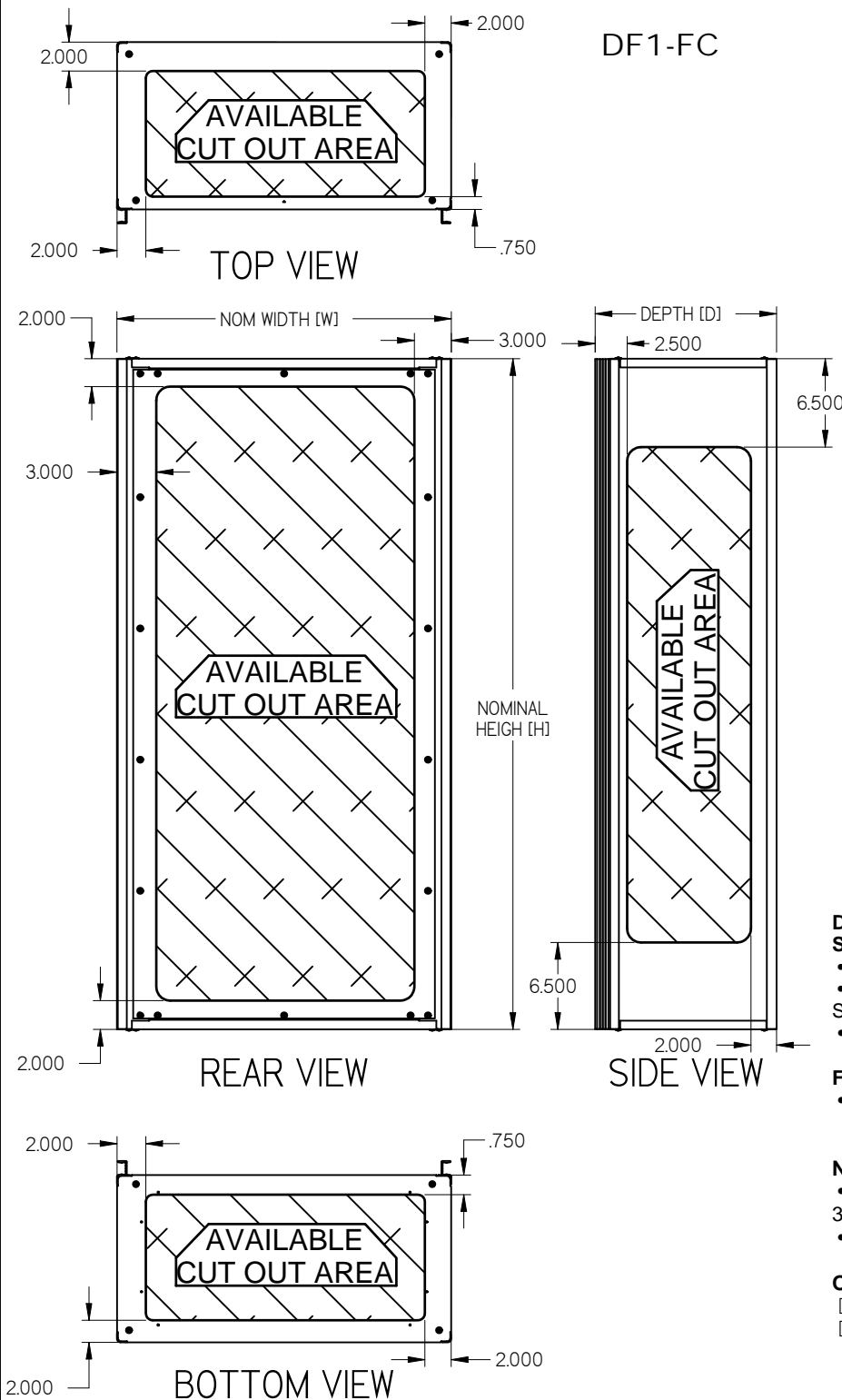
OPTIONAL FEATURES

- SSF - DIFFUSER FACE & FRAME • 304 STAINLESS STEEL
- TPS - TAMPER PROOF TRUSS HEAD SCREWS • STAINLESS STEEL

ALL METRIC DIMENSIONS () ARE SOFT CONVERTED. IMPERIAL DIMENSIONS ARE CONVERTED TO METRIC AND ROUNDED TO THE NEAREST MILLIMETER.

PROJECT:		 PURAFLO® WALL MOUNTED DISPLACEMENT DIFFUSER
ENGINEER:		
CUSTOMER:		
SUBMITTAL DATE:		
SPEC. SYMBOL:		 252408 SEPT 2011

DF1-FC



NOMINAL SIZE	
IMPERIAL (METRIC)	
W x H	DEPTH (D)
24 x 24 (610 x 610)	13 (330)
24 x 36 (610 x 915)	13 (330)
24 x 48 (610 x 1219)	13 (330)
24 x 60 (610 x 1525)	13 (330)
36 x 24 (915 x 610)	13 (330)
	16 (407)
36 x 36 (915 x 915)	13 (330)
	16 (407)
36 x 48 (915 x 1219)	13 (330)
	16 (407)
36 x 60 (915 x 1525)	13 (330)
	16 (407)
48 x 24 (1219 x 610)	13 (330)
	16 (407)
48 x 36 (1219 x 915)	13 (330)
	16 (407)
48 x 48 (1219 x 1219)	13 (330)
	16 (407)
48 x 60 (1219 x 1525)	13 (330)
	16 (407)
60 x 24 (1525 x 610)	13 (330)
	16 (407)
60 x 36 (1525 x 915)	13 (330)
	16 (407)
60 x 48 (1525 x 1219)	13 (330)
	16 (407)

DIFFUSER:
STANDARD MATERIAL
 • PERFORATED FRONT PANEL 16 GA STEEL
 • SIDE, TOP, BOTTOM & REAR PANELS - 20- GA STEEL
 • FRAME - ALUMINUM

FINISH:
 • DIFFUSER B12 WHITE
 (OPTIONAL FINISHES AVAILABLE)

NOTE:
 • WIDTHS (W) EQUAL TO OR GREATER THAN 36" (915) WILL HAVE A CENTER MULLION.
 • ALL UNITS COME WITH INTERNAL BAFFLE

OPTIONAL ACCESSORIES:
 BASE SEE SUBMITTAL 241598
 DUCT COVER SEE SUBMITTAL 241598

ALL METRIC DIMENSIONS () ARE SOFT CONVERTED. IMPERIAL DIMENSIONS ARE CONVERTED TO METRIC AND ROUNDED TO THE NEAREST MILLIMETER.

PROJECT:		PRICE
ENGINEER:		
CUSTOMER:		255591
SUBMITTAL DATE:		SEPT 2010
SPEC. SYMBOL:		DF1-FC FLOOR MOUNTED DISPLACEMENT DIFFUSER FIELD CUT OPTION

DF3-FC

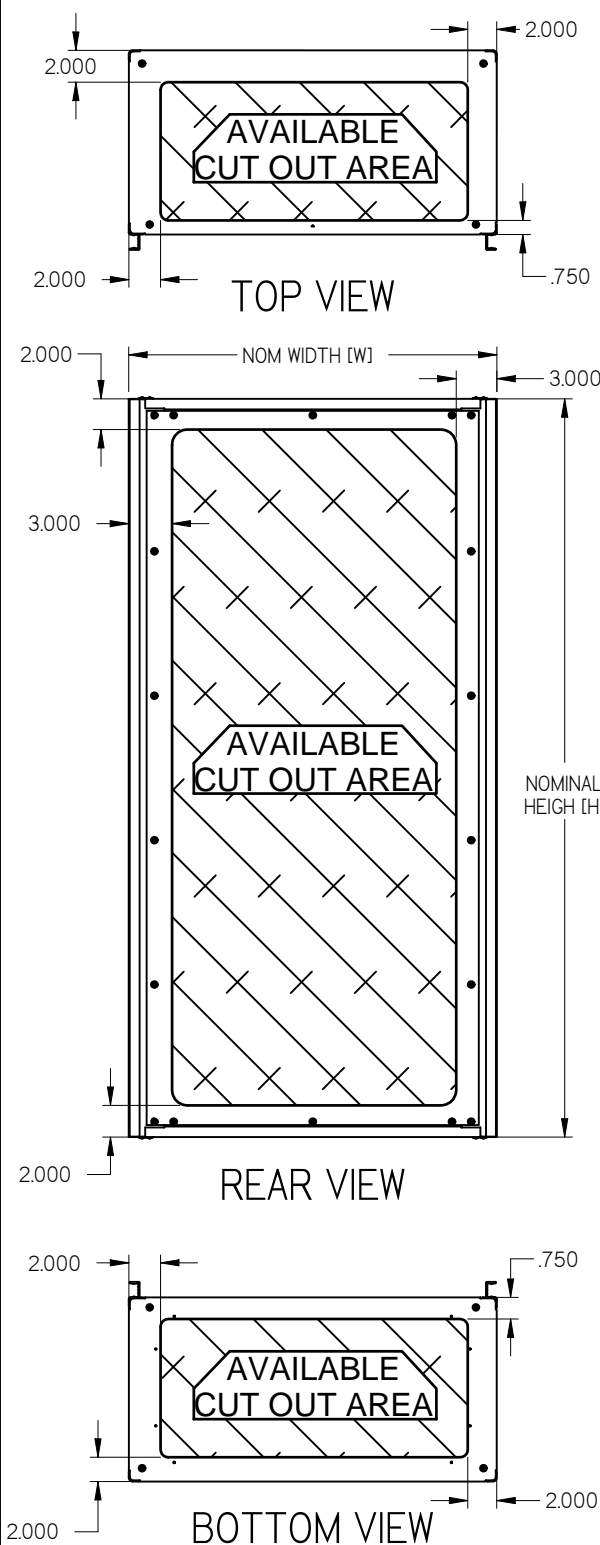
NOMINAL SIZE	
IMPERIAL (METRIC)	
W x H	DEPTH (D)
24 x 24 (610 x 610)	13 (330)
24 x 36 (610 x 915)	13 (330)
24 x 48 (610 x 1219)	13 (330)
24 x 60 (610 x 1525)	13 (330)
36 x 24 (915 x 610)	13 (330)
	16 (407)
36 x 36 (915 x 915)	13 (330)
	16 (407)
36 x 48 (915 x 1219)	13 (330)
	16 (407)
36 x 60 (915 x 1525)	13 (330)
	16 (407)
48 x 24 (1219 x 610)	13 (330)
	16 (407)
48 x 36 (1219 x 915)	13 (330)
	16 (407)
48 x 48 (1219 x 1219)	13 (330)
	16 (407)
48 x 60 (1219 x 1525)	13 (330)
	16 (407)
60 x 24 (1525 x 610)	13 (330)
	16 (407)
60 x 36 (1525 x 915)	13 (330)
	16 (407)
60 x 48 (1525 x 1219)	13 (330)
	16 (407)

- DIFFUSER:**
STANDARD MATERIAL
- PERFORATED FRONT & SIDE PANELS 16 GA STEEL
 - TOP, BOTTOM & REAR PANELS - 20- GA STEEL
 - FRAME - ALUMINUM



- FINISH:**
- DIFFUSER B12 WHITE (OPTIONAL FINISHES AVAILABLE)

- NOTE:**
- WIDTHS (W) EQUAL TO OR GREATER THAN 36" (915) WILL HAVE A CENTER MULLION.
 - ALL UNITS COME WITH INTERNAL BAFFLE

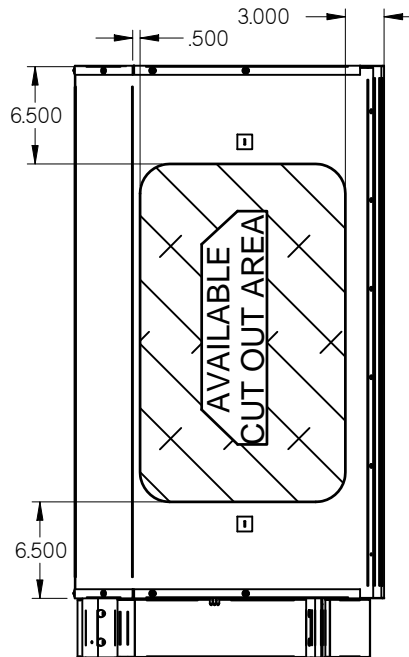
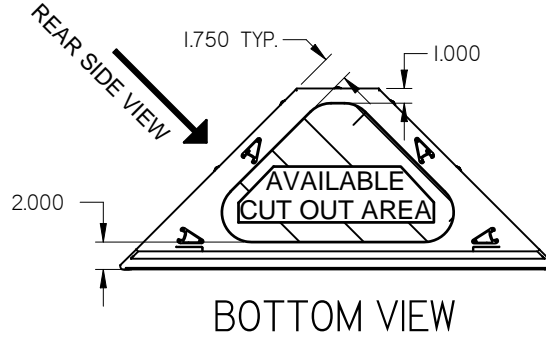
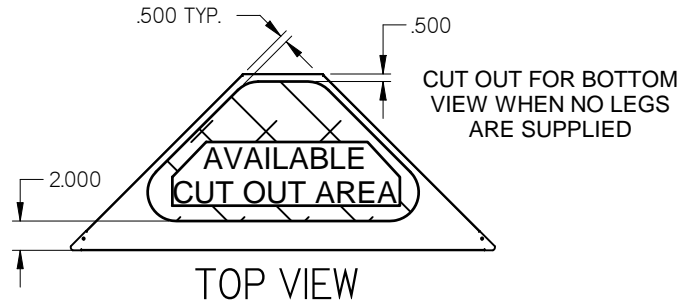
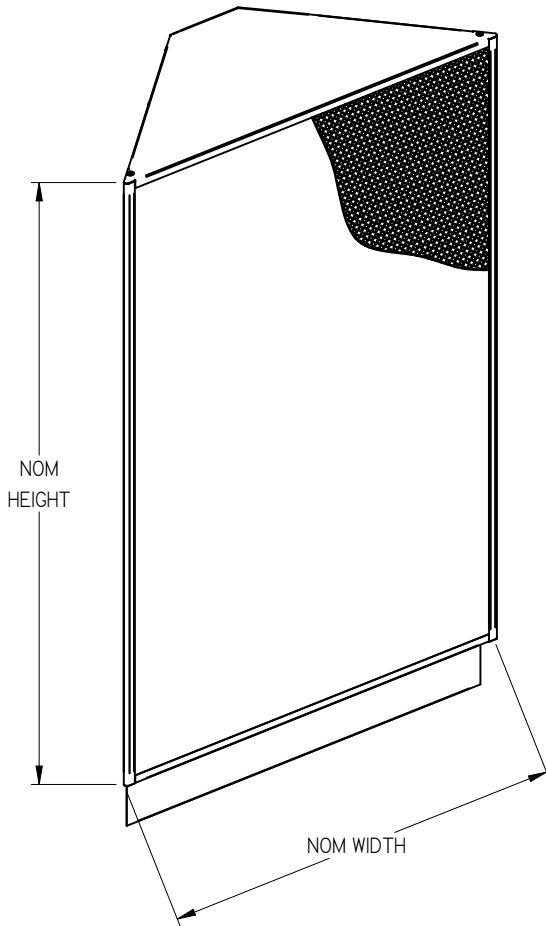
- OPTIONAL ACCESSORIES:**
- BASE SEE SUBMITTAL 241598
 - DUCT COVER SEE SUBMITTAL 241598



ALL METRIC DIMENSIONS () ARE SOFT CONVERTED. IMPERIAL DIMENSIONS ARE CONVERTED TO METRIC AND ROUNDED TO THE NEAREST MILLIMETER.

PROJECT:		
ENGINEER:		
CUSTOMER:		
SUBMITTAL DATE:		255592
SPEC. SYMBOL:		DF3-FC FIELD CUT OPTION
		SEPT 2010

DF1C-FC FLOOR RECTANGULAR CORNER DISPLACEMENT DIFFUSER



NOMINAL SIZE
METRIC
W x H
24 x 24 (610 x 610)
24 x 36 (610 x 915)
24 x 48 (610 x 1219)
24 x 60 (610 x 1525)
24 x 72 (610 x 1829)
30 x 24 (762 x 610)
30 x 36 (762 x 915)
30 x 48 (762 x 1219)
30 x 60 (762 x 1525)
30 x 72 (762 x 1829)
36 x 24 (915 x 610)
36 x 36 (915 x 915)
36 x 48 (915 x 1219)
36 x 60 (915 x 1525)
36 x 72 (915 x 1829)

OPTIONAL ACCESSORIES:

- BASE SEE SUBMITTAL 243660
- DUCT COVER SEE SUBMITTAL 243660

DIFFUSER:

STANDARD MATERIAL

- PERFORATED FRONT PANEL - 16 GA. STEEL
- SIDE, TOP AND BOTTOM PANELS - 20 GA STEEL
- FRAME - ALUMINUM

FINISH:

- DIFFUSER - B12 WHITE
- (OPTIONAL FINISHES AVAILABLE)

NOTE:

- FACTORY TOLERANCE +/- .031" (1)
- ALL UNITS COME WITH INTERNAL BAFFLE
- SEE INSTALLATION MANUAL II00008

ALL METRIC DIMENSIONS () ARE SOFT CONVERTED. IMPERIAL DIMENSIONS ARE CONVERTED TO METRIC AND ROUNDED TO THE NEAREST MILLIMETER.

PROJECT:		price
ENGINEER:		
CUSTOMER:		255600
SUBMITTAL DATE:	SPEC. SYMBOL:	SEPT 2010

**DF1C-FC
FLOOR MOUNTED
RECTANGULAR CORNER
DISPLACEMENT DIFFUSER
W/ OPTIONAL BASE & COVER**

Solid Edge