

**NOTES:**

- TOTAL CONNECTED LOAD NOT TO EXCEED 2 AMPS (MAXIMUM 12 LFG/RFB)
- POWER, DAMPER POSITION, AND OUTPUT STATUS LEDS
- FACTORY TOLERANCE +/- 1/32" (1)
- PLASTIC BASE (FIRE RATED)

**APPLICATION:**

- INPUT SIGNAL FROM DDC CONTROLLER (NO THERMOSTAT) (0-10VDC COOLING, 0-10VDC HEATING)
- PIC-TS-SENS PRICE ROOM SENSOR THERMOSTAT (SEE SUBMITTAL 250050-100)
- PIC-TS-DIAL PRICE DIAL THERMOSTAT (SEE SUBMITTAL 250051-100)
- PIC-TS-LCD PRICE LCD THERMOSTAT (CELCIUS OR FAHRENHEIT OPTION) (SEE SUBMITTAL 250052-100)
- PIC-TS-MOTION PRICE MOTION SENSOR WITH LCD THERMOSTAT (CELCIUS OR FAHRENHEIT OPTION) (SEE SUBMITTAL 250053-100)

- THERMISTOR(S):  THERMISTOR 1  
 THERMISTOR 2

**UMCB TERMINAL BOARD DESIGNATIONS**

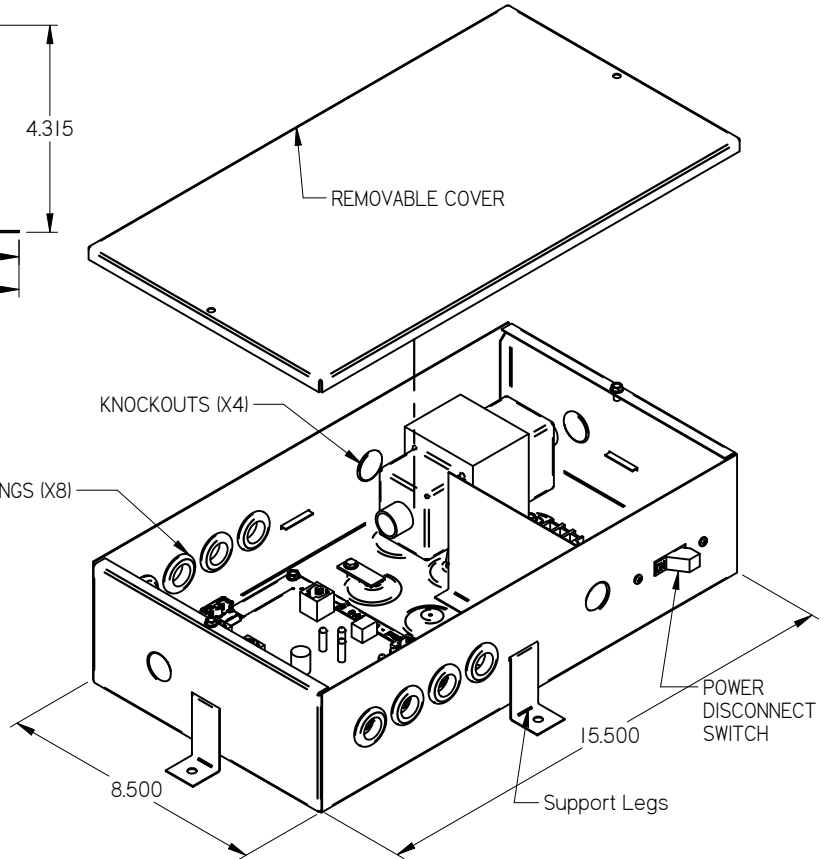
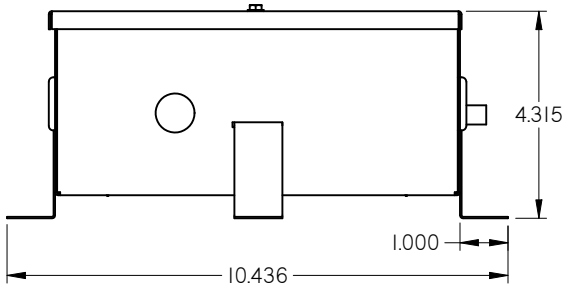
- HOT - 24 VAC HOT
- COM - COMMON
- AI1 - COOLING INPUT
- AI2 - HEATING INPUT
- AI3 - ANALOG INPUT
- COM - COM
- AO1 - FAN OUTPUT (0-10VDC)
- AO2 - ANALOG HEAT OUTPUT (0-10VDC)
- AO3 - AUXILIARY ANALOG OUTPUT
- AO4 - ANALOG OUTPUT
- BO1 - REHEAT STAGE 1 OUTPUT
- BO2 - REHEAT STAGE 2 OUTPUT
- BO3 - REHEAT STAGE 3 OUTPUT
- BO4 - FAN RELAY
- BO5 - AUXILIARY DIGITAL OUTPUT
- COM - COMMON
- HOT - 24 VAC HOT

ALL METRIC DIMENSIONS ( ) ARE SOFT CONVERTED. IMPERIAL DIMENSIONS ARE CONVERTED TO METRIC AND ROUNDED TO THE NEAREST MILLIMETER.

PROJECT:		<b>price</b>
ENGINEER:		
CUSTOMER:		241527
SUBMITTAL DATE:		2010/03/22
SPEC. SYMBOL:		2010/03/22

**UMCB**  
 UNDERFLOOR  
 MODULATING CONTROLLER -  
 BOX CONTROL

UMC3 - UNDERFLOOR MODULATION CONTROLLER 3



**NOTES:**

- 96 VA CLASS 2 TRANSFORMER
- ETL CERTIFIED
- TOTAL CONNECTED LOAD NOT TO EXCEED 2 AMPS  
MAXIMUM 30 DAMPERS TOTAL  
12 OF WHICH CAN BE LFGH
- ONE PLENUM RATED CONNECTION CABLE
- PROVIDED WITH EACH RFB/LFGH/DBV
- POWER DISCONNECT SWITCH
- POWER AND SIGNAL STATUS LED'S
- 22 GAUGE GALV. STEEL ENCLOSURE

**APPLICATION:**

- INPUT SIGNAL FROM DDC CONTROLLER (NO THERMOSTAT) (0 -10V DC COOLING)
- PIC-TS-SENS PRICE ROOM SENSOR THERMOSTAT (SEE SUBMITTAL 250050-100)
- PIC-TS-PRICE DIAL THERMOSTAT (SEE SUBMITTAL 250051-100)
- PIC-TS-LCD PRICE LCD THERMOSTAT (CELCIUS OR FAHRENHEIT OPTION)  
(SEE SUBMITTAL 250052-100)
- PIC-TS-MOTION PRICE MOTION SENSOR WITH LCD THERMOSTAT (CELCIUS OR FAHRENHEIT OPTION)  
(SEE SUBMITTAL 250053-100)
  
- WIRELESS D OPTION - WIRELESS THERMOSTAT (DIAL)  
AND BASE, INCLUDES ROUND FLOOR DIFFUSER, RING  
OR ACCESSORY BASKET (SEE NEXT PAGE)

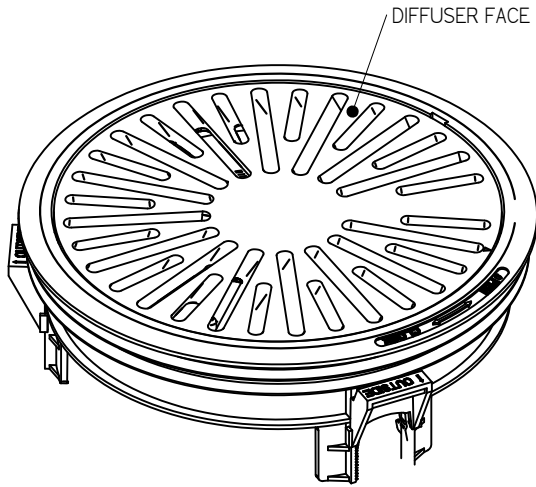
**TRANSFORMER OPTIONS:**

- 115/24 VAC 96 VA TRANSFORMER
- 277/24 VAC 96 VA TRANSFORMER

ALL METRIC DIMENSIONS ( ) ARE SOFT CONVERTED. IMPERIAL DIMENSIONS ARE CONVERTED TO METRIC AND ROUNDED TO THE NEAREST MILLIMETER.

PROJECT:		<b>price</b>
ENGINEER:		
CUSTOMER:		<b>DS</b>
SUBMITTAL DATE:		<b>250492</b>
SPEC. SYMBOL:		<b>02/01/2011</b>
		<b>UMC3 UNDERFLOOR MODULATING CONTROLLER3 FOR RFB, LFGH OR DBV</b>

**WIRELESS D OPTION**



**FASTENING OPTIONS:**

- RPF - RING PRESS FIT
- ZC - ZIP CLIP

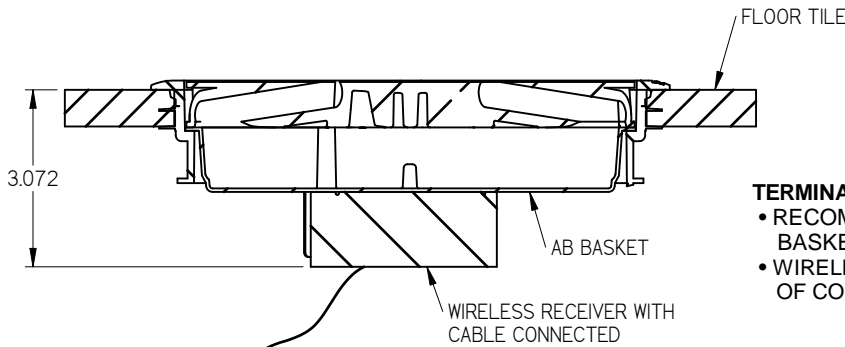
**DIFFUSER**

**FACE OPTIONS:**

- RFTD (SHOWN) (SEE SUBMITTAL: 236883)
- RFDD (SEE SUBMITTAL: 247512)
- RFID (SEE SUBMITTAL: 236882)

**WIRELESS AB BASKET:**

- DOES NOT SUPPLY AIR
- ONLY FOR HOLDING/MOUNTING WIRELESS RECEIVER
- ALLOWS FOR RADIO TRANSMISSION
- MOUNT WIRELESS STAT WITHIN 50 FEET OF RECEIVER
- SEE ABOVE SUBMITTALS FOR FLOOR TILE PRECISION OPENING



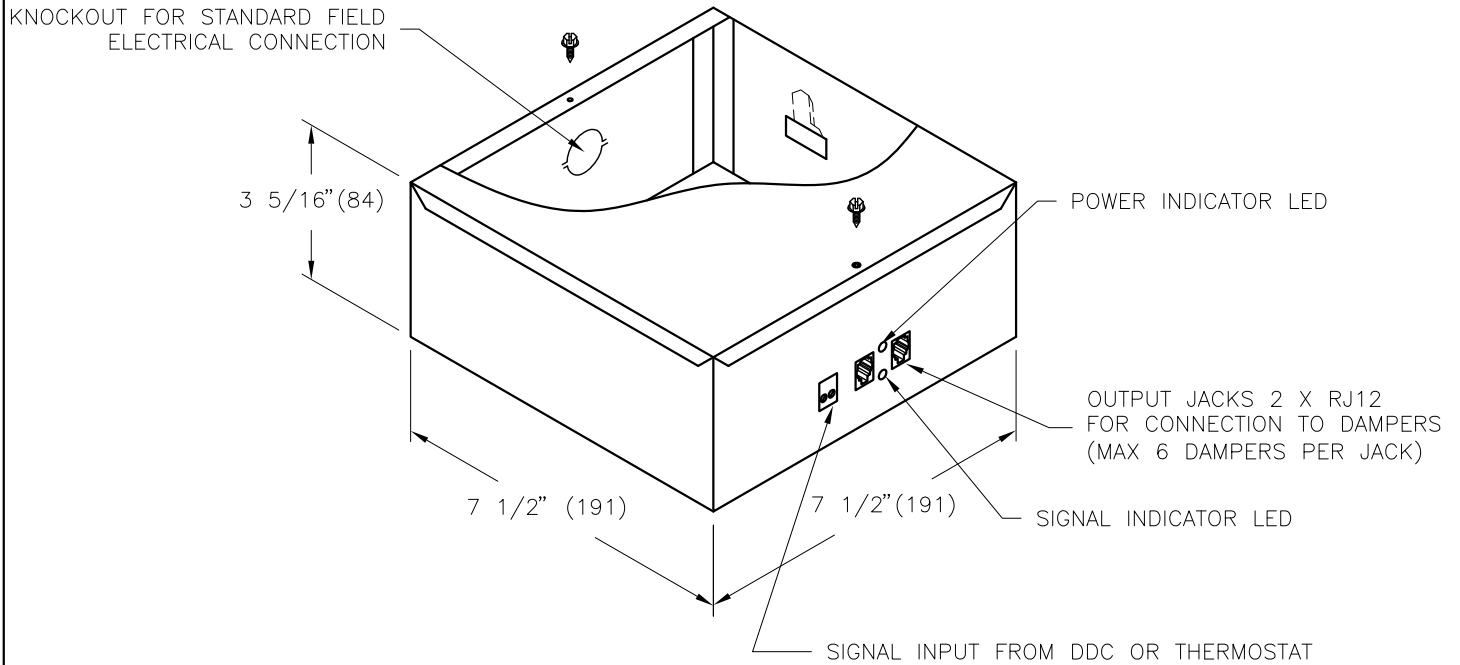
**TERMINAL/CONTROLLER:**

- RECOMMEND DIFFUSER AND WIRELESS ACCESSORY BASKET INSTALLED ON TILE ABOVE CONTROLLER
- WIRELESS ACCESSORY BASKET MUST BE WITHIN 6 FEET OF CONTROLLER

ALL METRIC DIMENSIONS ( ) ARE SOFT CONVERTED. IMPERIAL DIMENSIONS ARE CONVERTED TO METRIC AND ROUNDED TO THE NEAREST MILLIMETER.

PROJECT:		<b>price</b>
ENGINEER:		
CUSTOMER:		<b>DS</b>
SUBMITTAL DATE:		<b>250492</b>
SPEC. SYMBOL:		<b>02/01/2011</b>
<b>UMC3</b> UNDERFLOOR MODULATING CONTROLLER <sup>3</sup> FOR RFB, LFGH OR DBV		

**UMC1 - Underfloor Modulating Controller, Version 1**



**NOTES:**

- 50 VA CLASS 2 TRANSFORMER
- ETL CERTIFIED
- TOTAL CONNECTED LOAD NOT TO EXCEED 2 AMPS (MAXIMUM 12 DAMPERS)
- ONE PLENUM RATED CONNECTION CABLE PROVIDED WITH EACH DAMPER
- POWER DISCONNECT SWITCH
- POWER AND SIGNAL STATUS LED'S
- 3 x 1/4\" (6) MOUNTING HOLES ON BOTTOM

**TRANSFORMER OPTIONS:**

- 115/24 VAC 50 VA TRANSFORMER
- 277/24 VAC 50 VA TRANSFORMER

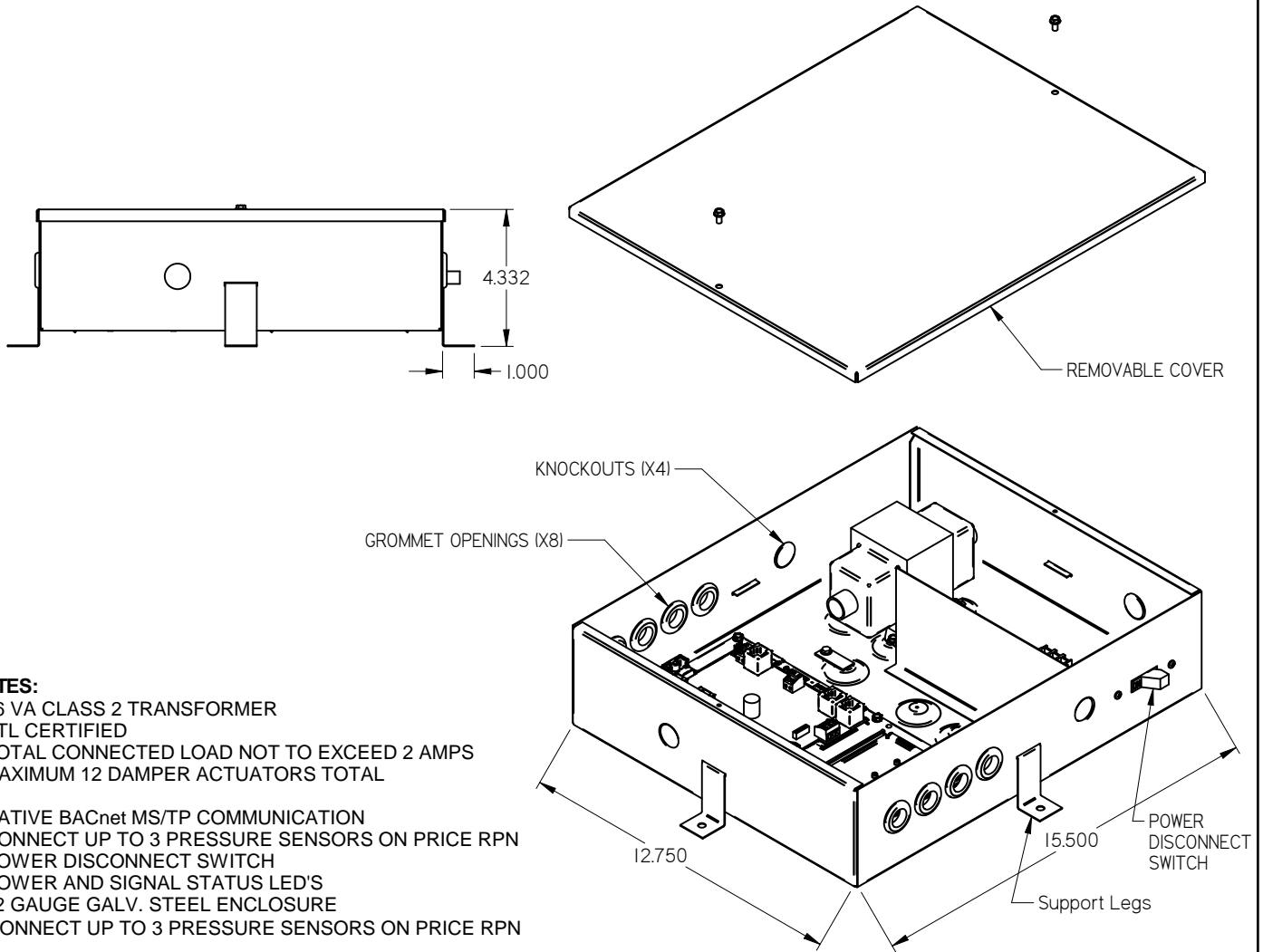
**APPLICATION:**

- INPUT SIGNAL FROM DDC CONTROLLER (NO THERMOSTAT) (0-10V DC COOLING)
- DIAL ADJUSTABLE T-STAT

ALL METRIC DIMENSIONS ( ) ARE SOFT CONVERTED. IMPERIAL DIMENSIONS ARE CONVERTED TO METRIC AND ROUNDED TO THE NEAREST MILLIMETER.

<b>PROJECT:</b>		<b>PRICE®</b>	
<b>ENGINEER:</b>		<i>DS</i>	<b>UMC1</b> UMC1 UNDERFLOOR MODULATING CONTROLLER
<b>CUSTOMER:</b>			
<b>SUBMITTAL DATE:</b>	<b>SPEC. SYMBOL:</b>	2010/09/28	

PCU PRESSURE CONTROLLER FOR UNDERFLOOR AIR DISTRIBUTION



**NOTES:**

- 96 VA CLASS 2 TRANSFORMER
- ETL CERTIFIED
- TOTAL CONNECTED LOAD NOT TO EXCEED 2 AMPS  
MAXIMUM 12 DAMPER ACTUATORS TOTAL
- NATIVE BACnet MS/TP COMMUNICATION
- CONNECT UP TO 3 PRESSURE SENSORS ON PRICE RPN
- POWER DISCONNECT SWITCH
- POWER AND SIGNAL STATUS LED'S
- 22 GAUGE GALV. STEEL ENCLOSURE
- CONNECT UP TO 3 PRESSURE SENSORS ON PRICE RPN

**APPLICATION:**

- CONSTANT VOLUME**
- VARIABLE VOLUME WITH :**
- PRICE ROOM SENSOR THERMOSTAT (SEE SUBMITTAL 250050-100)
- DIAL THERMOSTAT (SEE SUBMITTAL 250051-100)
- PRICE LCD THERMOSTAT (CELCIUS OR FAHRENHEIT OPTION)  
(SEE SUBMITTAL 250052-100)
- PRICE MOTION SENSOR WITH LCD THERMOSTAT (CELCIUS OR FAHRENHEIT OPTION)  
(SEE SUBMITTAL 250053-100)
- WIRELESS THERMOSTAT (DIAL)  
AND BASE, INCLUDES ROUND FLOOR DIFFUSER, RING  
OR ACCESSORY BASKET (SEE NEXT PAGE)

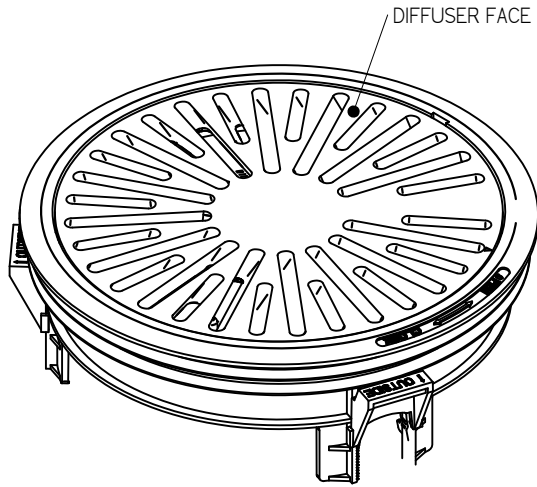
**TRANSFORMER OPTIONS:**

- 120/24 VAC 96 VA TRANSFORMER
- 277/24 VAC 96 VA TRANSFORMER
- 240/24 VAC 96 VA TRANSFORMER
- 480-1/24 VAC 96 VA TRANSFORMER

ALL METRIC DIMENSIONS ( ) ARE SOFT CONVERTED. IMPERIAL DIMENSIONS ARE CONVERTED TO METRIC AND ROUNDED TO THE NEAREST MILLIMETER.

PROJECT:		<b>price</b>	<b>PCU</b>
ENGINEER:			
CUSTOMER:		<b>259514</b>	<b>PRESSURE CONTROLLER FOR UNDERFLOOR PLENUM</b>
SUBMITTAL DATE:	SPEC. SYMBOL:	<b>02/01/2011</b>	

RPN WITH PRESSURE SENSOR



**FASTENING OPTIONS:**

- RPF - RING PRESS FIT
- ZC - ZIP CLIP

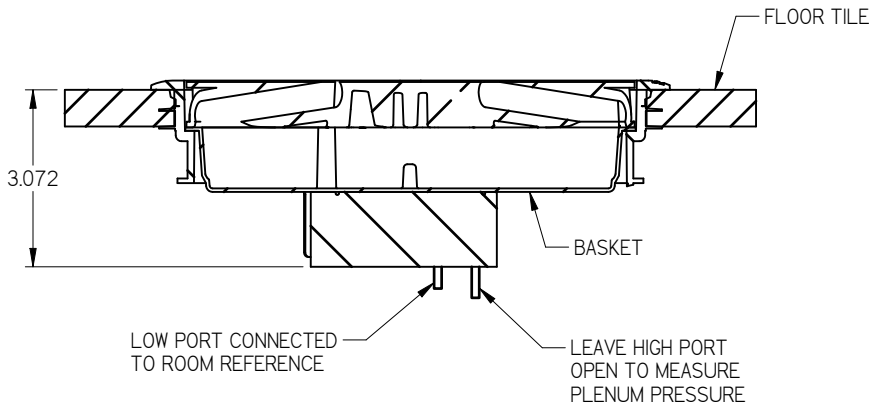
**DIFFUSER FACE OPTIONS:**

- RFTD (SHOWN) (SEE SUBMITTAL: 236883)
- RFDD (SEE SUBMITTAL: 247512)
- RFID (SEE SUBMITTAL: 236882)

- DOES NOT SUPPLY AIR
- ONLY FOR HOLDING/MOUNTING WIRELESS RECEIVER
- PRESSURE PORT TO MEASURE REFERENCE ROOM PRESSURE
- SEE ABOVE SUBMITTALS FOR FLOOR TILE PRECISION OPENING

**PRESSURE SENSOR RANGE : 0 - 0.25" W.C**

- 3 WIRE CONNECTION TO CONTROLLER
- 24 VAC HOT
  - COMMON
  - SIGNAL



ALL METRIC DIMENSIONS ( ) ARE SOFT CONVERTED. IMPERIAL DIMENSIONS ARE CONVERTED TO METRIC AND ROUNDED TO THE NEAREST MILLIMETER.

PROJECT:		<b>price</b>
ENGINEER:		
CUSTOMER:		<b>DS</b>
SUBMITTAL DATE:		<b>259514</b>
SPEC. SYMBOL:		<b>02/01/2011</b>
<b>PCU PRESSURE CONTROLLER FOR UNDERFLOOR PLENUM</b>		