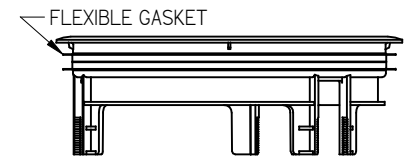


DIFFUSER, MOUNTING RING & RING NUT DIMENSIONS

	DIFFUSER FACE	MOUNTING RING	FLOOR TILE PRECISION OPENING
SIZE	A	B	C
8"	7 13/16" (198)	9" (229)	8 7/16" ± .040" (214 ± 1)

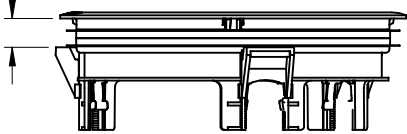
**STANDARD FASTENING**

RPF = RING PRESS FIT



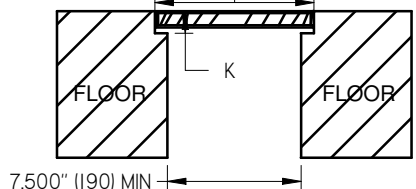
**OPTIONAL FASTENING**

ZC = ZIP CLIP (FLEXIBLE GASKET INCLUDED)  
 .650 MIN TO 1.500 MAX



**STEPPED BORE INSTALLATION DETAILS**

7.875" ± .010" (200 ± .250)



7.500" (190) MIN

K = 0.800 (WITHOUT BASKET)  
 K = 0.875 (WITH BASKET)

**BASKET OPTIONS:**

	TYPE	E	F	DESCRIPTION
<input type="checkbox"/>	*DB	5.75" (146)	5.00" (127)	Distributor Basket with Damper
<input type="checkbox"/>	B	5.75" (146)	5.00" (127)	Distributor Basket no Damper
<input type="checkbox"/>	DBS	2.75" (70)	2.00" (51)	Short Basket with Damper
<input type="checkbox"/>	BS	2.75" (70)	2.00" (51)	Short Basket with No Damper
<input type="checkbox"/>	DBV	7.31" (186)	6.56" (167)	Variable Volume Basket (See Submittal 243333)

\* DB IS STANDARD

**MATERIAL:**

- FIRE RATED POLYMER

**NOTES:**

- COMPONENTS SHIPPED ASSEMBLED  
 - 30° DEFLECTION ANGLE

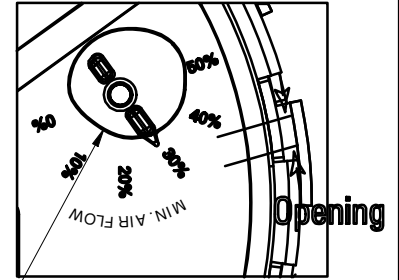
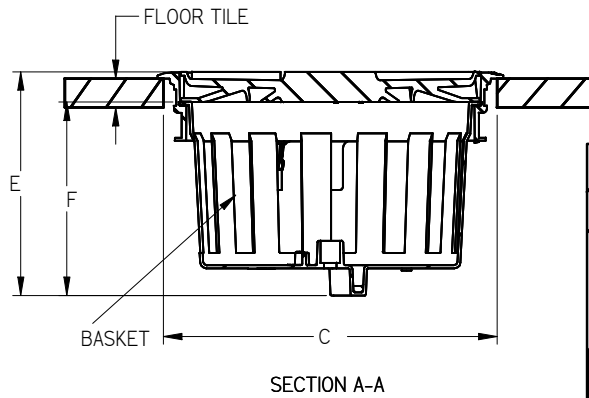
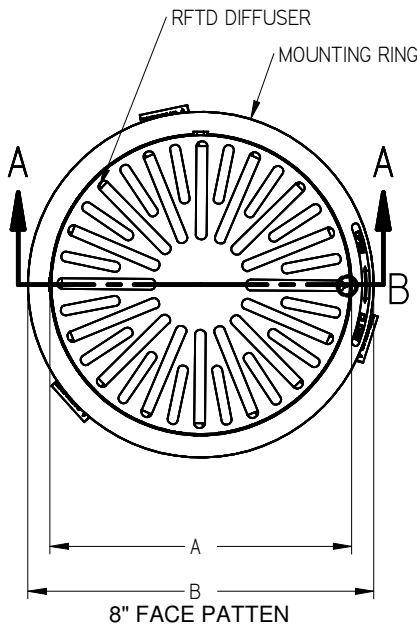
**FINISH:**

- DG = DUSTY GREY
- BLACK
- SPL=OPTIONAL COLORS AVAILABLE



ALL METRIC DIMENSIONS ( ) ARE SOFT CONVERTED. IMPERIAL DIMENSIONS ARE CONVERTED TO METRIC AND ROUNDED TO THE NEAREST MILLIMETER.

<b>PROJECT:</b>		<b>PRICE</b>
<b>ENGINEER:</b>	DS	
<b>CUSTOMER:</b>	236882	<b>RFID ROUND FLOOR INCLINED DIFFUSER</b>
<b>SUBMITTAL DATE:</b>	18/04/2011	
<b>SPEC. SYMBOL:</b>		



DIFFUSER, MOUNTING RING & RING NUT DIMENSIONS

	DIFFUSER FACE	MOUNTING RING	FLOOR TILE PRECISION OPENING
SIZE	A	B	C
8"	7 13/16" (198)	9" (229)	8 7/16" ± .040" (214 ± 1)

**BASKET OPTIONS:**

	TYPE	E	F	DESCRIPTION
<input type="checkbox"/>	DBA*	5.75" (146)	5.00" (127)	Distributor Basket with Face Adjustable Damper
<input type="checkbox"/>	B	5.75" (146)	5.00" (127)	Distributor basket no Damper
<input type="checkbox"/>	DB	5.75" (146)	5.00" (127)	Distributor Basket with Damper
<input type="checkbox"/>	BS	2.75" (70)	2.00" (51)	Short Basket no Damper
<input type="checkbox"/>	DBS	2.75" (70)	2.00" (51)	Short Basket with Damper
<input type="checkbox"/>	DBAS	2.75" (70)	2.00" (51)	Short Basket with Face Adjustable Damper
<input type="checkbox"/>	DBV	7.31" (186)	6.56" (167)	Variable Volume Basket (See Submittal 243333)

\* DBA IS STANDARD

**MATERIAL:**

- FIRE RATED POLYMER

**NOTES:**

- COMPONENTS SHIPPED ASSEMBLED

**FINISH:**

DG = DUSTY GREY

BLACK

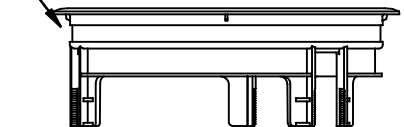
SPL=OPTIONAL COLORS AVAILABLE



**STANDARD FASTENING**

RPF = RING PRESS FIT

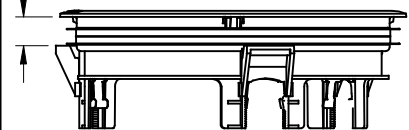
FLEXIBLE GASKET



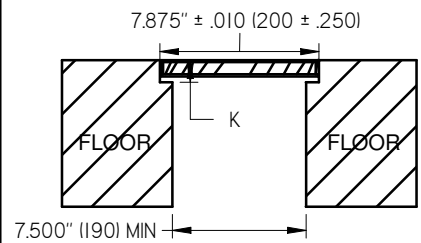
**OPTIONAL FASTENING**

ZC = ZIP CLIP

.650 MIN TO 1.500 MAX



**STEPPED BORE INSTALLATION DETAILS**



K = 0.800 (WITHOUT BASKET)  
K = 0.875 (WITH BASKET)

ALL METRIC DIMENSIONS ( ) ARE SOFT CONVERTED. IMPERIAL DIMENSIONS ARE CONVERTED TO METRIC AND ROUNDED TO THE NEAREST MILLIMETER.

**PROJECT:**

**ENGINEER:**

**CUSTOMER:**

**SUBMITTAL DATE:**

**SPEC. SYMBOL:**

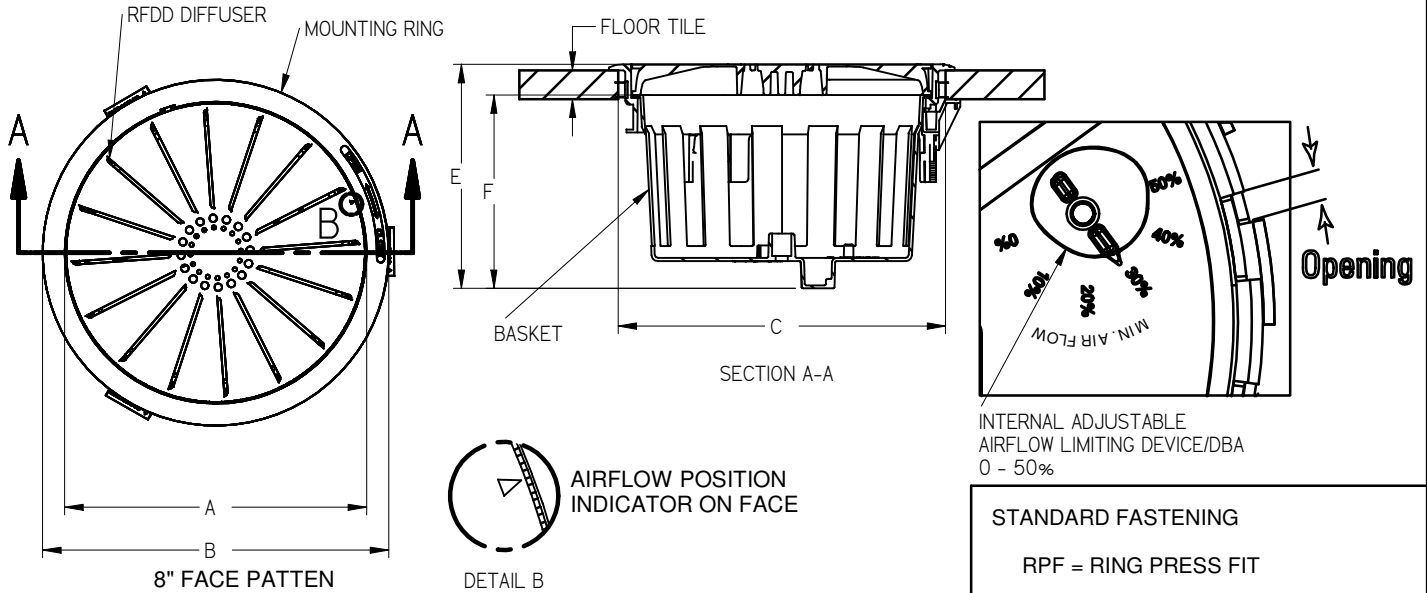
**PRICE**

DS

236883

18/04/2011

**RFTD**  
8" DIA ROUND FLOOR  
TURBULENT  
ADJUSTABLE DIFFUSER



DIFFUSER, MOUNTING RING & RING NUT DIMENSIONS

	DIFFUSER FACE	MOUNTING RING	FLOOR TILE PRECISION OPENING
SIZE	A	B	C
8"	7 13/16" (198)	9" (229)	8 7/16" ± .040" (214 ± 1)

**BASKET OPTIONS:**

	TYPE	E	F	DESCRIPTION
<input type="checkbox"/>	DBA*	5.75" (146)	5.00" (127)	Distributor Basket with Face Adjustable Damper
<input type="checkbox"/>	B	5.75" (146)	5.00" (127)	Distributor basket no Damper
<input type="checkbox"/>	DB	5.75" (146)	5.00" (127)	Distributor Basket with Damper
<input type="checkbox"/>	BS	2.75" (70)	2.00" (51)	Short Basket no Damper
<input type="checkbox"/>	DBS	2.75" (70)	2.00" (51)	Short Basket with Damper
<input type="checkbox"/>	DBAS	2.75" (70)	2.00" (51)	Short Basket with Face Adjustable Damper
<input type="checkbox"/>	DBV	7.31" (186)	6.56" (167)	Variable Volume Basket (See Submittal 243333)

\* DBA IS STANDARD

**MATERIAL:**

- FIRE RATED POLYMER

**NOTES:**

- COMPONENTS SHIPPED ASSEMBLED

**FINISH:**

DG = DUSTY GREY

BLACK

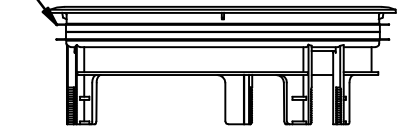
SPL=OPTIONAL COLORS AVAILABLE



**STANDARD FASTENING**

RPF = RING PRESS FIT

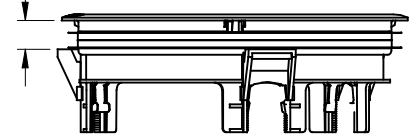
FLEXIBLE GASKET



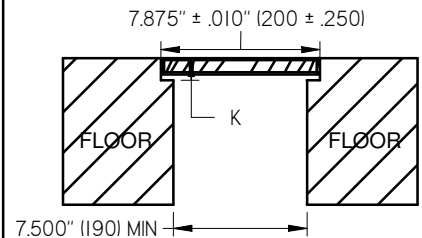
**OPTIONAL FASTENING**

ZC = ZIP CLIP

.650 MIN TO 1.500 MAX



**STEPPED BORE INSTALLATION DETAILS**



K = 0.800 (WITHOUT BASKET)  
K = 0.875 (WITH BASKET)

ALL METRIC DIMENSIONS ( ) ARE SOFT CONVERTED. IMPERIAL DIMENSIONS ARE CONVERTED TO METRIC AND ROUNDED TO THE NEAREST MILLIMETER.

**PROJECT:**

**ENGINEER:**

**CUSTOMER:**

**SUBMITTAL DATE:**

**SPEC. SYMBOL:**



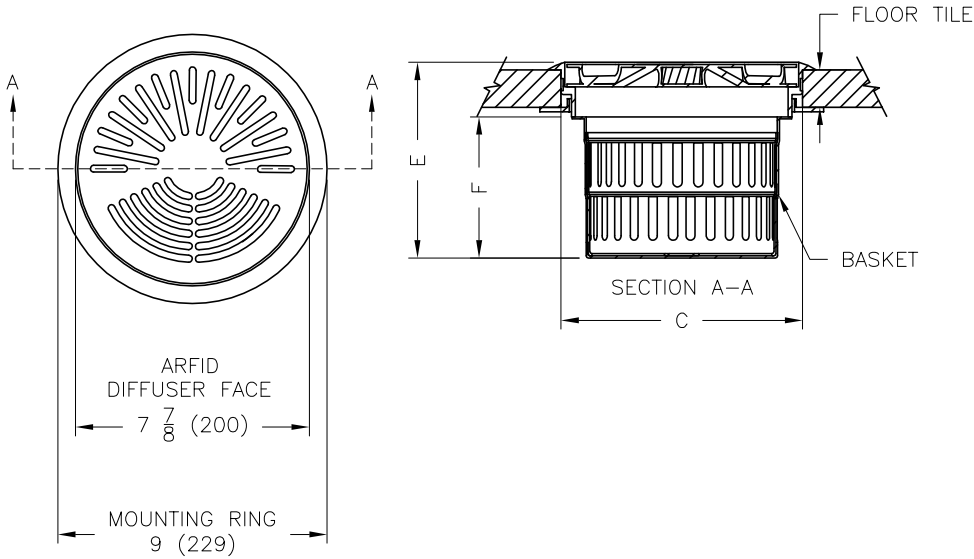
DS

247512

18/04/2011

**RFDD**

8" DIA ROUND FLOOR  
DISPLACEMENT  
ADJUSTABLE DIFFUSER



FLOOR TILE PRECISION OPENING-C

RC	8.307 ± .040 (211 ± 1)
RPF	8.464 ± .040 (214 ± 1)

BASKET OPTIONS:

	TYPE	E	F	DESCRIPTION
<input type="checkbox"/>	DB	5.75" (146)	5.00" (127)	Distributor Basket with Damper
<input type="checkbox"/>	B	5.75" (146)	5.00" (127)	Distributor Basket no Damper
<input type="checkbox"/>	BS	5.75" (146)	5.00" (127)	Short Basket no Damper
<input type="checkbox"/>	DBS	2.75" (70)	2.00" (51)	Short Basket with Damper
<input type="checkbox"/>	DBV	7.31" (186)	6.56" (167)	Variable Volume Basket (See Submittal 243333)
<input type="checkbox"/>	MDB*	4.75" (120)	4.00" (101)	Metal Distributor Basket with Damper
<input type="checkbox"/>	MB	4.75" (120)	4.00" (101)	Metal Distributor Basket

\*MDB IS STANDARD

MATERIAL:  
 DIFFUSER & MOUNTING RING - ALUMINUM  
 BASKET - FIRE RATED POLYMER  
 METAL BASKET - GALVANIZED STEEL

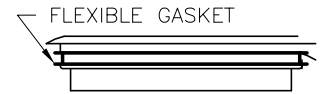
NOTES:  
 COMPONENTS SHIPPED ASSEMBLED



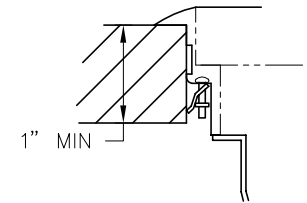
FINISH:  
 MILL = MILL FINISH  
 (OPTIONAL FINISHES AVAILABLE)

**FASTENING OPTIONS**

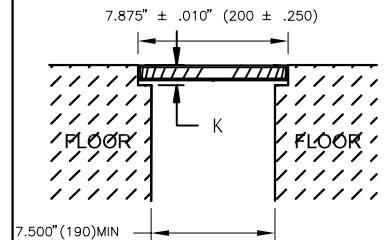
RPF = RING PRESS FIT



RC = RING CLAW



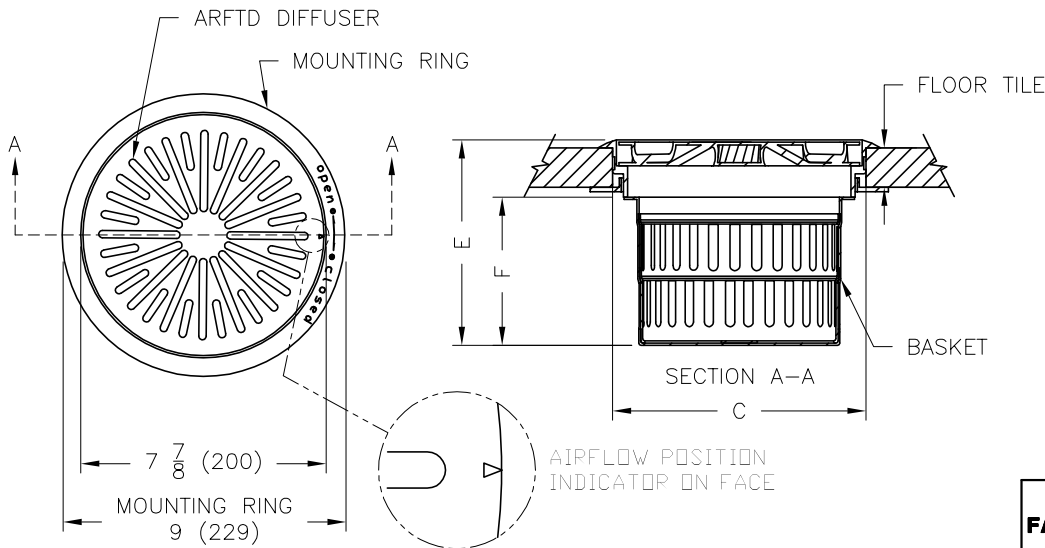
**STEPPED BORE DETAILS**



K = 0.800" (WITHOUT BASKET)  
 K = 0.925" (WITH METAL BASKET)  
 K = 0.875" (WITH PLASTIC BASKET)

ALL METRIC DIMENSIONS ( ) ARE SOFT CONVERTED. IMPERIAL DIMENSIONS ARE CONVERTED TO METRIC AND ROUNDED TO THE NEAREST MILLIMETER.

<b>PROJECT:</b>		<b>PRICE®</b>	
<b>ENGINEER:</b>		<i>DS</i>	<b>ARFID</b> ALUMINUM ROUND FLOOR INCLINED DIFFUSER
<b>CUSTOMER:</b>		236923	
<b>SUBMITTAL DATE:</b>	<b>SPEC. SYMBOL:</b>	2011/04/18	



FLOOR TILE PRECISION OPENING—C

RC	8.307 ± .040 (211 ± 1)
RPF	8.464 ± .040 (214 ± 1)

**BASKET HEIGHT DIMENSIONS**

	TYPE	E	F	DESCRIPTION
<input type="checkbox"/>	DBA	5.75" (146)	5.00" (127)	Distributor Basket with Face Adjustable Damper
<input type="checkbox"/>	B	5.75" (146)	5.00" (127)	Distributor Basket no Damper
<input type="checkbox"/>	BS	5.75" (146)	5.00" (127)	Short Basket no Damper
<input type="checkbox"/>	DB	5.75" (146)	5.00" (127)	Distributor Basket with Damper
<input type="checkbox"/>	DBS	2.75" (70)	2.00" (51)	Short Basket with Damper
<input type="checkbox"/>	DBAS	2.75" (70)	2.00" (51)	Short Basket with Face Adjustable Damper
<input type="checkbox"/>	DBV	7.31" (186)	6.56" (167)	Variable Volume Basket (See Submittal 243333)
<input type="checkbox"/>	MDBA*	4.75" (120)	4.00" (101)	Metal Distributor Basket with Face Adjustable Damper
<input type="checkbox"/>	MBD	4.75" (120)	4.00" (101)	Metal Distributor Basket with Damper
<input type="checkbox"/>	MB	4.75" (120)	4.00" (101)	Metal Distributor Basket

\*MDBA IS STANDARD

MATERIAL:  
 DIFFUSER & MOUNTING RING — ALUMINUM  
 BASKET — POLYCARBONATE, UL/ULC 94V-0 FIRE RATED  
 METAL BASKET — GALVANIZED STEEL

NOTES:  
 COMPONENTS SHIPPED ASSEMBLED

FINISH:  
 MILL = MILL FINISH  
 (OPTIONAL FINISHES AVAILABLE)

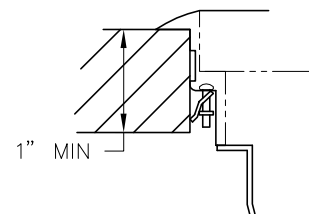


**FASTENING OPTIONS**

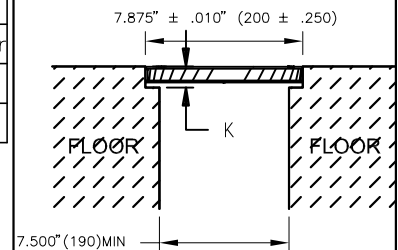
RPF = RING PRESS FIT



RC = RING CLAW



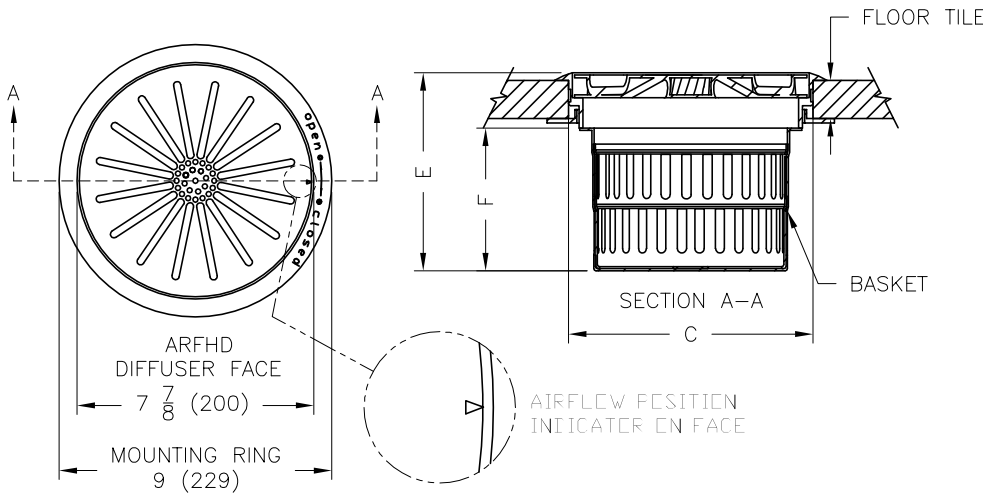
**STEPPED BORE DETAILS**



K = 0.800" (WITHOUT BASKET)  
 K = 0.925" (WITH METAL BASKET)  
 K = 0.875" (WITH PLASTIC BASKET)

ALL METRIC DIMENSIONS ( ) ARE SOFT CONVERTED. IMPERIAL DIMENSIONS ARE CONVERTED TO METRIC AND ROUNDED TO THE NEAREST MILLIMETER.

<b>PROJECT:</b>		<b>PRICE®</b>	
<b>ENGINEER:</b>			
<b>CUSTOMER:</b>		<b>ARFTD</b>	
<b>SUBMITTAL DATE:</b>		ALUMINUM ROUND FLOOR TURBULENT DIFFUSER	
<b>SPEC. SYMBOL:</b>		237694	
		2011/04/18	



FLOOR TILE PRECISION OPENING—C

RC	8.307 ± .040 (211 ± 1)
RPF	8.464 ± .040 (214 ± 1)

**BASKET HEIGHT DIMENSIONS**

	TYPE	E	F	DESCRIPTION
<input type="checkbox"/>	DBA	5.75" (146)	5.00" (127)	Distributor Basket with Face Adjustable Damper
<input type="checkbox"/>	B	5.75" (146)	5.00" (127)	Distributor Basket no Damper
<input type="checkbox"/>	BS	5.75" (146)	5.00" (127)	Short Basket no Damper
<input type="checkbox"/>	DB	5.75" (146)	5.00" (127)	Distributor Basket with Damper
<input type="checkbox"/>	DBS	2.75" (70)	2.00" (51)	Short Basket with Damper
<input type="checkbox"/>	DBAS	2.75" (70)	2.00" (51)	Short Basket with Face Adjustable Damper
<input type="checkbox"/>	DBV	7.31" (186)	6.56" (167)	Variable Volume Basket (See Submittal 243333)
<input type="checkbox"/>	MDBA*	4.75" (120)	4.00" (101)	Metal Distributor Basket with Face Adjustable Damper
<input type="checkbox"/>	MDB	4.75" (120)	4.00" (101)	Metal Distributor Basket with Damper
<input type="checkbox"/>	MB	4.75" (120)	4.00" (101)	Metal Distributor Basket

\*MDBA IS STANDARD

MATERIAL:  
 DIFFUSER & MOUNTING RING — ALUMINUM  
 BASKET — FIRE RATED POLYMER  
 METAL BASKET — GALVANIZED STEEL

NOTES:  
 COMPONENTS SHIPPED ASSEMBLED

FINISH:  
 MILL = MILL FINISH  
 (OPTIONAL FINISHES AVAILABLE)



ALL METRIC DIMENSIONS ( ) ARE SOFT CONVERTED. IMPERIAL DIMENSIONS ARE CONVERTED TO METRIC AND ROUNDED TO THE NEAREST MILLIMETER.

**FASTENING OPTIONS**

RPF = RING PRESS FIT

RC = RING CLAW

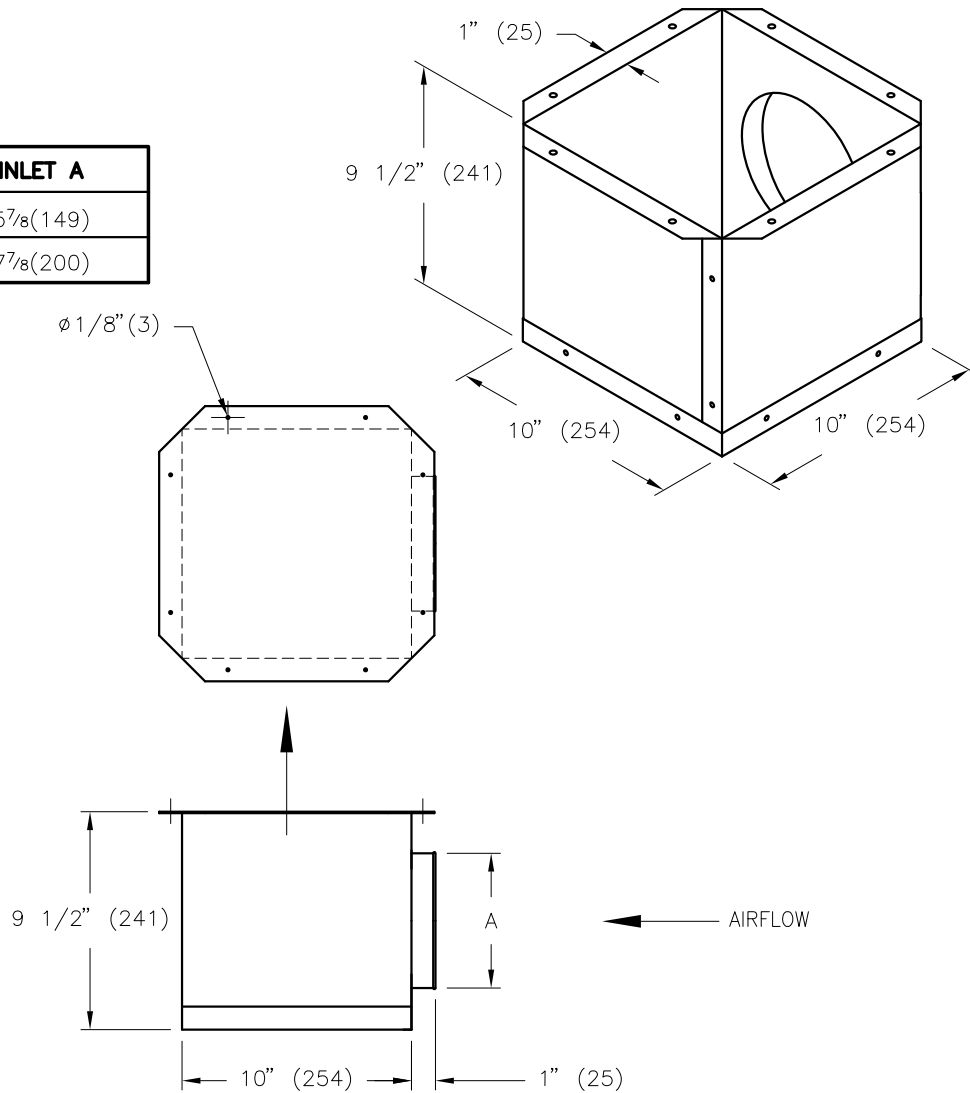
**STEPPED BORE DETAILS**

7.875" ± .010" (200 ± .250)

K = 0.800" (WITHOUT BASKET)  
 K = 0.925" (WITH METAL BASKET)  
 K = 0.875" (WITH PLASTIC BASKET)

<b>PROJECT:</b>		<b>PRICE®</b>	
<b>ENGINEER:</b>			
<b>CUSTOMER:</b>		236925	<b>ARFHD</b> ALUMINUM ROUND FLOOR HORIZONTAL DIFFUSER
<b>SUBMITTAL DATE:</b>	<b>SPEC. SYMBOL:</b>	2011/04/18	

SIZE	INLET A
6	5 <sup>7</sup> / <sub>8</sub> (149)
8	7 <sup>7</sup> / <sub>8</sub> (200)



**NOTES:**

- 22GA. ZINC COATED STEEL HOUSING. MECHANICALLY SEALED
- DESIGNED TO FIT 8" ROUND FLOOR DIFFUSER

**ACOUSTIC LINER:**

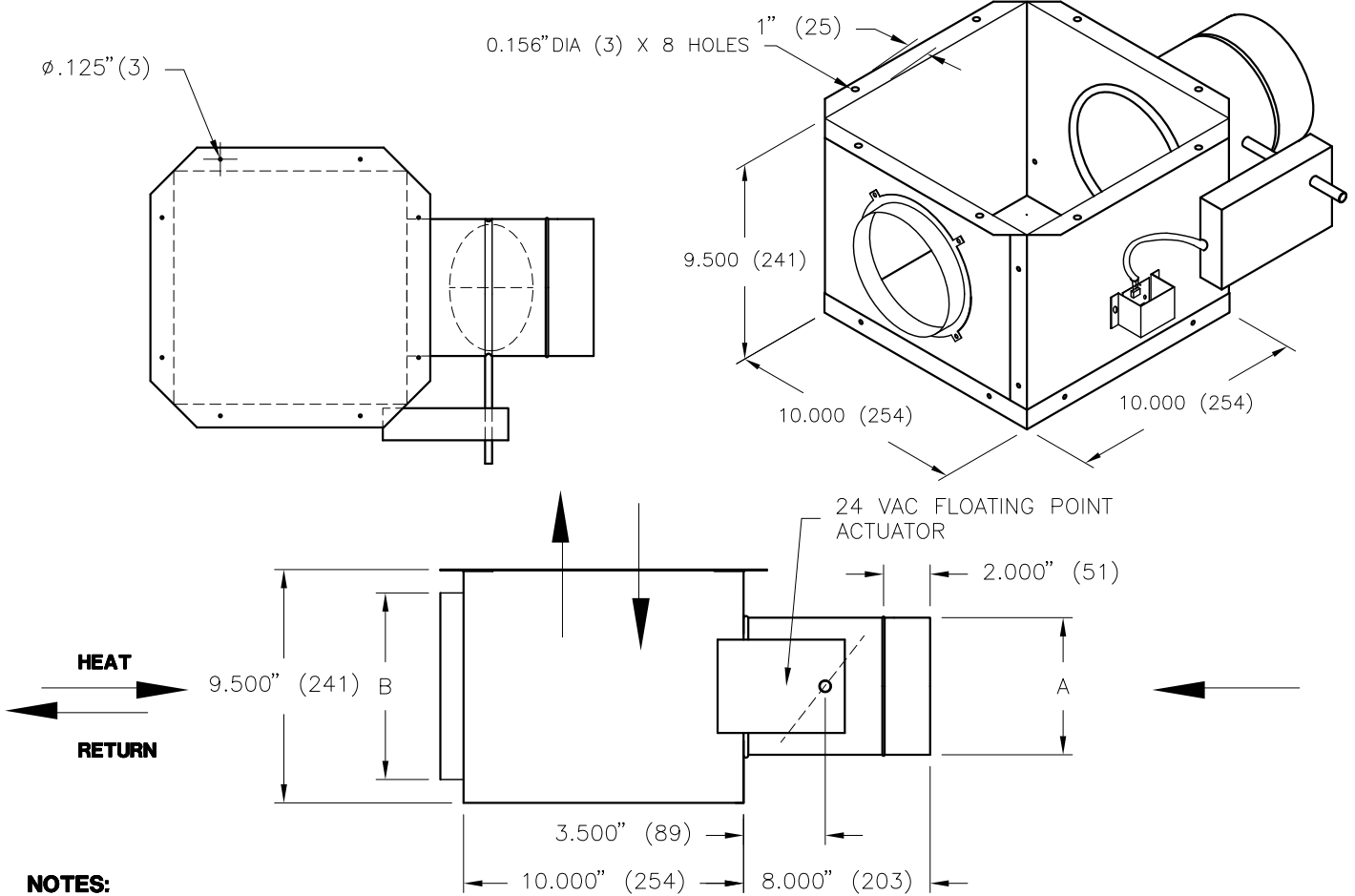
- OPTIONAL 1/2" FIBREGLASS (1.5 LB. DENSITY MIN.) ACOUSTIC LINER

**ACCESSORIES:**

- TATE CONCORE TYPE MOUNTING FLANGE INCLUDED (DEFAULT)
  - MAXCESS TYPE MOUNTING FLANGE AVAILABLE
- SEE SUBMITTAL DRAWING 240851  
(RPF STYLE FASTENING RECOMENDED FOR BOTH)

ALL METRIC DIMENSIONS ( ) ARE SOFT CONVERTED. IMPERIAL DIMENSIONS ARE CONVERTED TO METRIC AND ROUNDED TO THE NEAREST MILLIMETER.

<b>PROJECT:</b>		<b>PRICE</b> <sup>®</sup>	
<b>ENGINEER:</b>		<i>DS</i>	<b>RFB-F</b> ROUND FLOOR BOOT FAN SOURCED
<b>CUSTOMER:</b>			
<b>SUBMITTAL DATE:</b>	<b>SPEC. SYMBOL:</b>	DEC 2008	REV F



**NOTES:**

- 22GA. ZINC COATED STEEL HOUSING. MECHANICALLY SEALED
- ACTUATOR BY PRICE, FACTORY INSTALLED.
- DESIGNED TO FIT 8" ROUND FLOOR DIFFUSER

**PLENUM/DAMPER:**

- 90° MOVEMENT
- COMPLETE WITH C25(25') PLENUM RATED CONTROL CABLE, BOTH ENDS TERMINATED W/MODULAR PLUGS

**ACOUSTIC LINER:**

- OPTIONAL 1/2" FIBREGLASS (1.5 LB. DESNITY MIN.) ACOUSTIC LINER

**CONTROL CABLE OPTIONS:**

- C25S (25') – ONE END TERMINATED WITH A MODULAR PLUG OTHER END STRIPPED FOR TERMINAL BLOCK INSTALLATION

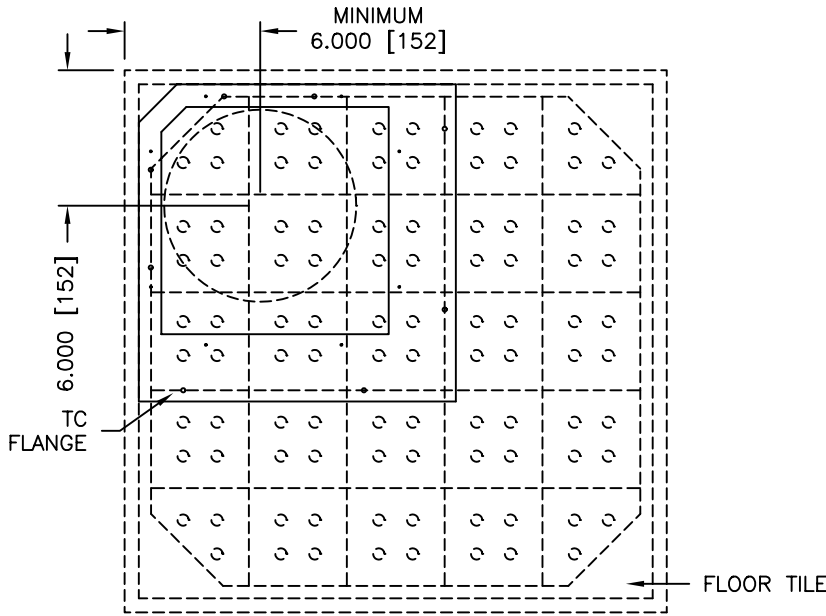
**ACCESSORIES:**

- TATE CONCORE TYPE MOUNTING FLANGE (DEFAULT)
- MAXCESS TYPE MOUNTING FLANGE AVAILABLE  
SEE SUBMITTAL DRAWING 240851  
(RPF STYLE FASTENING RECCOMENDED FOR BOTH)

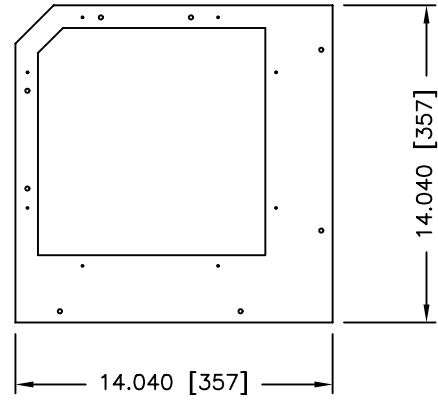
SIZE	INLET A	INLET B
6-6 (152-152)	5.875(149)	5.875(149)
6-8 (152-203)	5.875(149)	7.875(200)
8-6 (203-152)	7.875(200)	5.875(149)
8-8 (203-203)	7.875(200)	7.875(200)

ALL METRIC DIMENSIONS ( ) ARE SOFT CONVERTED. IMPERIAL DIMENSIONS ARE CONVERTED TO METRIC AND ROUNDED TO THE NEAREST MILLIMETER.

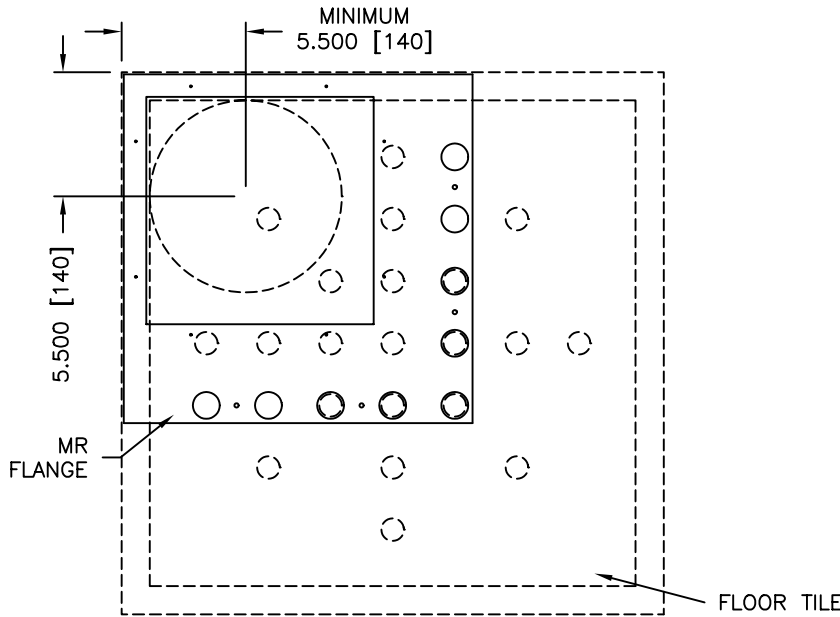
<b>PROJECT:</b>		<b>PRICE®</b>	
<b>ENGINEER:</b>		<i>DS</i>	<b>RFB-HC</b> ROUND FLOOR BOOT VAV HEATING AND COOLING/ RETURN AND COOLING
<b>CUSTOMER:</b>			
<b>SUBMITTAL DATE:</b>	<b>SPEC. SYMBOL:</b>	DEC 2008	



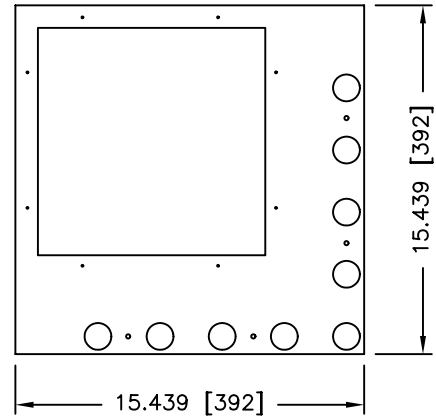
**TATE CONCORE TYPE FLOOR TILE**



**TC FLANGE**




**MAXIS RWC/S SERIES FLOOR TILE**



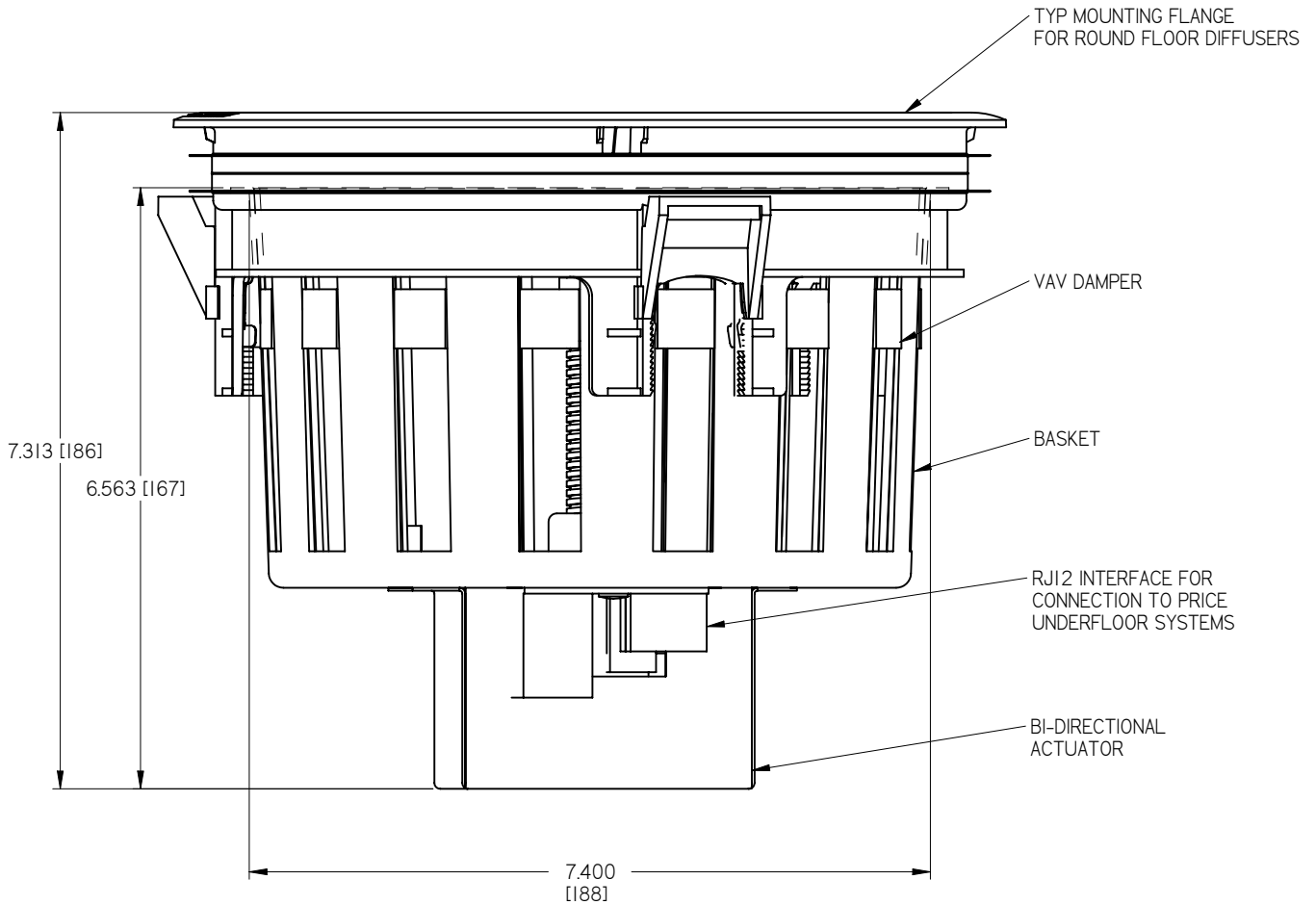
**MR FLANGE**

- INDICATE WHEN ORDERING WHICH FLANGE IS REQUIRED (TC OR MR)
- PRESS FIT FASTENING RECOMMENDED FOR TATE AND MAXIS FLOOR TILES (RPF)
- SPECIAL MOUNTING FLANGE TO FIT OTHER TILE STYLES AND SPECIAL SHAPES/SIZES ARE AVAILABLE UPON REQUEST

ALL METRIC DIMENSIONS ( ) ARE SOFT CONVERTED. IMPERIAL DIMENSIONS ARE CONVERTED TO METRIC AND ROUNDED TO THE NEAREST MILLIMETER.

<b>PROJECT:</b>		<b>PRICE®</b>	
<b>ENGINEER:</b>		 240851	<b>RFBMF</b> CONTOUR TILE MOUNTING FLANGES
<b>CUSTOMER:</b>			
<b>SUBMITTAL DATE:</b>	<b>SPEC. SYMBOL:</b>	MAR 2004	

**DBV - VAV DAMPER BASKET**



**STANDARD FEATURES:**

- BLACK POLYAMIDE BASKET AND DAMPER
- RJ12 JACKS FOR DAISY CHAIN CONNECTION
- 24VAC BI-DIRECTIONAL ACTUATOR (2.6 VA LOAD)

**OPTIONS:**

- C25S (25') - PLENUM RATED CONTROL CABLE ONE END TERMINATED WITH A MODULAR PLUG OTHER AND STRIPPED FOR TERMINAL BLOCK INSTALLATION TO STAT/DDC SYSTEM BY OTHERS

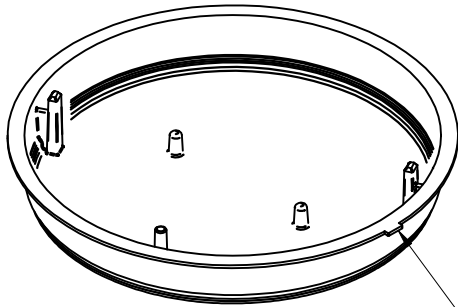
**NOTES:**

- FITS WITH STANDARD 8" FRAMES
- COMPLETE WITH C25(25') PLENUM RATED CONTROL CABLE BOTH ENDS TERMINATED W MODULAR PLUGS
- FACTORY TOLERANCE +/- 1/32" (1)
- IF CONNECTED TO STAT/DDC BY OTHERS, MUST BE CALIBRATED OPEN

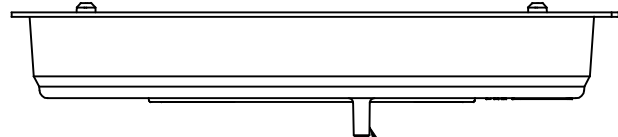
ALL METRIC DIMENSIONS ( ) ARE SOFT CONVERTED. IMPERIAL DIMENSIONS ARE CONVERTED TO METRIC AND ROUNDED TO THE NEAREST MILLIMETER.

<b>PROJECT:</b>		<b>price</b>	
<b>ENGINEER:</b>		DS	<b>DBV UNDERFLOOR VAV BASKET</b>
<b>CUSTOMER:</b>		243333	
<b>SUBMITTAL DATE:</b>	<b>SPEC. SYMBOL:</b>	JULY 2007	

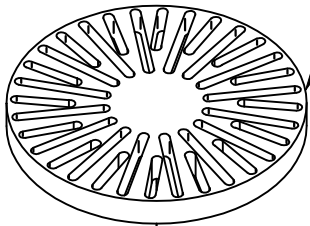
**RPN - RELATIVE PRESSURE NODE**



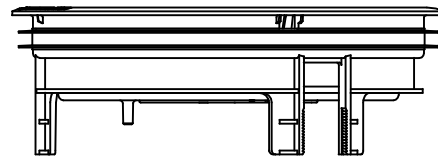
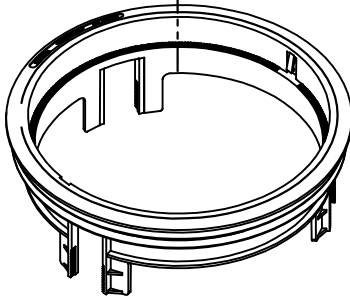
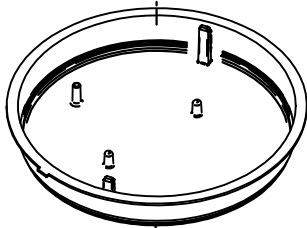
KEYED EDGE TO LOCK IN MOUNTING RING



INTEGRATED PRESSURE TAP FOR 1/4" PLASTIC TUBING



RFTD SHOWN



**FACE OPTIONS:**

- RFTD - ROUND FLOOR TURBULENT DIFFUSER
- ARFTD - ALUMINUM ROUND TURBULENT DIFFUSER
- RFID - ROUND FLOOR INCLINED FLOW DIFFUSER
- ARFID - ALUMINUM ROUND FLOOR INCLINED FLOW DIFFUSER
- RFDD - ROUND FLOOR DISPLACEMENT DIFFUSER
- ARFHD - ALUMINUM ROUND FLOOR HORIZONTAL DIFFUSER

**MOUNTING OPTIONS:**

- RPF - RING PRESS FIT (PLASTIC, ALUMINUM)
- ZC - ZIPCLIP (PLASTIC ONLY)
- RC - RING CLAW (ALUMINUM ONLY)

**FACE AND MOUNTING FINISH:**

- DUSTY GREY (PLASTIC)
- BLACK (PLASTIC)
- MILL (ALUMINUM)

**NOTES:**

- LESS THAN 1% ERROR IN PRESSURE MEASUREMENT
- FITS IN ANY PRICE 8" UNDERFLOOR MOUNTING RING
- LOW PROFILE ALLOWS IT TO FIT UNDER ANY UNDERFLOOR DIFFUSER

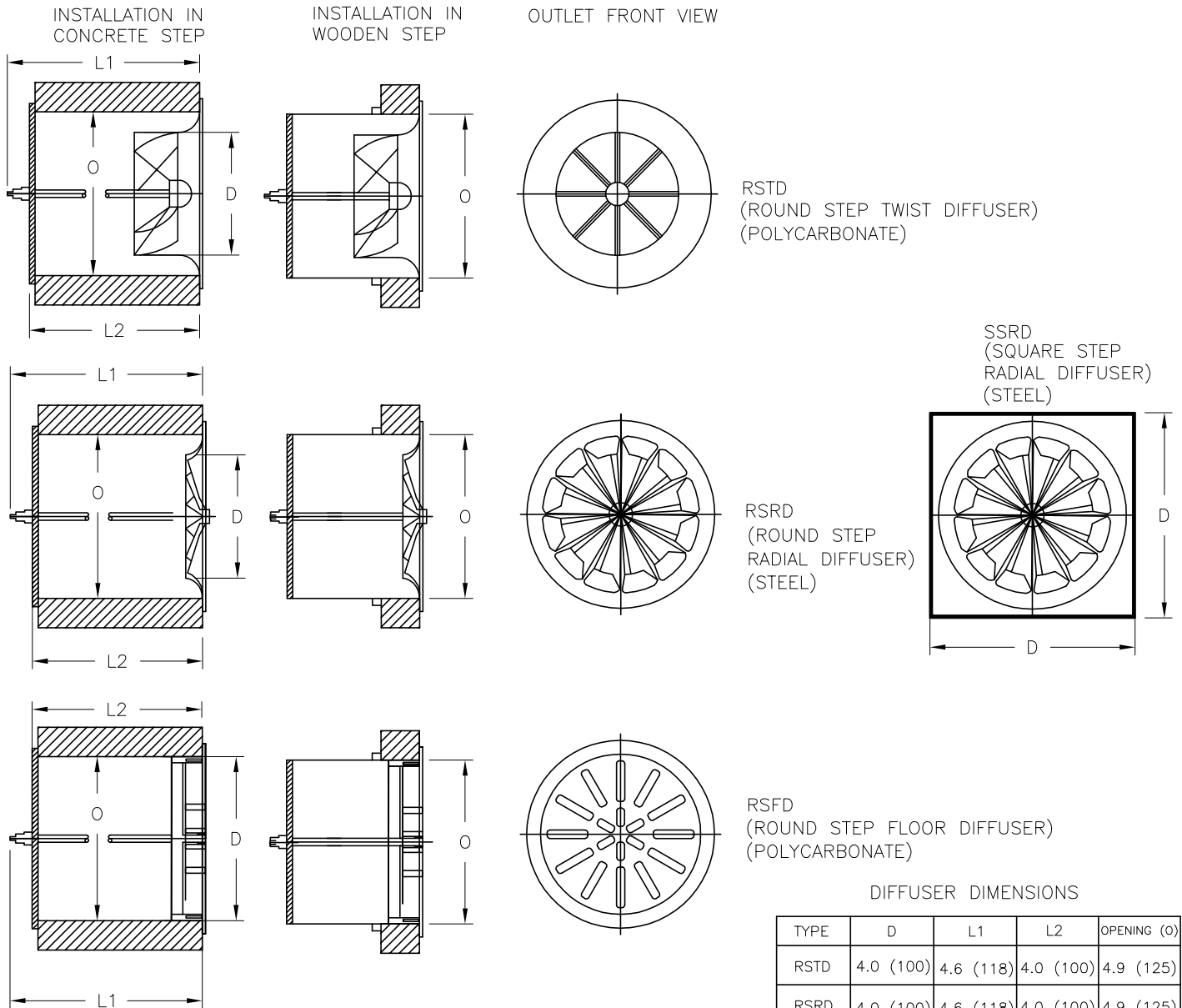
**STANDARD RPN CONSTRUCTION:**

- BLACK FIRE RATED POLYMER
- 1/4" PRESSURE TAP

ALL METRIC DIMENSIONS ( ) ARE SOFT CONVERTED. IMPERIAL DIMENSIONS ARE CONVERTED TO METRIC AND ROUNDED TO THE NEAREST MILLIMETER.

<b>PROJECT:</b>		<b>PRICE</b>	<b>RPN</b> RELATIVE PRESSURE NODE
<b>ENGINEER:</b>			
<b>CUSTOMER:</b>		243597	
<b>SUBMITTAL DATE:</b>	<b>SPEC. SYMBOL:</b>	2011/02/04	

**RSTD - ROUND STEP TWIST DIFFUSER**



RSTD  
(ROUND STEP TWIST DIFFUSER)  
(POLYCARBONATE)

RSRD  
(ROUND STEP  
RADIAL DIFFUSER)  
(STEEL)

SSRD  
(SQUARE STEP  
RADIAL DIFFUSER)  
(STEEL)

RSFD  
(ROUND STEP FLOOR DIFFUSER)  
(POLYCARBONATE)

DIFFUSER DIMENSIONS

TYPE	D	L1	L2	OPENING (O)
RSTD	4.0 (100)	4.6 (118)	4.0 (100)	4.9 (125)
RSRD	4.0 (100)	4.6 (118)	4.0 (100)	4.9 (125)
SSRD	5.1 (130)	4.6 (118)	4.0 (100)	4.9 (125)
RSFD	6.0 (150)	4.6 (118)	4.0 (100)	6.3 (160)

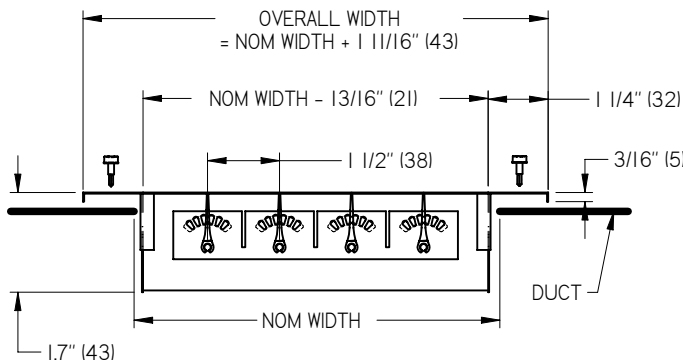
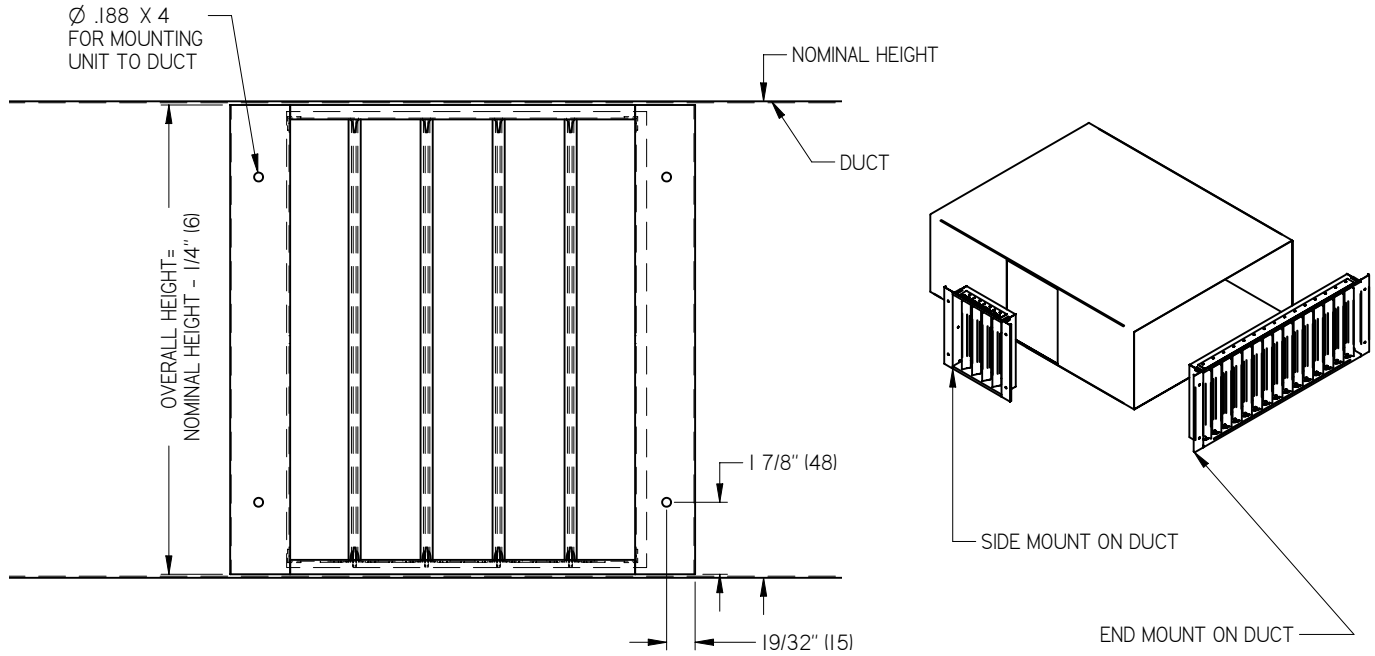
NOTE:  
FACTORY TOLERANCE ±.031"(1)

- DIFFUSER FINISH:
- POLYCARBONATE - DUSTY GREY (RSFD)
  - POLYCARBONATE - AGATE GREY (RSTD)
  - STEEL - WHITE POWDER COAT (RSRD, SSRD)

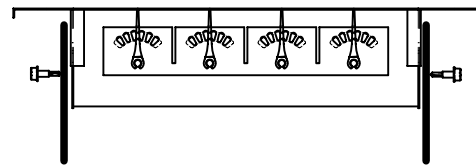
ALL METRIC DIMENSIONS ( ) ARE SOFT CONVERTED. IMPERIAL DIMENSIONS ARE CONVERTED TO METRIC AND ROUNDED TO THE NEAREST MILLIMETER.

<b>PROJECT:</b>		<b>PRICE®</b>	
<b>ENGINEER:</b>		<i>DS</i>	<b>RSTD</b> ROUND STEP TWIST DIFFUSER
<b>CUSTOMER:</b>			
<b>SUBMITTAL DATE:</b>	<b>SPEC. SYMBOL:</b>	2010/02/04	

**UNDERFLOOR DEFLECTION GRILL**



**SIDE MOUNT CONFIGURATION**



**END MOUNT CONFIGURATION**

**MATERIAL:**

- FRAME: STEEL
- BLADES: EXTRUDED ALUMINUM
- INDEXING PLATE: STAINLESS STEEL

**FINISH:**

- B12 WHITE
- B15 ALUMINUM
- MILL FINISH (STANDARD)

(OPTIONAL FINISHES AVAILABLE)

**NOTES:**

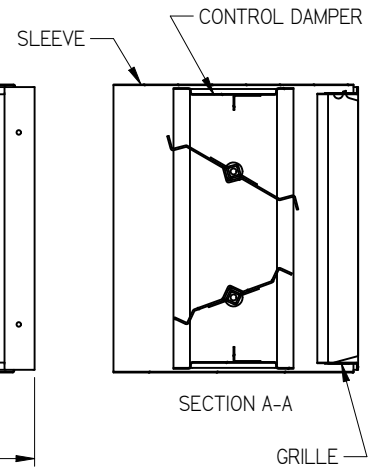
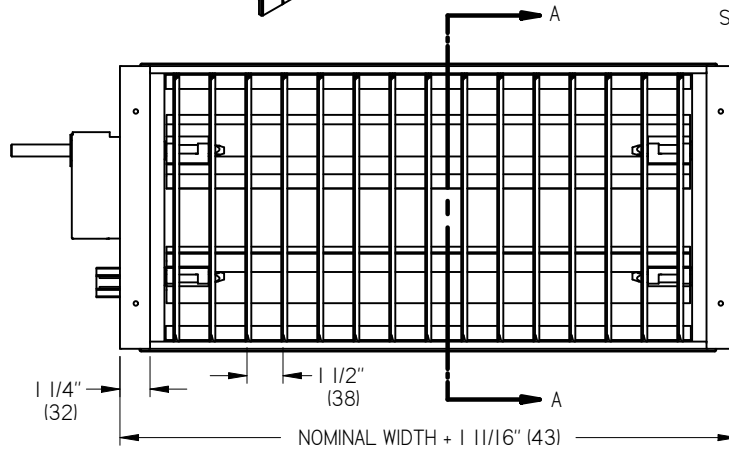
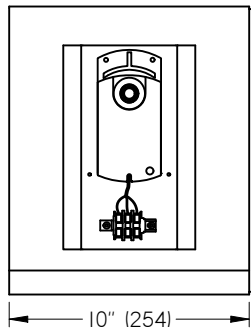
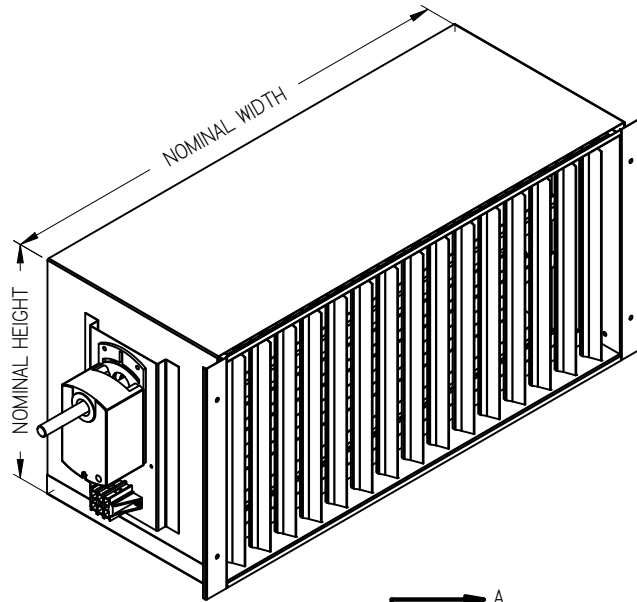
- AVAILABLE SIZES: MIN 12" X 12" (305 X 305)
- MAX 18" X 48" (458 X 1219) WITH 1" INCREMENTS
- BLADES INDEX AND LOCK INTO POSITION AT 0, 15, 30, AND 45 DEGREE DEFLECTIONS IN BOTH DIRECTIONS
- FACTORY TOLERANCE +/- 1/32" (1)
- 4 SHEETMETAL SCREWS PROVIDED

ALL METRIC DIMENSIONS ( ) ARE SOFT CONVERTED. IMPERIAL DIMENSIONS ARE CONVERTED TO METRIC AND ROUNDED TO THE NEAREST MILLIMETER.

<b>PROJECT:</b>		<b>PRICE</b>
<b>ENGINEER:</b>		
<b>CUSTOMER:</b>		245820
<b>SUBMITTAL DATE:</b>	<b>SPEC. SYMBOL:</b>	OCT 2006

**DGU**  
**DEFLECTION GRILLE**  
**FOR UNDERFLOOR**

**DGD UNDERFLOOR DEFLECTION GRILLE IT DAMPER**



**GRILLE:**

- COATED STEEL FRAME
- EXTRUDED ALUMINUM BLADES
- STAINLESS STEEL INDEXING PLATE
- BLADES INDEX AND LOCK IN POSITION AT 0°, 15°, 30° OR 45° DEFLECTION
- BLADES ARE VERTICAL

**DAMPER:**

- GALVANIZED STEEL FRAME
- GALVANIZED STEEL TRIPLE-VEE BLADES
- OPPOSED BLADE TYPE

**ACTUATOR:**

- 24VAC, NON-SPRING RETURN
- FLOATING CONTROL
- TERMINAL BLOCK WIRING CONNECTIONS

**SLEEVE:**

- GALVANIZED STEEL

**FINISH:**

- DAMPER - MILL FINISH
- SLEEVE - MILL FINISH
- GRILLE:
  - MILL FINISH (STANDARD)
  - B12 WHITE (OPTIONAL)
  - B15 ALUMINUM
 (OTHER OPTIONAL FINISHES AVAILABLE)

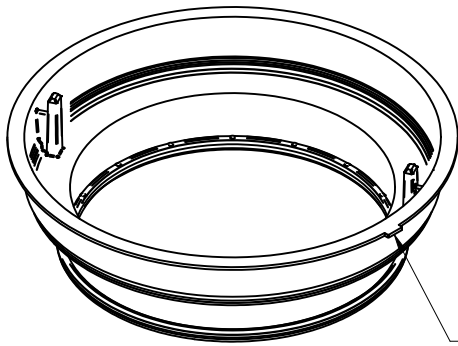
**NOTES:**

- MINIMUM 12"x12" (305x305)
- MAXIMUM 48"x18" (1219x457)
- AVAILABLE IN WIDTH INCREMENTS OF 4" (102) AND HEIGHT INCREMENTS OF 2" (51)
- FACTORY TOLERANCE ±1/32" (1)

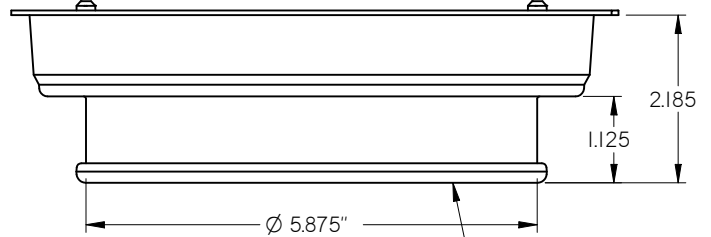
ALL METRIC DIMENSIONS ( ) ARE SOFT CONVERTED. IMPERIAL DIMENSIONS ARE CONVERTED TO METRIC AND ROUNDED TO THE NEAREST MILLIMETER.

<b>PROJECT:</b>		<b>PRICE</b>
<b>ENGINEER:</b>		
<b>CUSTOMER:</b>		<b>DGD</b>
<b>SUBMITTAL DATE:</b>		259500
<b>SPEC. SYMBOL:</b>		2012/01/06
<b>UNDERFLOOR DEFLECTION GRILLE WITH CONTROL DAMPER</b>		

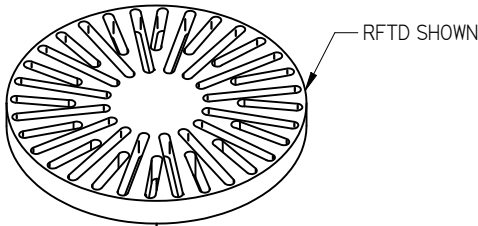
**RBC ROUND FLOOR BASKET WITH COLLAR**



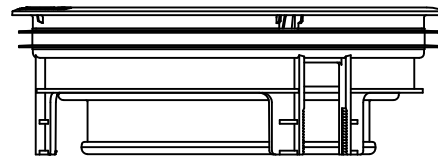
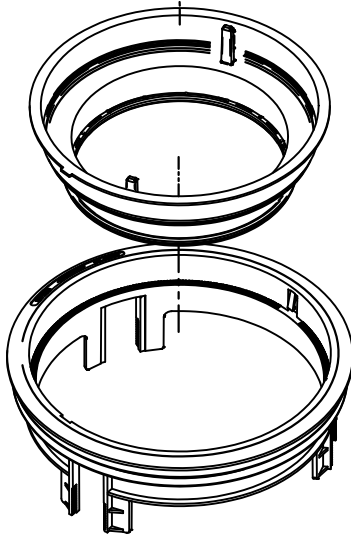
KEYED EDGE TO LOCK IN MOUNTING RING



BEADED DUCT COLLAR FOR FLEX CONNECTION



RFTD SHOWN



**FACE OPTIONS:**

- RFTD - ROUND FLOOR TURBULENT DIFFUSER
- ARFTD - ALUMINUM ROUND TURBULENT DIFFUSER
- RFID - ROUND FLOOR INCLINED FLOW DIFFUSER
- ARFID - ALUMINUM ROUND FLOOR INCLINED FLOW DIFFUSER
- RFDD - ROUND FLOOR DISPLACEMENT DIFFUSER
- ARFHD - ALUMINUM ROUND FLOOR HORIZONTAL DIFFUSER

**MOUNTING OPTIONS:**

- RPF - RING PRESS FIT (PLASTIC, ALUMINUM)
- ZC - ZIPCLIP (PLASTIC ONLY)
- RC - RING CLAW (ALUMINUM ONLY)

**FACE AND MOUNTING FINISH:**

- DUSTY GREY (PLASTIC)
- BLACK (PLASTIC)
- MILL (ALUMINUM)

**NOTES:**

- FITS IN ANY PRICE 8" UNDERFLOOR MOUNTING RING
- LOW PROFILE ALLOWS IT TO FIT UNDER ANY UNDERFLOOR DIFFUSER

**STANDARD RBC CONSTRUCTION:**

- BLACK FIRE RATED POLYMER

ALL METRIC DIMENSIONS ( ) ARE SOFT CONVERTED. IMPERIAL DIMENSIONS ARE CONVERTED TO METRIC AND ROUNDED TO THE NEAREST MILLIMETER.

<b>PROJECT:</b>		<b>PRICE</b>
<b>ENGINEER:</b>		
<b>CUSTOMER:</b>		DS
<b>SUBMITTAL DATE:</b>		256901
<b>SPEC. SYMBOL:</b>		2011/03/25
		<b>RBC ROUND FLOOR BASKET WITH COLLAR</b>