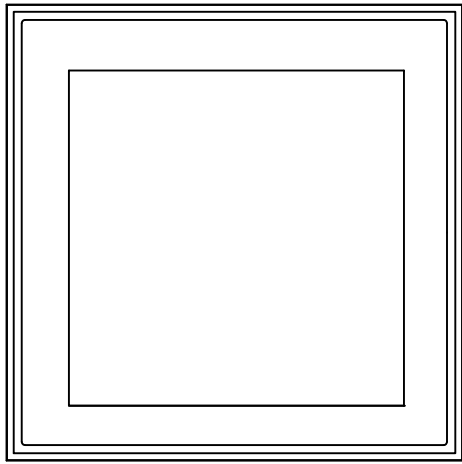
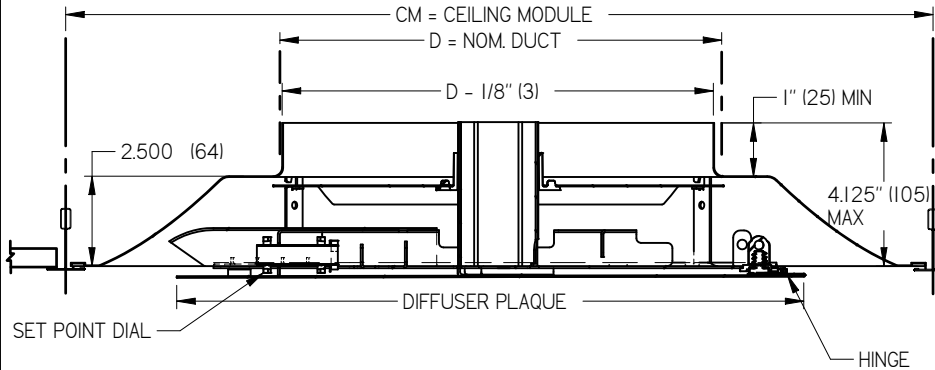
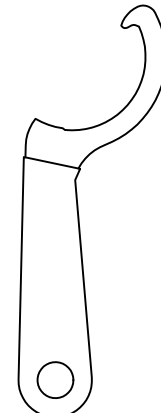


Varitherm® PLAQUE DIFFUSER

CM	NOMINAL DUCT
24 X 24	6,8,10,12
600 X 600	(152,203,254,305)



FACE VIEW



VPD-AT

FUNCTIONALITY:

- VPD-HC: VAV HEATING/COOLING
- VPD-C: VAV COOLING ONLY

OPTIONS:

- R6 MOLDED INSULATED BACK PAN (VPD STYLE 3 T-BAR 24x24 ONLY):

CONSTRUCTION:

- BACK PAN AND PLAQUE - CRS STEEL
- DAMPER - ALUMINUM
- PLASTIC COMPONENTS MEET UL 94V-0
- THERMAL SENSORS - BRASS
- CHASSIS AND LINKAGE SYSTEM - GALVANIZED STEEL

FINISH:

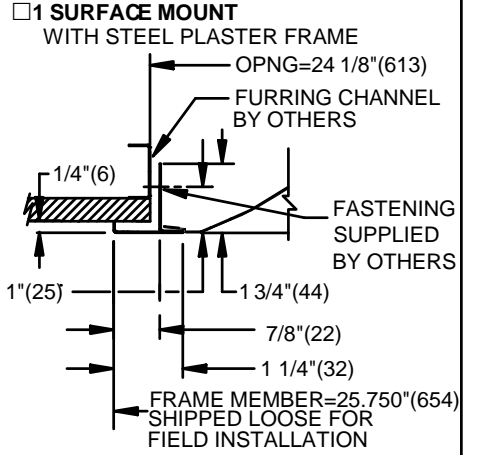
- B12 WHITE (OPTIONAL FINISHES AVAILABLE)

NOTES:

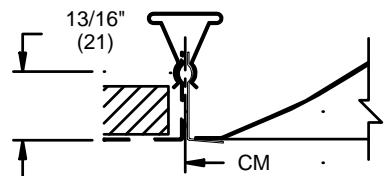
- VAV HEATING/COOLING (VPD-HC ONLY)
- FACTORY TOLERANCE +/- 1/32" (1)
- AUTO HEAT/COOL CHANGEOVER (VPD-HC ONLY)
- MIN AIRFLOW ADJUSTMENT/BALANCING MODE FROM FACE
- HINGED PLAQUE WITH MAGNETIC CLOSURE STANDARD
- VARITHERM ADJUSTMENT TOOL (VPD-AT) INCLUDED

ALL METRIC DIMENSIONS () ARE SOFT CONVERTED. IMPERIAL DIMENSIONS ARE CONVERTED TO METRIC AND ROUNDED TO THE NEAREST MILLIMETER.

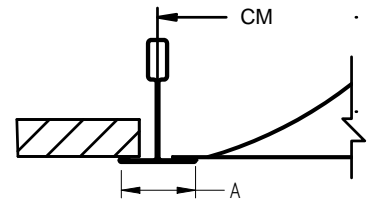
FRAMES:



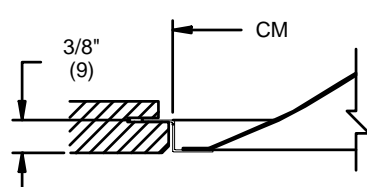
2 SNAP-IN



3 T-BAR A = 1" (25) or 9/16" (14)

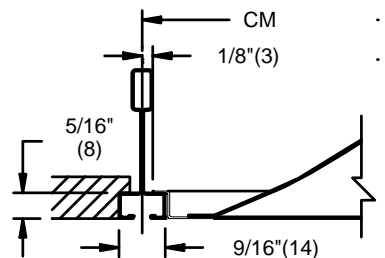


4 SPLINE



SPLINES ON TWO OPPOSITE SIDES ONLY

17 NARROW MEMBER



PROJECT:

ENGINEER:

CUSTOMER:

SUBMITTAL DATE:

SPEC. SYMBOL:



243085

JULY 2011

Varitherm®
VPD
PLAQUE DIFFUSER
SELF MODULATING
VAV HEATING/COOLING

Solid Edge