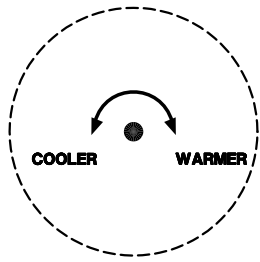
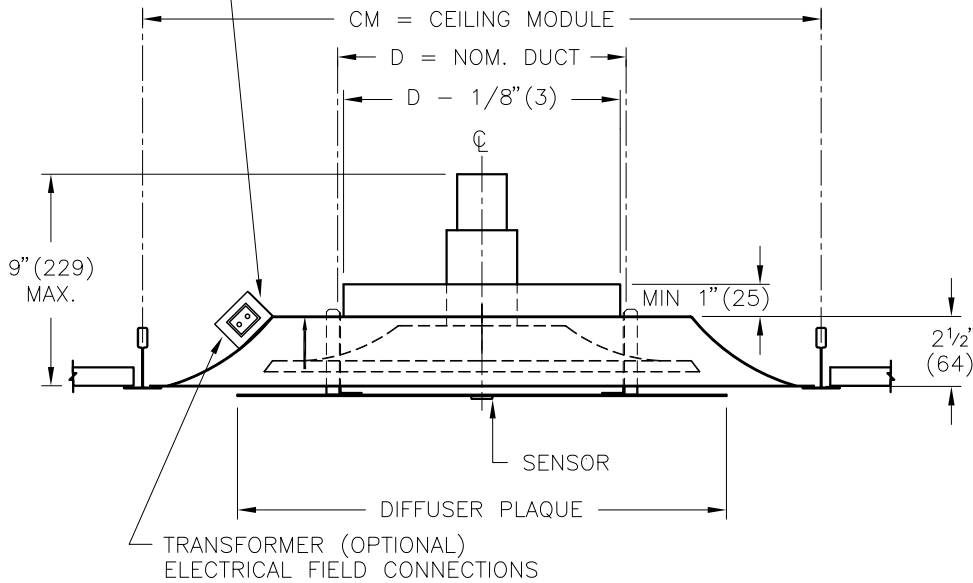


**PPD1 MASTER - Prodigy™ PLAQUE DIFFUSER**



SET POINT ADJUSTMENT @ JUNCTION BRACKET OF DIFFUSER

CM	NOMINAL DUCT
24 X 24	6,8,10,12,14
600 X 600	(152,203,254,305,356)



**NOTE:**

- VAV COOLING, CV (FULL FLOW) HEATING
- POWER SUPPLY REQUIREMENTS 24 VAC (2.5 VA PER UNIT)

**OPTIONS:**

- 115/24 VAC, 20 VA TRANSFORMER
- 277/24 VAC, 20 VA TRANSFORMER
- BACNET SYSTEM INTERFACE (MS/TP)
- INSULATED BACKPAN (PPD STYLE 31 T-BAR 24x24 & 600x600 ONLY)  
MATERIAL: 1/2" FIBERGLASS WITH FOIL/SCRIM VAPOR BARRIER

**FINISH:**

- B12 WHITE (OPTIONAL FINISHES AVAILABLE)

**MATERIAL:**

STEEL CONSTRUCTION

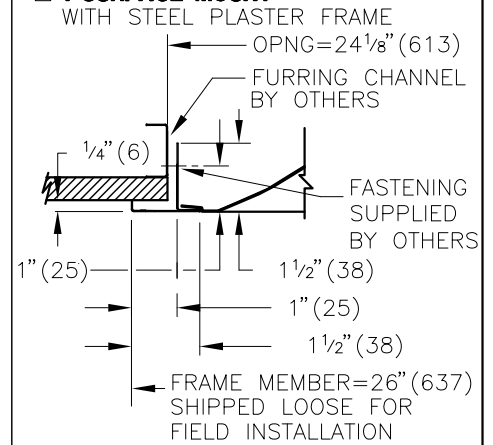
**AUXILIARY HEAT (7.5VA MAX.):**

- PULSE DELAY MODULATION  
- HOT WATER HEAT
- PULSE WIDTH MODULATION  
- ELECTRIC HEAT
- ON/OFF (DEFAULT)

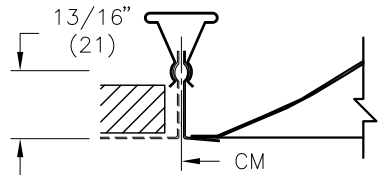
ALL METRIC DIMENSIONS ( ) ARE SOFT CONVERTED. IMPERIAL DIMENSIONS ARE CONVERTED TO METRIC AND ROUNDED TO THE NEAREST MILLIMETER.

**FRAMES:**

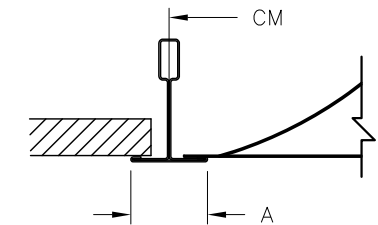
**1 SURFACE MOUNT**



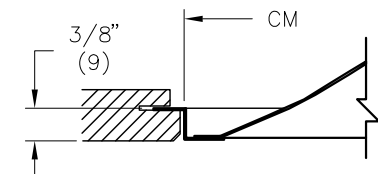
**2 SNAP-IN**



**3 T-BAR** A = 1" (25) or 9/16" (14)

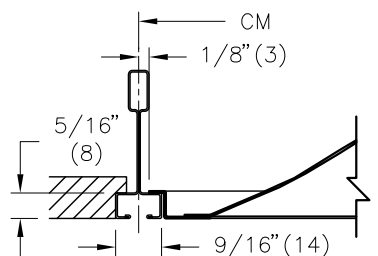


**4 SPLINE**



SPLINES ON TWO OPPOSITE SIDES ONLY

**17 NARROW MEMBER**



**PROJECT:**

**ENGINEER:**

**CUSTOMER:**

**SUBMITTAL DATE:**

**SPEC. SYMBOL:**



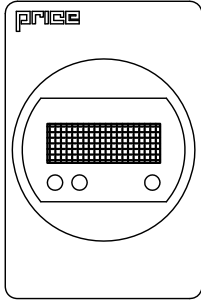
**PPD1 MASTER**

Prodigy PLAQUE DIFFUSER  
SELF MODULATING  
VAV COOLING  
CV (FULL FLOW) HEATING

227981

2011/07/05

**PPD2 MASTER - Prodigy™ PLAQUE DIFFUSER**

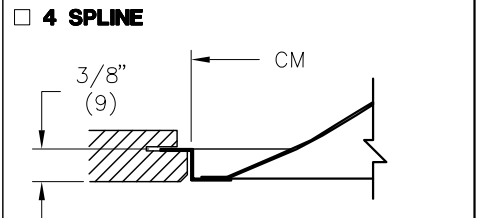
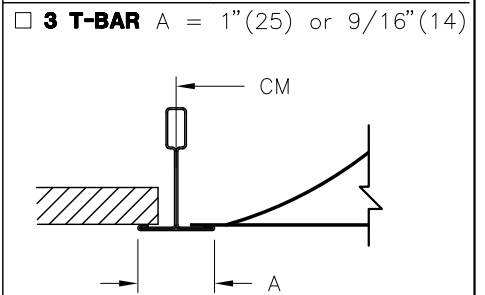
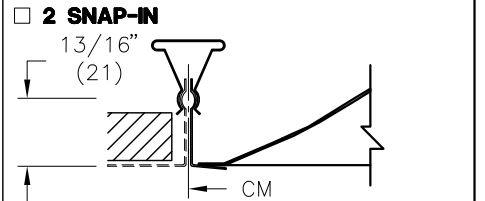
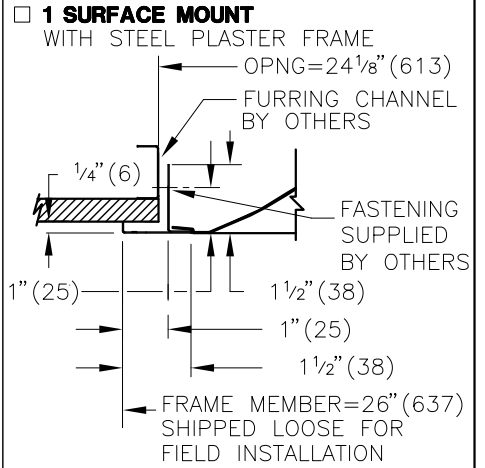


SET POINT ADJUSTMENT COMPLETE WITH WALL MOUNTED PPD2T T-STAT  
INCLUDES NETC35 (35') PLENUM RATED CABLE (RJ45 CONNECTION)

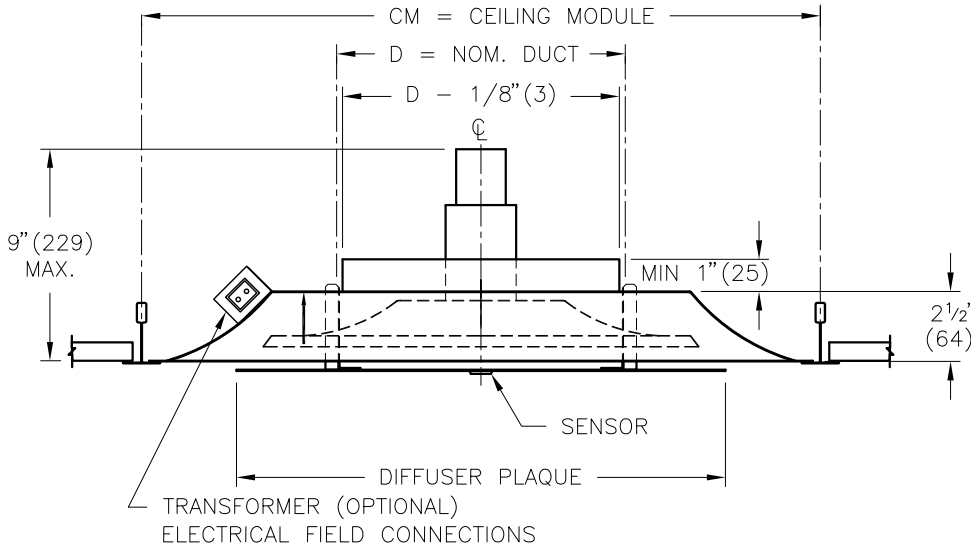
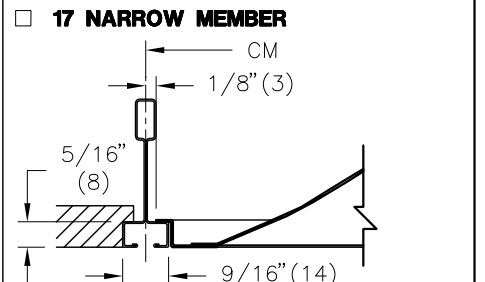
SEE SUBMITTAL 229708 FOR DETAILS

CM	NOMINAL DUCT
24 X 24	6,8,10,12,14
600 X 600	(152,203,254,305,356)

**FRAMES:**



SPLINES ON TWO OPPOSITE SIDES ONLY



**NOTE:**

- VAV COOLING, VAV HEATING
- POWER SUPPLY REQUIREMENTS 24 VAC (2.5 VA PER UNIT)

**OPTIONS:**

- 115/24 VAC, 20 VA TRANSFORMER
- 277/24 VAC, 20 VA TRANSFORMER
- BACNET SYSTEM INTERFACE (MS/TP)
- INSULATED BACKPAN (PPD STYLE 31 T-BAR 24x24 & 600x600 ONLY)  
MATERIAL: 1/2" FIBERGLASS WITH FOIL/SCRIM VAPOR BARRIER

**FINISH:**

- B12 WHITE  
(OPTIONAL FINISHES AVAILABLE)

**MATERIAL:**

STEEL CONSTRUCTION

**AUXILIARY HEAT (7.5VA MAX.):**

- PULSE DELAY MODULATION  
- HOT WATER HEAT
- PULSE WIDTH MODULATION  
- ELECTRIC HEAT
- ON/OFF (DEFAULT)

ALL METRIC DIMENSIONS ( ) ARE SOFT CONVERTED. IMPERIAL DIMENSIONS ARE CONVERTED TO METRIC AND ROUNDED TO THE NEAREST MILLIMETER.

**PROJECT:**

**ENGINEER:**

**CUSTOMER:**

**SUBMITTAL DATE:**

**SPEC. SYMBOL:**



232000

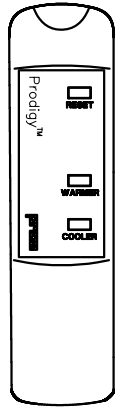
2011/07/05



**PPD2 MASTER**

Prodigy PLAQUE DIFFUSER  
SELF MODULATING  
VAV COOLING  
VAV HEATING

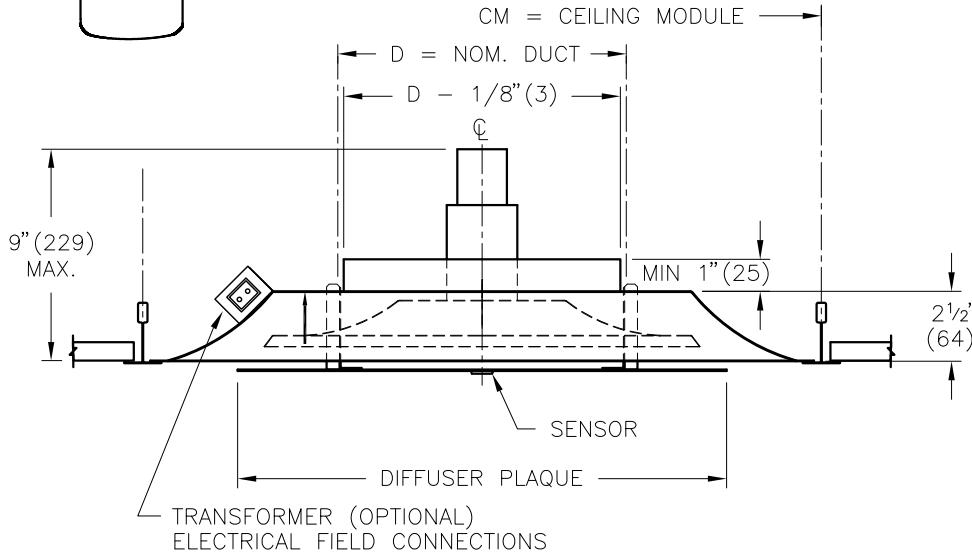
**PPD3 MASTER - Prodigy™ PLAQUE DIFFUSER**



SET POINT ADJUSTMENT  
COMPLETE WITH PPD3R IR REMOTE  
2 AAA BATTERIES INCLUDED

SEE SUBMITTAL 229707  
FOR DETAILS

CM	NOMINAL DUCT
24 X 24	6,8,10,12,14
600 X 600	(152,203,254,305,356)



**NOTE:**

- VAV COOLING, CV (FULL FLOW) HEATING
- POWER SUPPLY REQUIREMENTS 24 VAC (2.5 VA PER UNIT)

**OPTIONS:**

- 115/24 VAC, 20 VA TRANSFORMER
- 277/24 VAC, 20 VA TRANSFORMER
- BACNET SYSTEM INTERFACE (MS/TP)
- INSULATED BACKPAN (PPD STYLE 31 T-BAR 24x24 & 600x600 ONLY)  
MATERIAL: 1/2" FIBERGLASS WITH FOIL/SCRIM VAPOR BARRIER

**FINISH:**

- B12 WHITE  
(OPTIONAL FINISHES AVAILABLE)

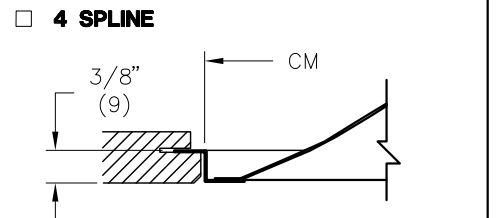
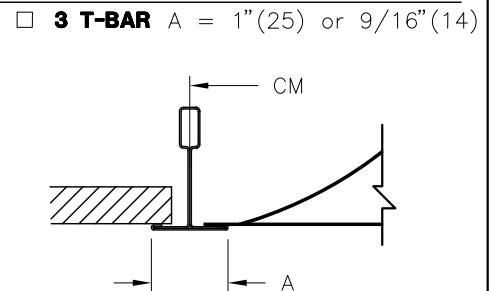
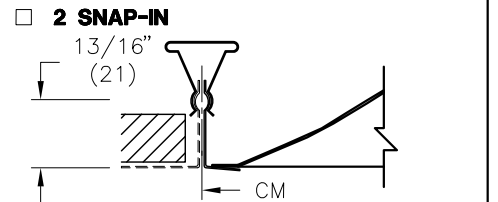
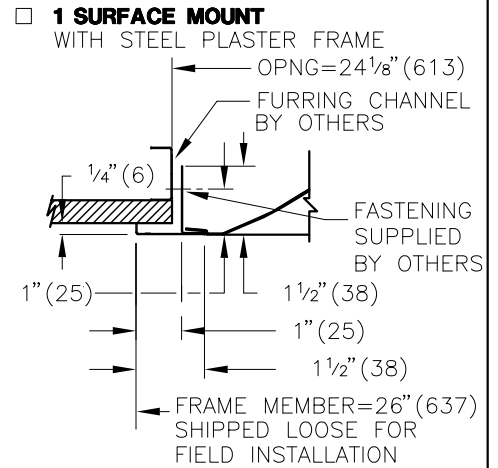
**MATERIAL:**

STEEL CONSTRUCTION

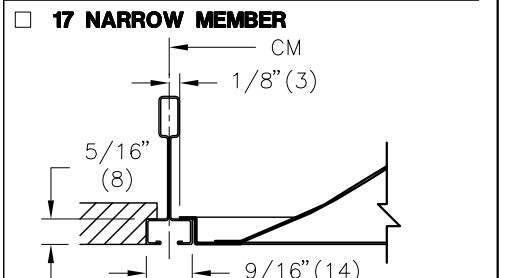
**AUXILIARY HEAT (7.5VA MAX.):**

- PULSE DELAY MODULATION  
- HOT WATER HEAT
- PULSE WIDTH MODULATION  
- ELECTRIC HEAT
- ON/OFF (DEFAULT)

**FRAMES:**



SPLINES ON TWO OPPOSITE SIDES ONLY



ALL METRIC DIMENSIONS ( ) ARE SOFT CONVERTED. IMPERIAL DIMENSIONS ARE CONVERTED TO METRIC AND ROUNDED TO THE NEAREST MILLIMETER.

**PROJECT:**

**ENGINEER:**

**CUSTOMER:**

**SUBMITTAL DATE:**

**SPEC. SYMBOL:**



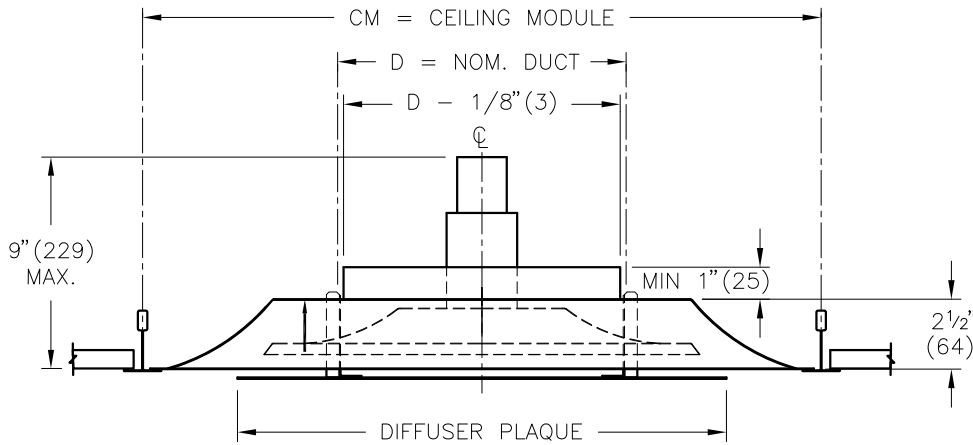
**PPD3 MASTER**

Prodigy PLAQUE DIFFUSER  
SELF MODULATING  
VAV COOLING  
CV (FULL FLOW) HEATING

232001

2011/07/05

**PPDD DRONE- Prodigy™ PLAQUE DIFFUSER**



CM	NOMINAL DUCT
24 X 24	6,8,10,12,14
600 X 600	(152,203,254,305,356)

**NOTE:**

- DUPLICATES DAMPER POSITION OF MASTER
- POWER SUPPLY REQUIREMENTS 24 VAC (3.0 VA PER UNIT)
- LIMIT OF 5 DRONES PER MASTER
- INCLUDES C35-35' PLENUM RATED CABLE WHICH SUPPLIES DRONE WITH POWER & SIGNAL FROM MASTER UNIT (RJ-12 CONNECTION)

**MATERIAL:**

STEEL CONSTRUCTION

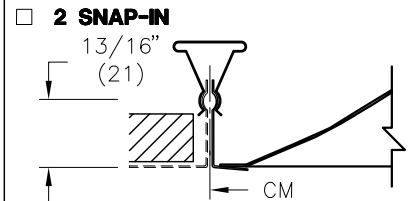
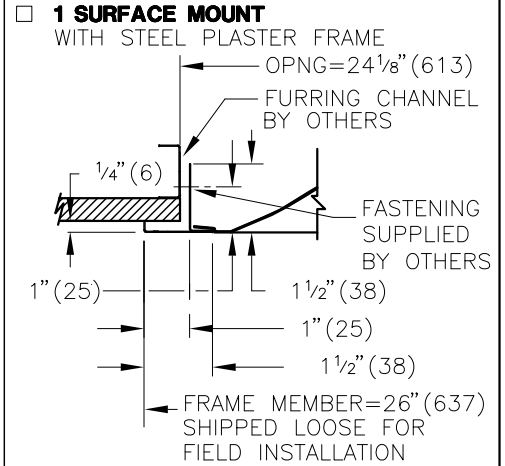
**OPTION:**

- INSULATED BACKPAN (PPD STYLE 31 T-BAR 24x24 & 600x600 ONLY)  
MATERIAL: 1/2" FIBERGLASS WITH FOIL/SCRIM VAPOR BARRIER

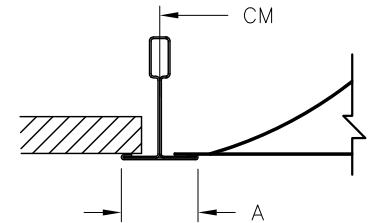
**FINISH:**

- B12 WHITE  
(OPTIONAL FINISHES AVAILABLE)

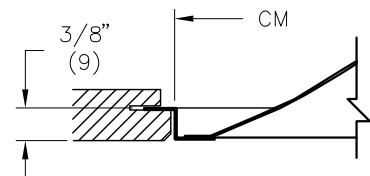
**FRAMES:**



- 3 T-BAR** A = 1" (25) or 9/16" (14)

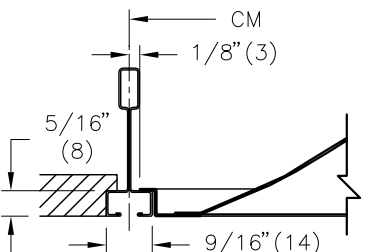


- 4 SPLINE**



SPLINES ON TWO OPPOSITE SIDES ONLY

- 17 NARROW MEMBER**



ALL METRIC DIMENSIONS ( ) ARE SOFT CONVERTED. IMPERIAL DIMENSIONS ARE CONVERTED TO METRIC AND ROUNDED TO THE NEAREST MILLIMETER.

**PROJECT:**

**ENGINEER:**

**CUSTOMER:**

**SUBMITTAL DATE:**

**SPEC. SYMBOL:**



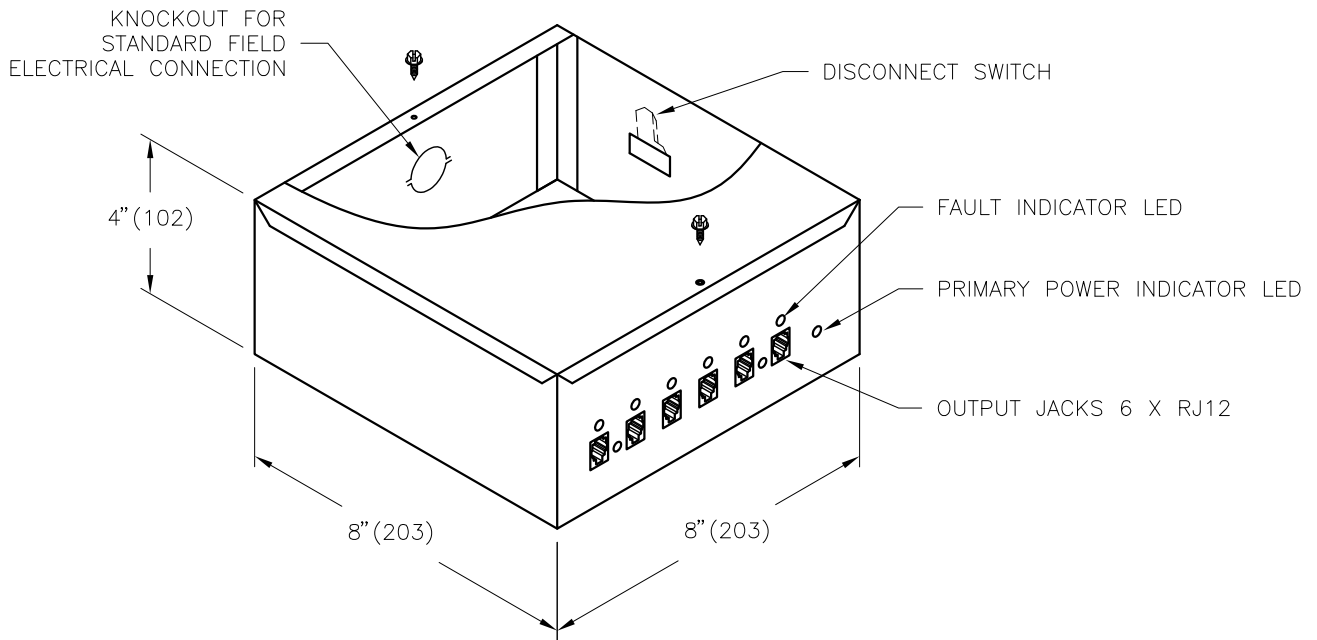
**PPDD DRONE**

Prodigy PLAQUE DIFFUSER  
SELF MODULATING

232002

2011/07/05

**PPM POWER MODULE - Prodigy™ PLAQUE DIFFUSER**



**NOTE:**

- 96 VA CLASS 2 TRANSFORMER W/ RESETTABLE CIRCUIT BREAKER PROTECTION
- ETL CERTIFIED
- 3 X 1/4" (6) MOUNTING HOLES ON BOTTOM - MAY BE MOUNTED IN ANY ORIENTATION
- ONE C35-35FT PLENUM RATED CABLE REQUIRED FOR EACH SUPPORTED MASTER: ORDER SEPARATELY (CABLE CONNECTORS AVAILABLE FOR LONGER RUNS, AND CABLE SPLITTERS TO DAISY CHAIN POWER).
- ELECTRICAL SPECIFICATIONS & LIMITATIONS
  - TOTAL CONNECTED LOAD NOT TO EXCEED 96VA (15 DEVICES).
  - EACH PRODIGY UNIT DRAWS 3VA.
  - EACH AUXILIARY HEAT MECHANICAL RELAY CAN DRAW UP TO 7.5VA
- SPECIFICATIONS FOR EACH OF THE 6 OUTPUT JACKS
  - 20VA RESETABLE THERMAL FUSE PROTECTED WITH FAULT INDICATOR LED.
  - SUPPORTS UP TO 6 PRODIGY DIFFUSERS TO A MAXIMUM DISTANCE OF 175'.
  - SUPPORTS ONLY ONE MECHANICAL RELAY (7.5VA MAX.) FOR AUXILIARY HEAT OUTPUT TO A MAXIMUM DISTANCE OF 105'. (NO LIMITATION APPLIES TO ELECTRONIC SOLID STATE RELAYS).

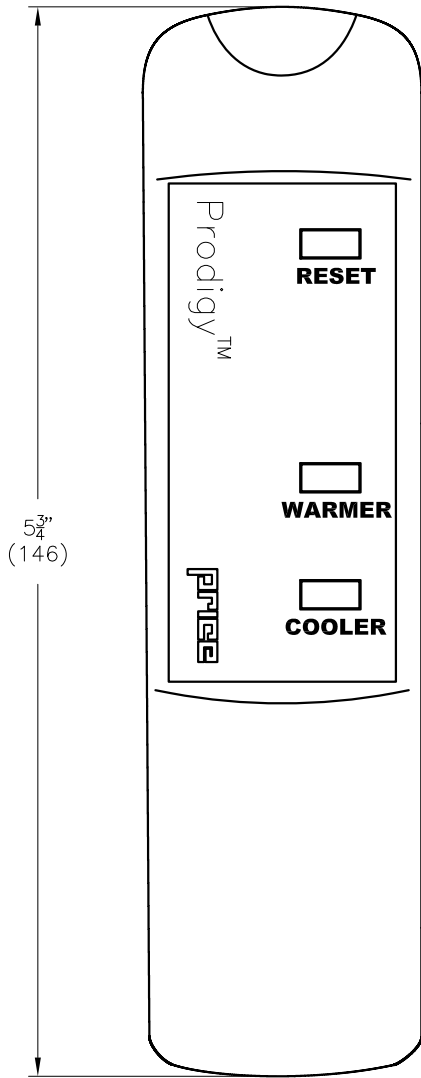
**OPTIONS:**

- PPM115-115/24 VAC 96 VA TRANSFORMER
- PPM240-240/24 VAC 96 VA TRANSFORMER
- PPM277-277/24 VAC 96 VA TRANSFORMER
- PPM480-480/24 VAC 96 VA TRANSFORMER



ALL METRIC DIMENSIONS ( ) ARE SOFT CONVERTED. IMPERIAL DIMENSIONS ARE CONVERTED TO METRIC AND ROUNDED TO THE NEAREST MILLIMETER.

<b>PROJECT:</b>		<b>PRICE®</b>	
<b>ENGINEER:</b>		<i>R</i>	<b>PPM</b> Prodigy PLAQUE DIFFUSER POWER MODULE
<b>CUSTOMER:</b>		232004	
<b>SUBMITTAL DATE:</b>	<b>SPEC. SYMBOL:</b>	2011/07/05	REV B



**ADJUSTING BUTTONS:**

- RESET BUTTON RESETS DIFFUSER TO FACTORY PRESET 73°F ± 1°F (23°C ± 0.5°C)(USER FEEDBACK: DIFFUSER BEEPS ONCE, LED FLASHES ONCE).
- WARMER BUTTON INCREASES SETPOINT APPROXIMATELY 1°F PER PRESS. (USER FEEDBACK: DIFFUSER BEEPS TWICE, LED FLASHES TWICE)
- COOLER BUTTON DECREASES SETPOINT APPROXIMATELY 1° F PER PRESS (USER FEEDBACK: DIFFUSER BEEPS THREE TIMES, LED FLASHES THREE TIMES)

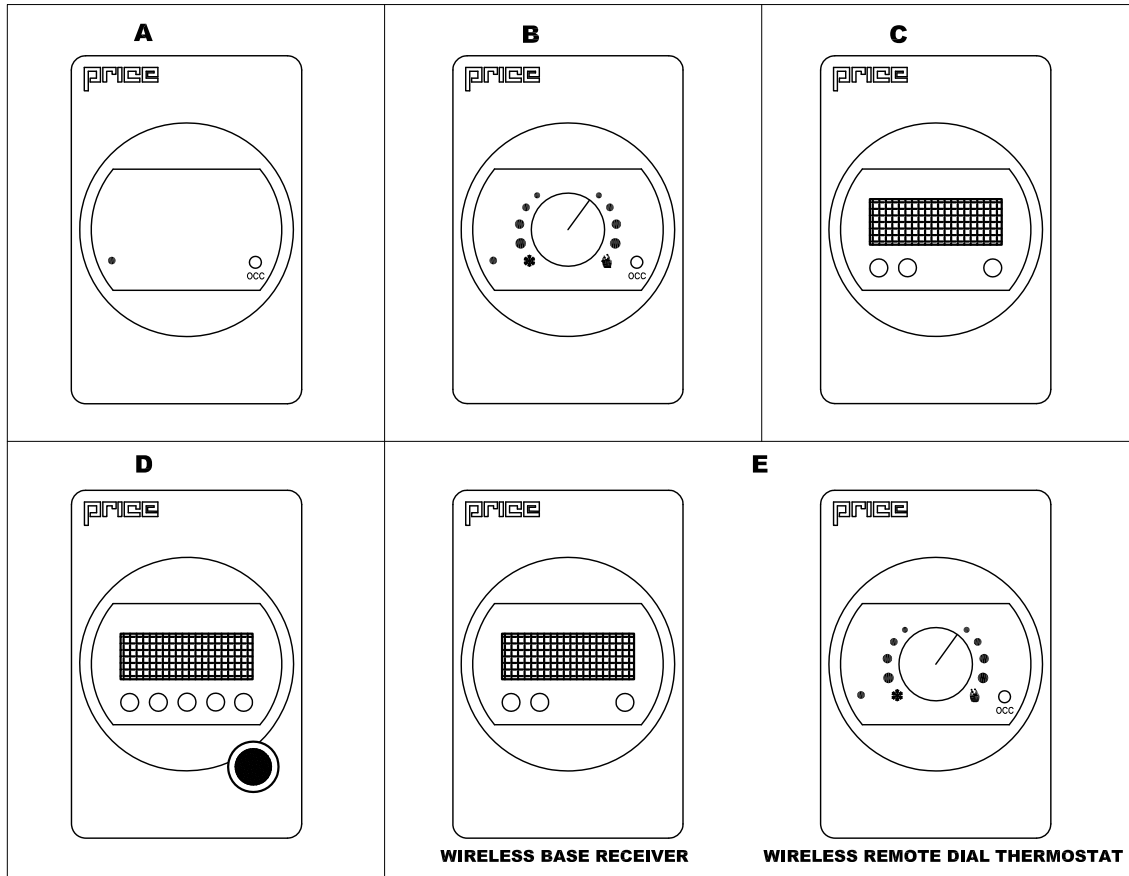
**NOTE:**

- INFRARED TRANSMISSION.
- USED FOR ROOM SETPOINT ADJUSTMENT.
- POINT REMOTE AT DIFFUSER. VISUAL AND AUDIO FEEDBACK OCCURS.
- REQUIRES 2 AAA BATTERIES (INCLUDED).

ALL METRIC DIMENSIONS ( ) ARE SOFT CONVERTED. IMPERIAL DIMENSIONS ARE CONVERTED TO METRIC AND ROUNDED TO THE NEAREST MILLIMETER.

<b>PROJECT:</b>		<b>PRICE</b> <sup>®</sup>	
<b>ENGINEER:</b>		<i>RV</i>	<b>PPD3R</b> HAND HELD IR REMOTE
<b>CUSTOMER:</b>		229707	
<b>SUBMITTAL DATE:</b>	<b>SPEC. SYMBOL:</b>	2011/07/26	REV B

**AVAILABLE T-STAT OPTIONS (FACE VIEW)**



**THERMOSTAT OPTIONS:**

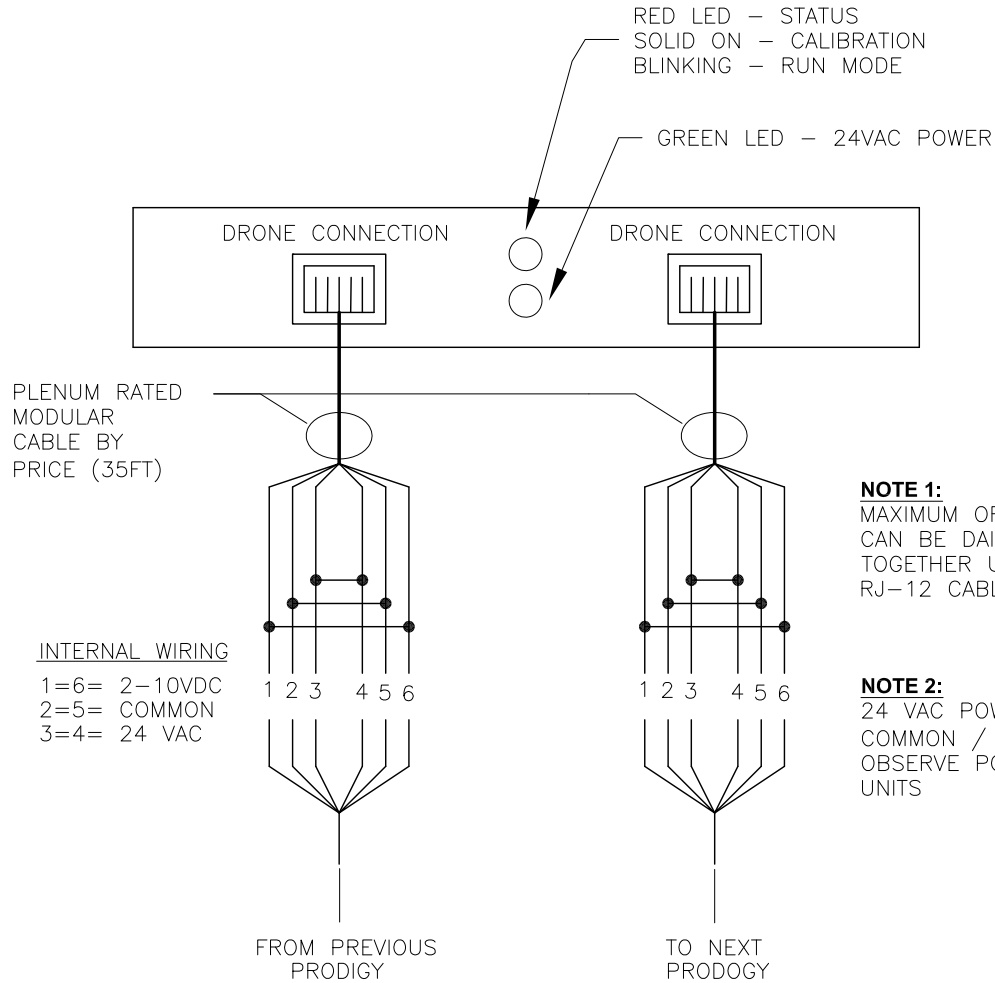
- A** – PIC-TS-SENS      **D** – PIC-TS-MOT
- B** – PIC-TS-DIAL      **E** – PIC-TS-WIRELESS
- C** – PIC-TS-LCD

**NOTE:**

- WALL MOUNTED T-STAT USED WITH PPD2.
- RJ-45 CONNECTION ON BACK SIDE OF T-STAT FOR EASY INSTALLATION.
- USED FOR SENSING ROOM TEMPERATURE WHEN PPD2 IS IN HEATING MODE.
- NETC35 – 35 FT. PLENUM-RATED CABLE INCLUDED FOR CONNECTION TO PRODIGY UNIT.

ALL METRIC DIMENSIONS ( ) ARE SOFT CONVERTED. IMPERIAL DIMENSIONS ARE CONVERTED TO METRIC AND ROUNDED TO THE NEAREST MILLIMETER.

<b>PROJECT:</b>		<b>PRICE</b> <sup>®</sup>	
<b>ENGINEER:</b>		<i>RV</i>	<b>PPD2T</b> T-STAT PPD SERIES
<b>CUSTOMER:</b>		229708	
<b>SUBMITTAL DATE:</b>	<b>SPEC. SYMBOL:</b>	2011/07/08	



LINE LEGEND

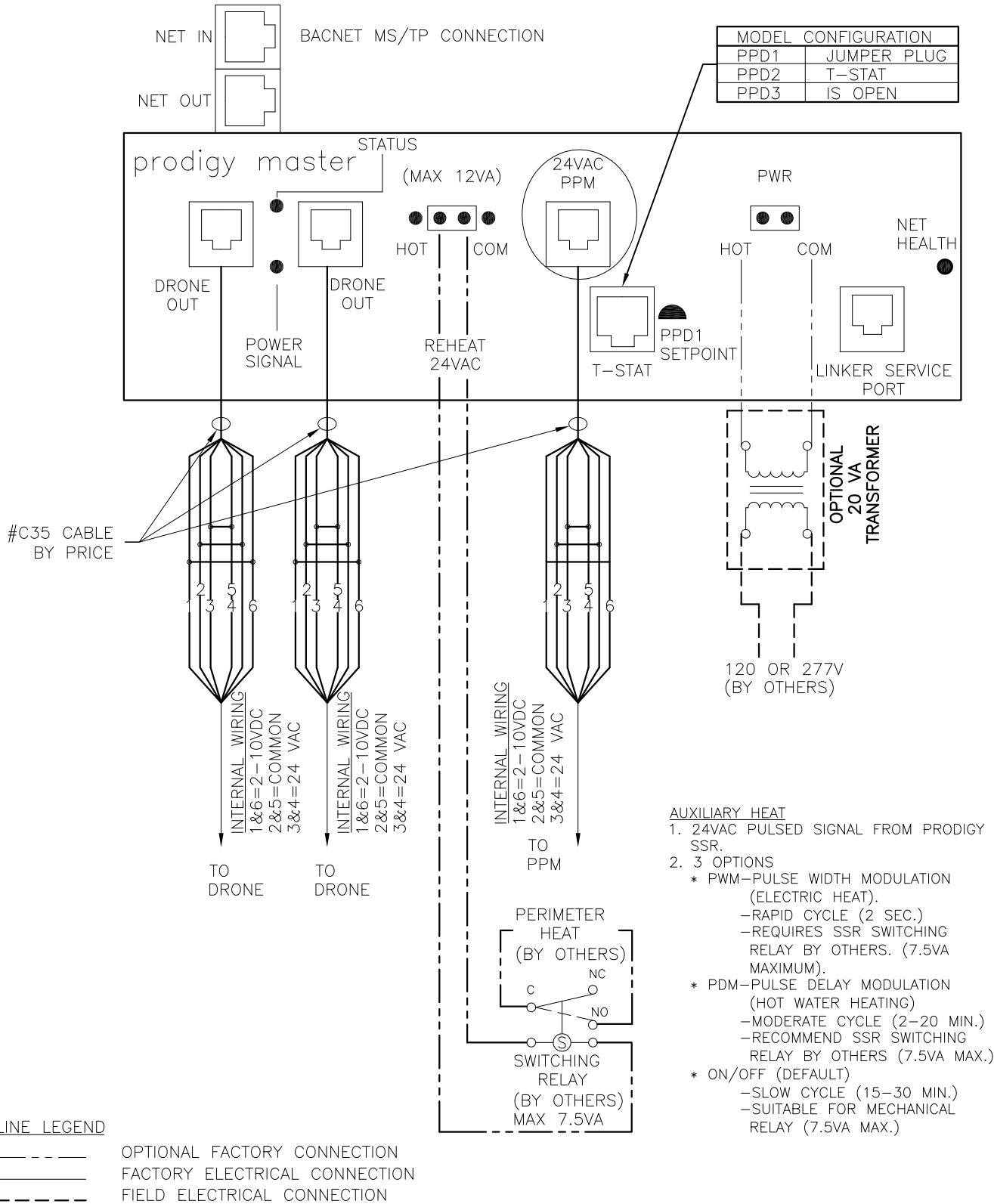
- OPTIONAL FACTORY CONNECTION
- FACTORY ELECTRICAL CONNECTION
- FIELD ELECTRICAL CONNECTION

SIGNAL	DAMPER POSITION
0-2 VDC	NO SIGNAL DAMPER GOES TO 50%
2-10 VDC	PROPORTIONAL 2 VDC = MIN, 10 VDC = MAX

POWER
EACH DRONE USES 3.0VA
INPUT IMPEDANCE 200K (2-10 VDC SIGNAL)

ALL METRIC DIMENSIONS ( ) ARE SOFT CONVERTED. IMPERIAL DIMENSIONS ARE CONVERTED TO METRIC AND ROUNDED TO THE NEAREST MILLIMETER.

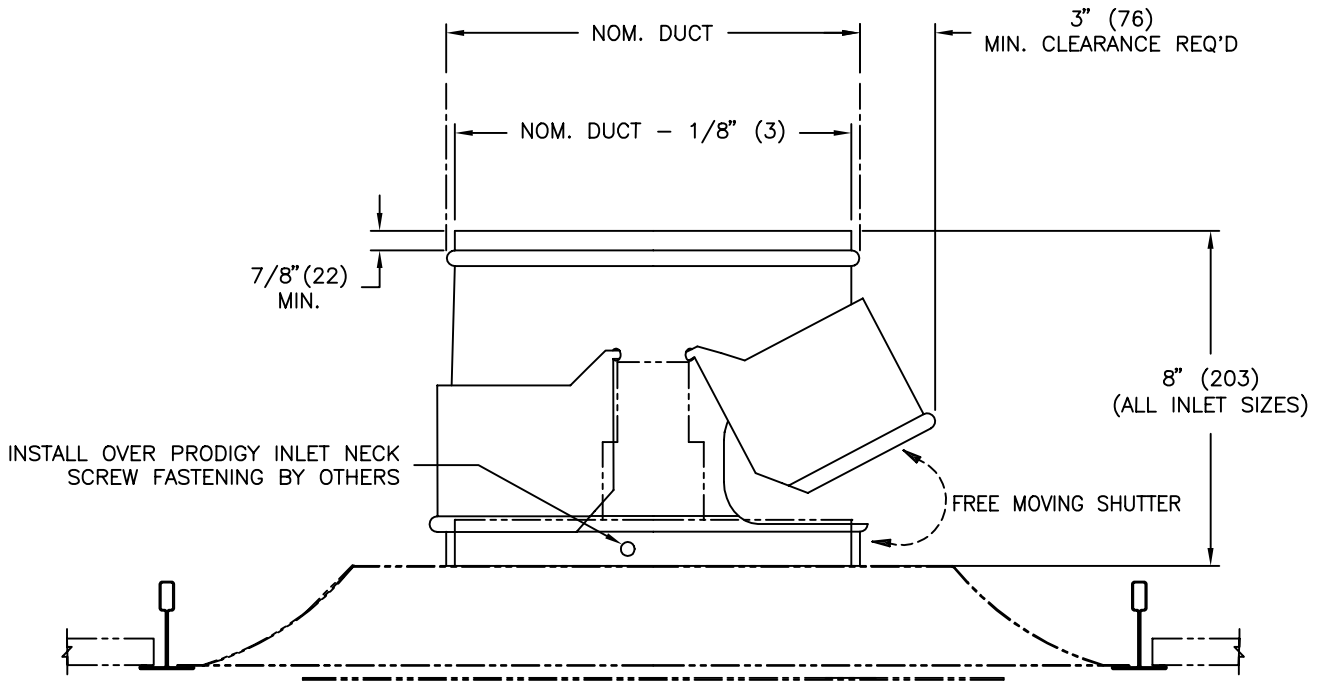
<b>PROJECT:</b>		<b>PRICE</b> <sup>®</sup>	
<b>ENGINEER:</b>		<i>RV</i>	<b>PRODIGY</b> DRONE WIRING DIAGRAM PPDD
<b>CUSTOMER:</b>		229930	
<b>SUBMITTAL DATE:</b>	<b>SPEC. SYMBOL:</b>	2011/07/05	



ALL METRIC DIMENSIONS ( ) ARE SOFT CONVERTED. IMPERIAL DIMENSIONS ARE CONVERTED TO METRIC AND ROUNDED TO THE NEAREST MILLIMETER.

<b>PROJECT:</b>		<b>PRICE</b> <sup>®</sup>	
<b>ENGINEER:</b>		 232031	<b>PRODIGY</b> MASTER WIRING DIAGRAM PPD 1, 2 OR 3 WITH BACnet OPTION
<b>CUSTOMER:</b>			
<b>SUBMITTAL DATE:</b>	<b>SPEC. SYMBOL:</b>	2011/07/05	

**PRC - PRESSURE RELIEF COLLAR**



TYPICAL INSTALLATION WITH PRODIGY DIFFUSER (SHIPPED SEPARATELY)

NOMINAL DUCT
6,8,10,12,14
(102,203,254,305,356)

**NOTES:**

- UNIT IS SHIPPED WITH SHUTTERS TAPED SHUT. REMOVE TAPE AFTER SYSTEM IS BALANCED FOR MAXIMUM FLOW.
- PRC IS A STATIC PRESSURE RELIEF DEVICE TO BE USED ONLY IN CEILINGS WITH AN OPEN (NON-DUCTED) RETURN AIR PLENUM.

**MATERIAL:**

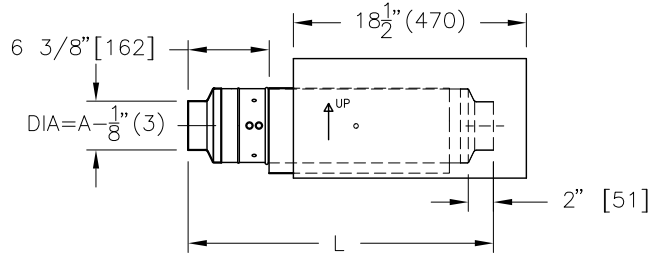
- STEEL CONSTRUCTION

**FINISH:**

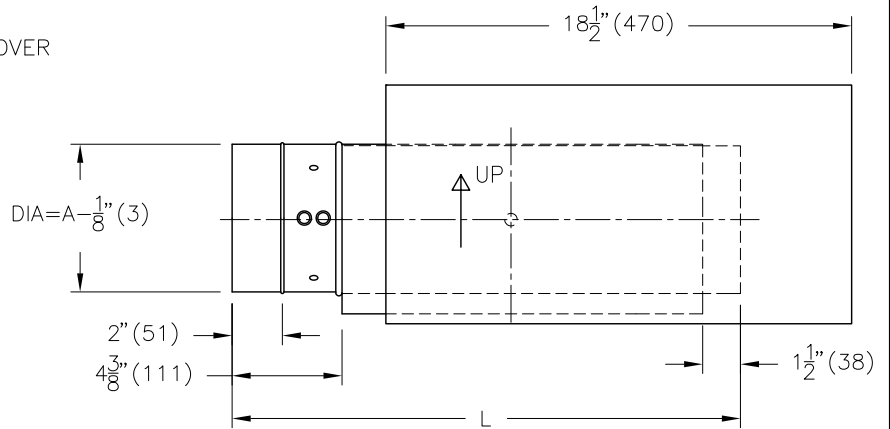
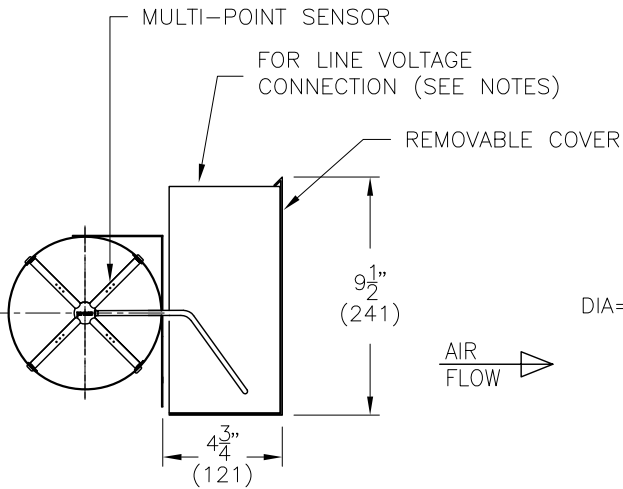
- GALVANIZED

ALL METRIC DIMENSIONS ( ) ARE SOFT CONVERTED. IMPERIAL DIMENSIONS ARE CONVERTED TO METRIC AND ROUNDED TO THE NEAREST MILLIMETER.

<b>PROJECT:</b>		<b>PRICE<sup>®</sup></b>	
<b>ENGINEER:</b>		<i>fk</i>	<b>PRC</b> PRESSURE RELIEF COLLAR FOR Prodigy <sup>®</sup> PLAQUE DIFFUSER
<b>CUSTOMER:</b>		231164	
<b>SUBMITTAL DATE:</b>	<b>SPEC. SYMBOL:</b>	SEPT 2000	



SIZE 4 AND 5 HAVE 6"Ø DUCT WITH INLET AND DISCHARGE REDUCER AS SHOWN.



UNIT SIZE	L/S RANGE	CFM RANGE	S.I. UNITS mm		IMPERIAL UNITS in.	
			A	L	A	L
4	0 - 106	0 - 225	102	619	4	24 <sup>3</sup> / <sub>8</sub>
5	0 - 165	0 - 350	127			
6	0 - 212	0 - 450	152			
7	0 - 307	0 - 650	178	518	7	20 <sup>3</sup> / <sub>8</sub>
8	0 - 378	0 - 800	203			
9	0 - 496	0 - 1050	229			
10	0 - 637	0 - 1350	254	530	10	20 <sup>7</sup> / <sub>8</sub>
12	0 - 991	0 - 2100	305	587	12	23 <sup>1</sup> / <sub>8</sub>
14	0 - 1416	0 - 3000	356	613	14	24 <sup>1</sup> / <sub>8</sub>
16	0 - 1888	0 - 4000	406	664	16	26 <sup>1</sup> / <sub>8</sub>

**NOTES:**

- 22 GA. ZINC COATED STEEL HOUSING. MECHANICALLY SEALED AND GASKETED, LEAK RESISTANT CONSTRUCTION.
- CONTROL ASSEMBLY WILL BE SUPPLIED AS ILLUSTRATED ON RIGHT HAND SIDE UNLESS SPECIFIED OTHERWISE.
- LINE VOLTAGE MUST NOT EXCEED 277VAC.
- PRESSURE INDEPENDENT

ALL METRIC DIMENSIONS ( ) ARE SOFT CONVERTED. IMPERIAL DIMENSIONS ARE CONVERTED TO METRIC AND ROUNDED TO THE NEAREST MILLIMETER.

**PPRV INCLUDES:**

- ELECTRONIC CONTROLLER & ACTUATOR, FACTORY MOUNTED.

**OPTION:**

- 24VAC TRANSFORMER (SUPPLY VOLTAGE AND VA DEPENDENT UPON APPLICATION) CSA CERTIFIED.
- DISCONNECT SWITCH.

**PROJECT:**

**ENGINEER:**

**CUSTOMER:**

**SUBMITTAL DATE:**

**SPEC. SYMBOL:**

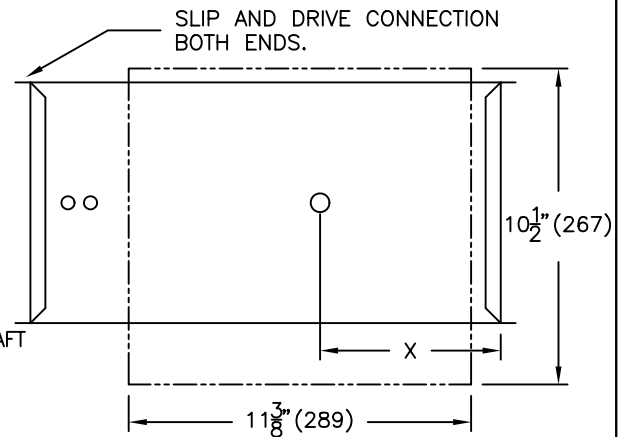
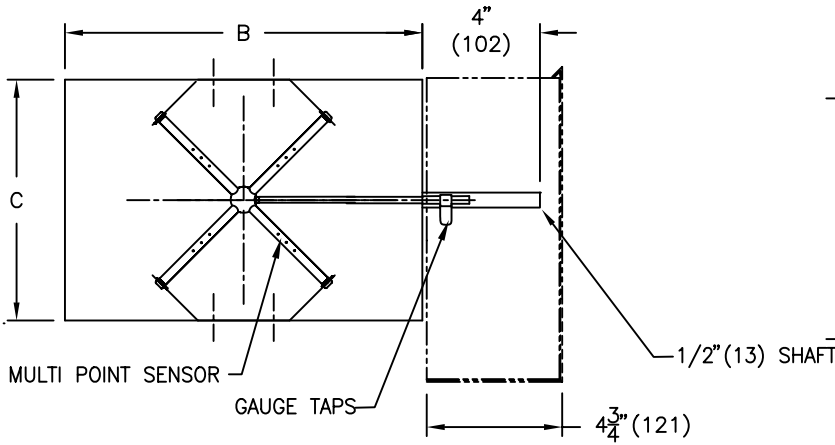
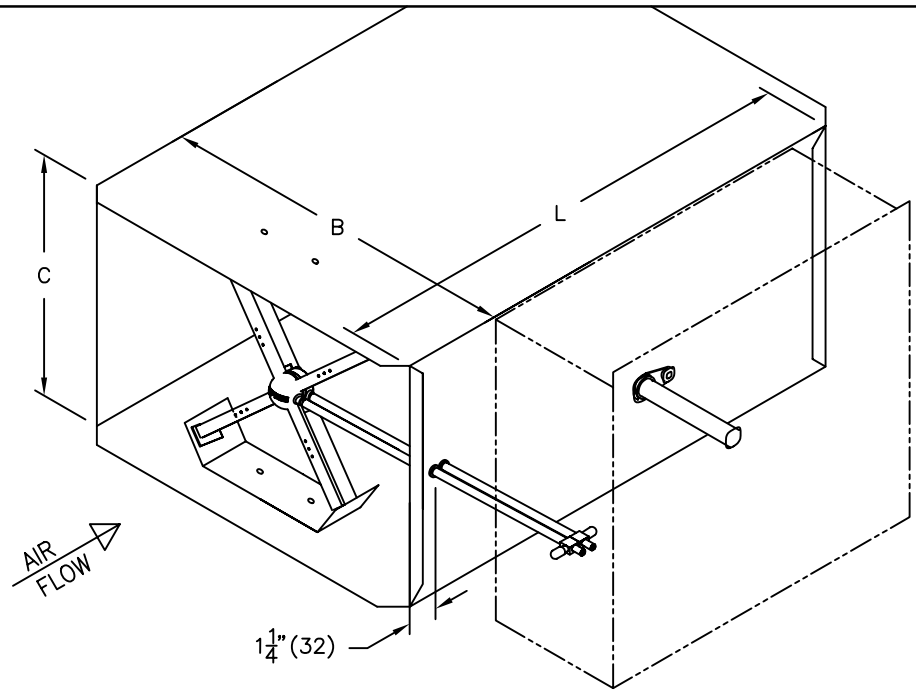
**PRICE®**

**BE**

242308

2010/06/03

**PCV**  
PRESSURE CONTROL VALVE (ROUND)



UNIT SIZE	SI UNITS mm				IMPERIAL UNITS inches			
	B	C	L	X	B	C	L	X
12x8	305	203	371	152	12	8	14 <sup>5</sup> / <sub>8</sub>	6
12x10		254						
14x12	356	318	473	178	14	12 <sup>1</sup> / <sub>2</sub>	18 <sup>5</sup> / <sub>8</sub>	7
16x15	406	381	229	203	16	15	20 <sup>9</sup> / <sub>8</sub>	8

**NOTES:**

- 22 GA. ZINC COATED STEEL HOUSING. MECHANICALLY SEALED AND GASKETED, LEAK RESISTANT CONSTRUCTION.
- CONTROL ASSEMBLY WILL BE SUPPLIED AS ILLUSTRATED ON RIGHT HAND SIDE UNLESS SPECIFIED OTHERWISE.
- LINE VOLTAGE MUST NOT EXCEED 277VAC.
- PRESSURE INDEPENDENT

ALL METRIC DIMENSIONS ( ) ARE SOFT CONVERTED. IMPERIAL DIMENSIONS ARE CONVERTED TO METRIC AND ROUNDED TO THE NEAREST MILLIMETER.

<b>PROJECT:</b>		<b>PRICE®</b>	
<b>ENGINEER:</b>		JR	<b>PCV</b> PRESSURE CONTROL VALVE (RECTANGULAR)
<b>CUSTOMER:</b>			
<b>SUBMITTAL DATE:</b>	<b>SPEC. SYMBOL:</b>	APR. 2005	