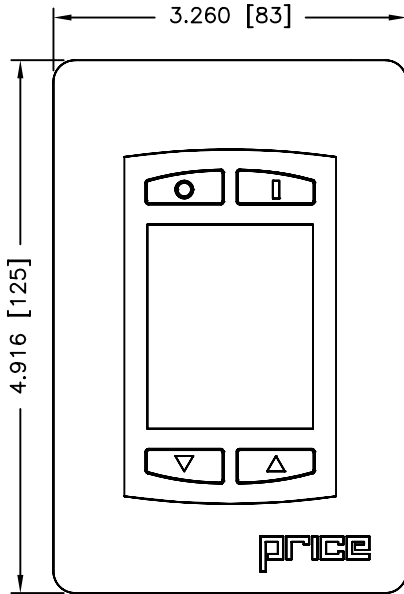
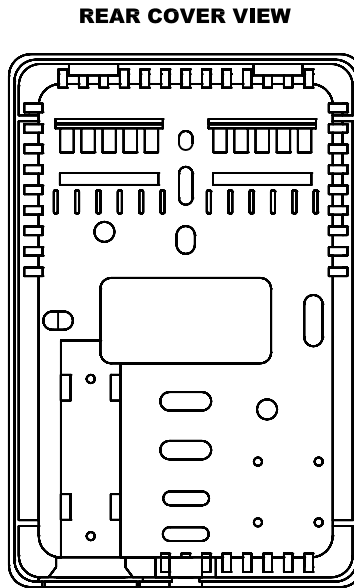


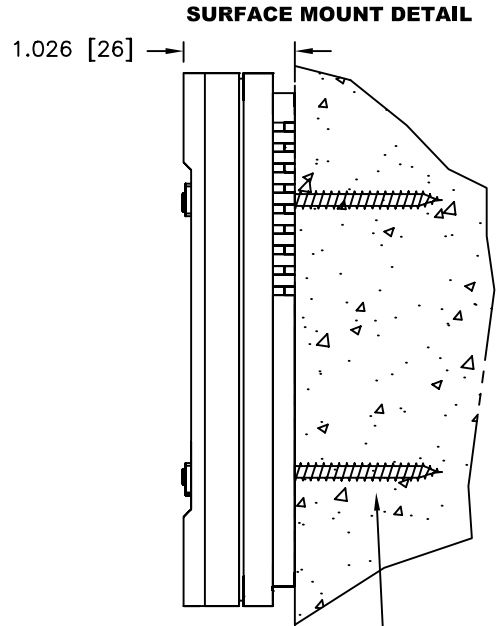
PCDT PRICE CONTROLLING DIGITAL THERMOSTAT



FACE VIEW

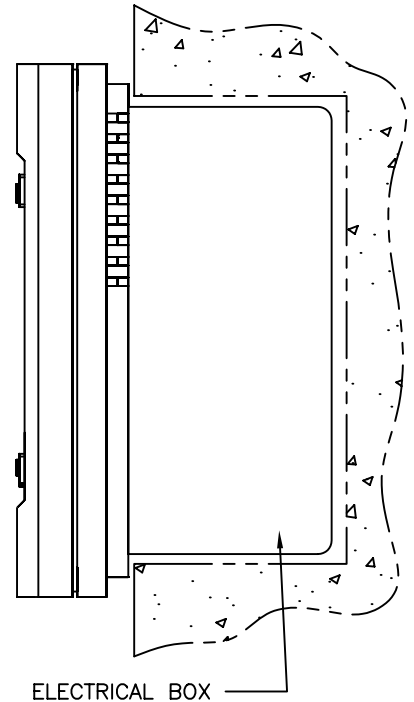


REAR COVER VIEW



WALL FASTENERS BY OTHERS

ELECTRICAL BOX MOUNT DETAIL



NOTE:

- ALL TERMINALS ARE CLASS 2 50VA MAX 24V AL 50/60 Hz.

SPECIFICATIONS:

POWER REQUIREMENTS

- 24 VAC, 4VA (UP TO 16 VA WITH THE INTERNALLY POWERED TRIAC AT FULL LOAD) CLASS II

COMMUNICATION PORT

- BACnet MS/TP CONNECTION
- COMMUNICATION SPEED @ 9600, 19200, 38400 OR 76800 BPS (DEFAULT)

INPUT (INTERNAL TEMPERATURE SENSOR)

- THERMISTOR INPUT - 10,000 OHM @ 77°F (25°C)
- DISPLAY RESOLUTION OF 0.1°F OR °C

WEIGHT

- 0.11b (50g)

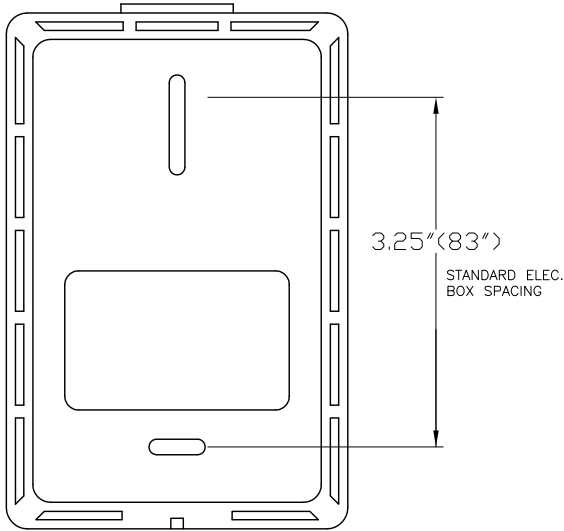


ALL METRIC DIMENSIONS () ARE SOFT CONVERTED. IMPERIAL DIMENSIONS ARE CONVERTED TO METRIC AND ROUNDED TO THE NEAREST MILLIMETER.

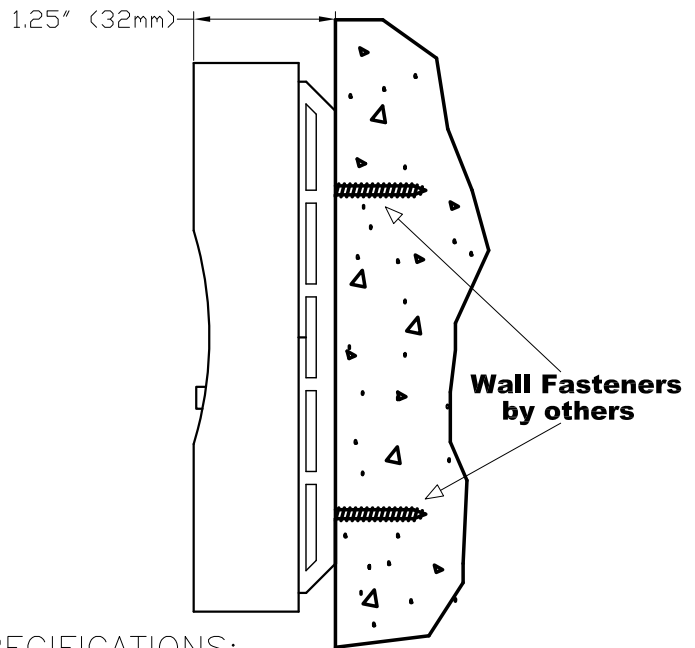
PROJECT:		PRICE®	
ENGINEER:		BG	PCDT PRICE CONTROLLING DIGITAL THERMOSTAT
CUSTOMER:		240255	
SUBMITTAL DATE:	SPEC. SYMBOL:	SEPT 03	

Price LCD Thermostat with Motion Sensor

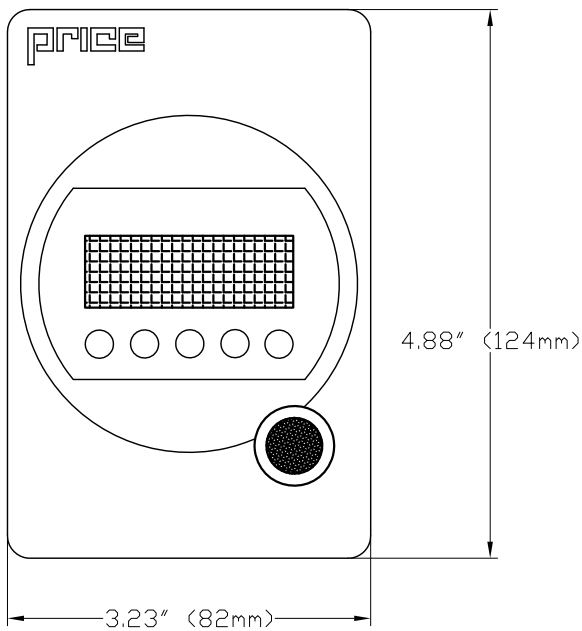
Backplate - Rear View



Surface Mount Detail



Face View



SPECIFICATIONS:

POWER REQUIREMENTS:

- POWER IS SUPPLIED FROM THE MAIN CONTROLLER (PIC, PRODIGY, ETC.)

COMMUNICATION PORT:

- RJ-45 CONNECTION TO THE MAIN CONTROLLER
- RJ-12 CONNECTION TO THE PRICE USB LINKER SETUP TOOL

FEATURES:

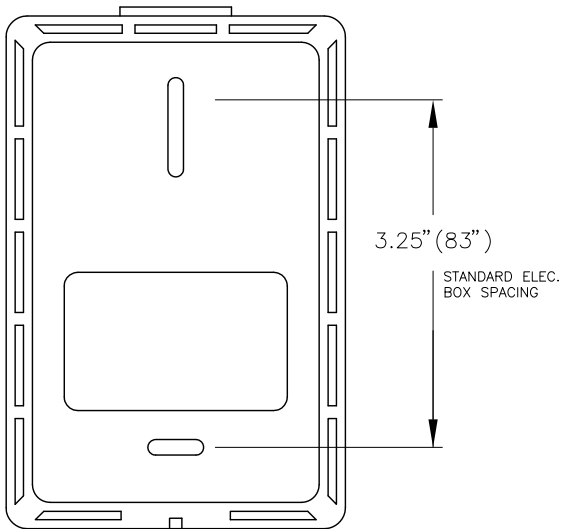
- ROOM TEMPERATURE IS MEASURED BY AN INTERNAL 10K TYPE J THERMISTOR WITH AN ACCURACY OF +/- 0.5°F FROM 55°F TO 85°F (+/- 0.25°C FROM 13°C TO 25°C)
- LCD SCREEN WITH COOL-BLUE BACKLIGHT
- PUSH BUTTON SETPOINT ADJUSTMENT
- SYSTEM SETUP AND BALANCING DIRECTLY FROM THERMOSTAT
- BUILT IN PASSIVE INFRARED (PIR) MOTION SENSOR FOR AUTOMATIC DETECTION OF OCCUPANCY

ALL METRIC DIMENSIONS () ARE SOFT CONVERTED. IMPERIAL DIMENSIONS ARE CONVERTED TO METRIC AND ROUNDED TO THE NEAREST MILLIMETER.

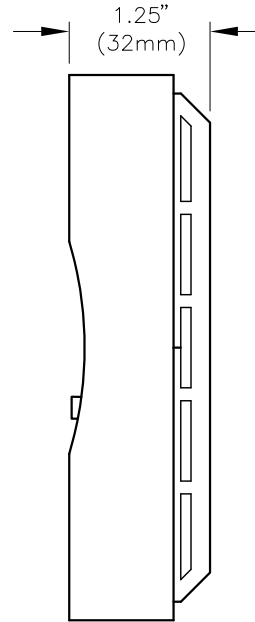
PROJECT:		PRICE [®]	
ENGINEER:		<i>mm</i>	CONTROLS PRICE LCD THERMOSTAT with MOTION SENSOR
CUSTOMER:		250053-100	
SUBMITTAL DATE:	SPEC. SYMBOL:	2010/03/29	

Price Wireless Base Receiver

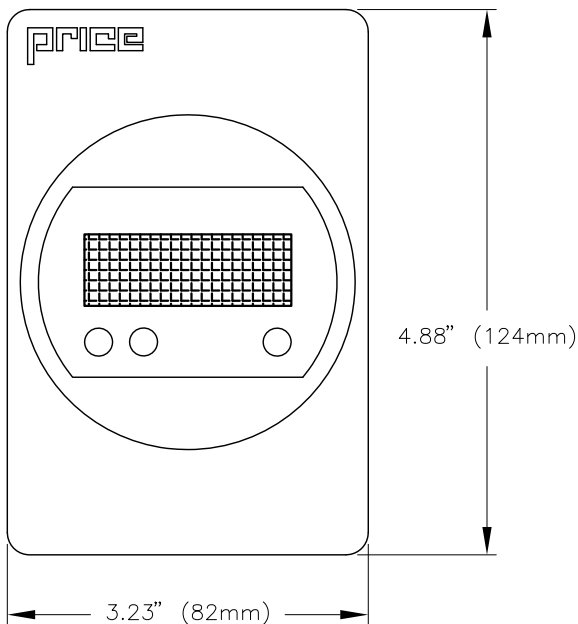
Backplate - Rear View



Surface Mount Detail



Face View



SPECIFICATIONS:

POWER REQUIREMENTS:

- POWER IS SUPPLIED FROM THE MAIN CONTROLLER (PIC, PRODIGY, ETC.)
- INCLUDES NETC CABLE

COMMUNICATION PORT:

- FCC CERTIFIED WIRELESS MODULE
- RJ-45 CONNECTION TO THE MAIN CONTROLLER

FEATURES:

- LCD SCREEN WITH COOL-BLUE BACKLIGHT
- WIRELESS SETUP INFORMATION
- RANGE UP TO 100 FEET

NOTE: CONCRETE OR METAL WALLS AND FLOOR TILES WILL REDUCE THE RANGE.

IMPORTANT NOTE:

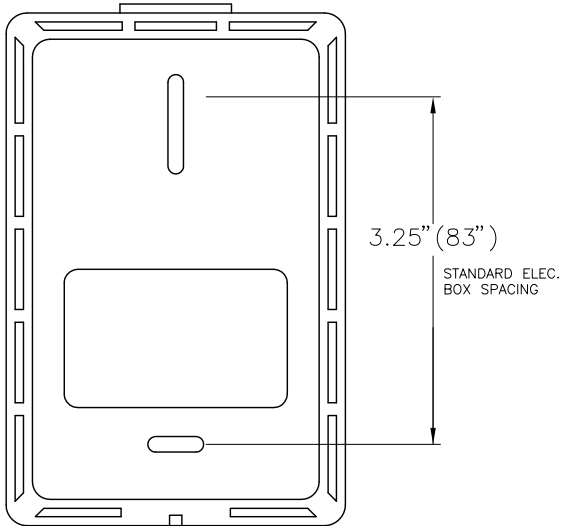
For Underfloor applications the BASE receiver must be mounted in a plastic DBS (Round Damper Basket) to allow RF signals to pass through the metal tiles.

ALL METRIC DIMENSIONS () ARE SOFT CONVERTED. IMPERIAL DIMENSIONS ARE CONVERTED TO METRIC AND ROUNDED TO THE NEAREST MILLIMETER.

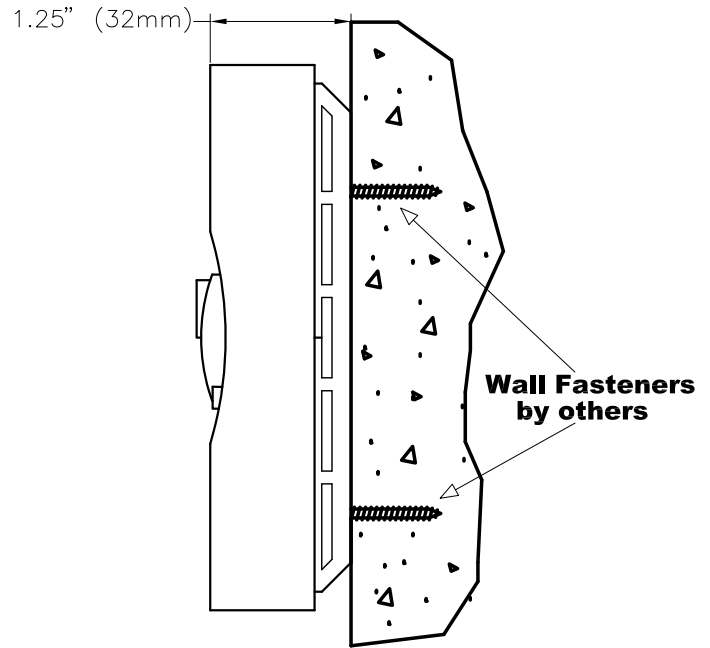
PROJECT:		PRICE [®]	
ENGINEER:		<i>mm</i>	CONTROLS PRICE WIRELESS BASE RECEIVER THERMOSTAT
CUSTOMER:		250054-001	
SUBMITTAL DATE:	SPEC. SYMBOL:	2010/03/22	

Price Wireless Remote Dial Thermostat

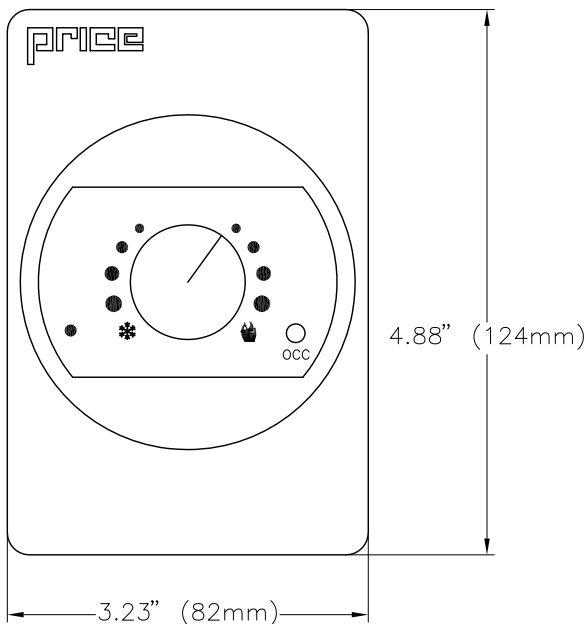
Backplate - Rear View



Surface Mount Detail



Face View



SPECIFICATIONS:

POWER REQUIREMENTS:

- 2 AA LITHIUM BATTERIES

COMMUNICATION:

- FCC CERTIFIED WIRELESS MODULE

FEATURES:

- DIAL ADJUSTMENT FOR TEMPERATURE CONTROL
- ROOM TEMPERATURE IS MEASURED BY AN INTERNAL 10K TYPE J THERMISTOR WITH AN ACCURACY OF +/- 0.5°F FROM 55°F TO 85°F (+/- 0.25°C FROM 13°C TO 25°C)
- PUSHBUTTON AND LED FOR STATUS INDICATION
- RANGE UP TO 100 FEET

NOTE: CONCRETE OR METAL WALLS AND FLOOR TILES WILL REDUCE THE RANGE.

ALL METRIC DIMENSIONS () ARE SOFT CONVERTED. IMPERIAL DIMENSIONS ARE CONVERTED TO METRIC AND ROUNDED TO THE NEAREST MILLIMETER.

PROJECT:		PRICE [®]	
ENGINEER:		<i>mm</i>	CONTROLS PRICE WIRELESS REMOTE DIAL THERMOSTAT
CUSTOMER:		250054-002	
SUBMITTAL DATE:	SPEC. SYMBOL:	2010/03/22	