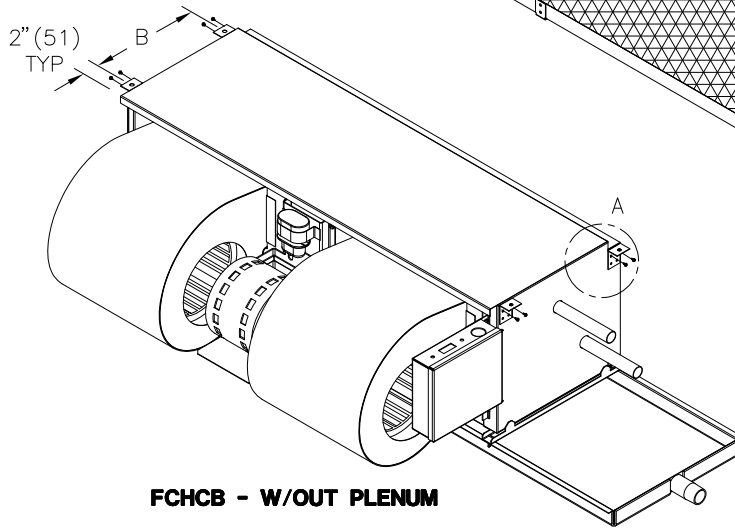
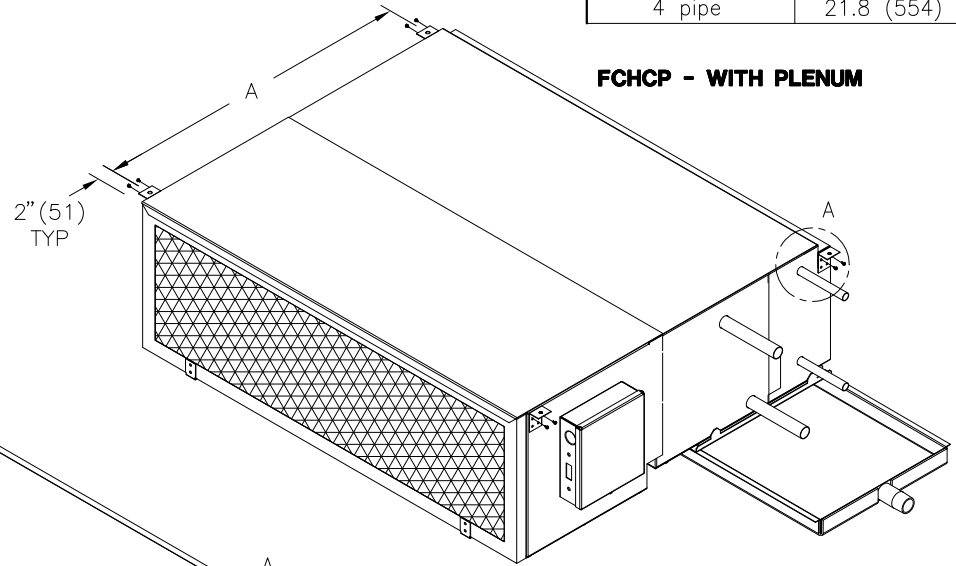
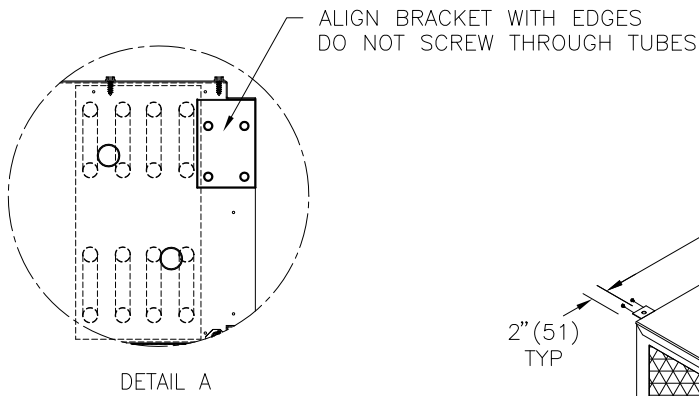
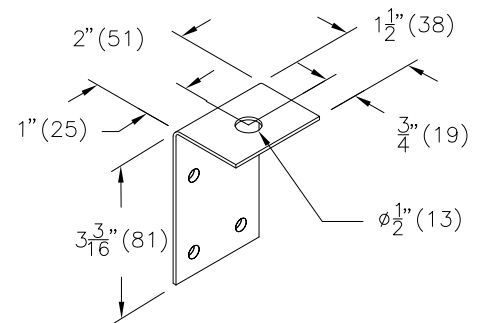


**HANGER BRACKETS (HB) LOCATION**

Pipe System	A
1or2 row 2 pipe	13.2 (335)
3or4 row 2 pipe	18.2 (462)
4 pipe	21.8 (554)



Pipe System	B
1or2 row 2 pipe	2 (51)
3or4 row 2 pipe	7 (178)
4 pipe	11 (279)



**NOTES:**

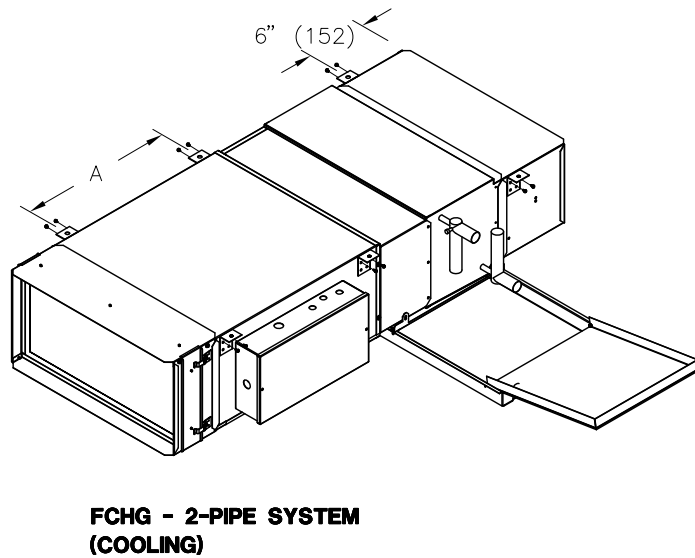
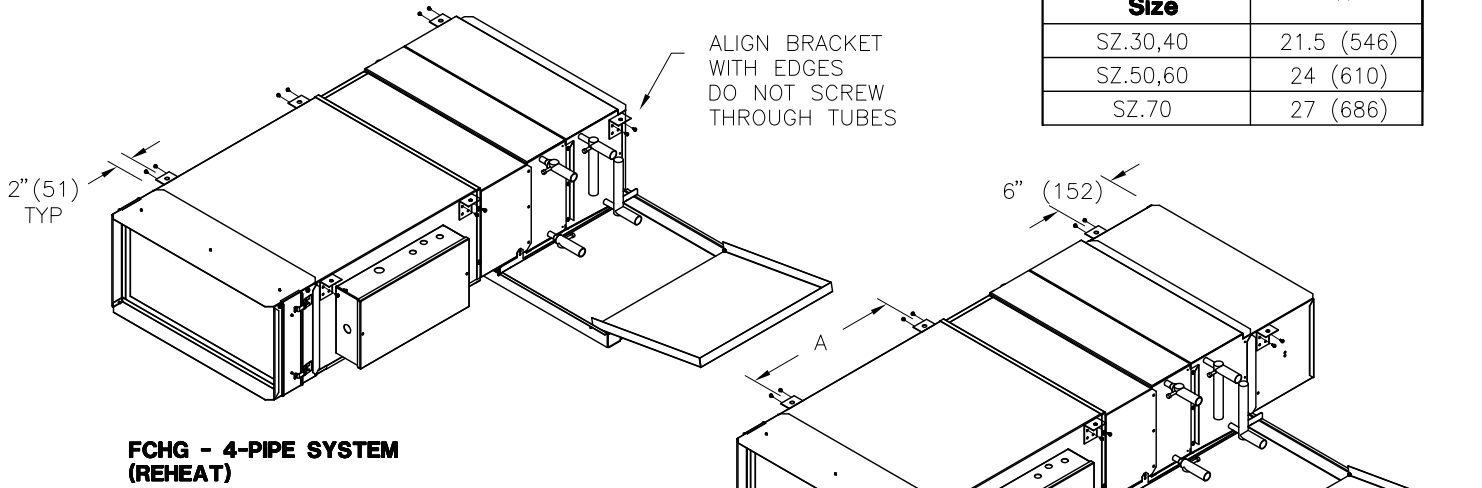
- HANGER BRACKETS ARE 12 GAUGE ZINC COATED STEEL.
- 4 BRACKETS PER FAN UNIT
- BRACKETS ARE SHIPPED LOOSE FOR FIELD INSTALLATION FOR USE WITH THREADED HANGER RODS. (BY OTHERS)
- LAYOUT INDICATES SUGGESTED HANGER BRACKET LOCATIONS.

ALL METRIC DIMENSIONS ( ) ARE SOFT CONVERTED. IMPERIAL DIMENSIONS ARE CONVERTED TO METRIC AND ROUNDED TO THE NEAREST MILLIMETER.

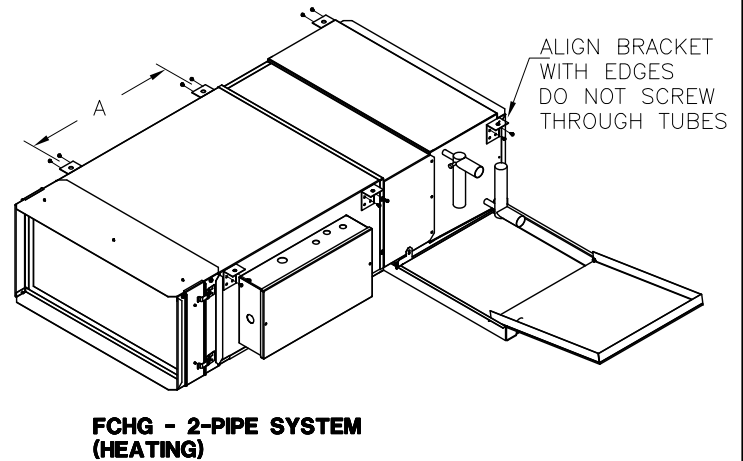
<b>PROJECT:</b>		<b>PRICE</b> <sup>®</sup>	
<b>ENGINEER:</b>		<b>BG</b>	<b>ACCESSORIES</b> HANGER BRACKETS (HB) LOCATIONS FOR FCHC
<b>CUSTOMER:</b>		255511	
<b>SUBMITTAL DATE:</b>	<b>SPEC. SYMBOL:</b>	2010/09/02	

**HANGER BRACKETS (HB) LOCATION**

Unit Size	A
SZ.30,40	21.5 (546)
SZ.50,60	24 (610)
SZ.70	27 (686)

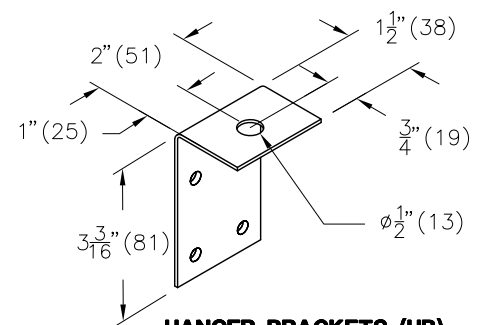


**FCHG - 4-PIPE SYSTEM (PREHEAT)**



**NOTES:**

- HANGER BRACKETS ARE 12 GAUGE ZINC COATED STEEL.
- 4 BRACKETS PER FAN UNIT
- BRACKETS ARE SHIPPED LOOSE FOR FIELD INSTALLATION FOR USE WITH THREADED HANGER RODS. (BY OTHERS)
- LAYOUT INDICATES SUGGESTED HANGER BRACKET LOCATIONS.



ALL METRIC DIMENSIONS ( ) ARE SOFT CONVERTED. IMPERIAL DIMENSIONS ARE CONVERTED TO METRIC AND ROUNDED TO THE NEAREST MILLIMETER.

<b>PROJECT:</b>		<b>PRICE®</b>	
<b>ENGINEER:</b>		<b>BG</b>	<b>ACCESSORIES</b> HANGER BRACKETS (HB) LOCATIONS FOR FCHG
<b>CUSTOMER:</b>		255512	
<b>SUBMITTAL DATE:</b>	<b>SPEC. SYMBOL:</b>	2011/08/08	