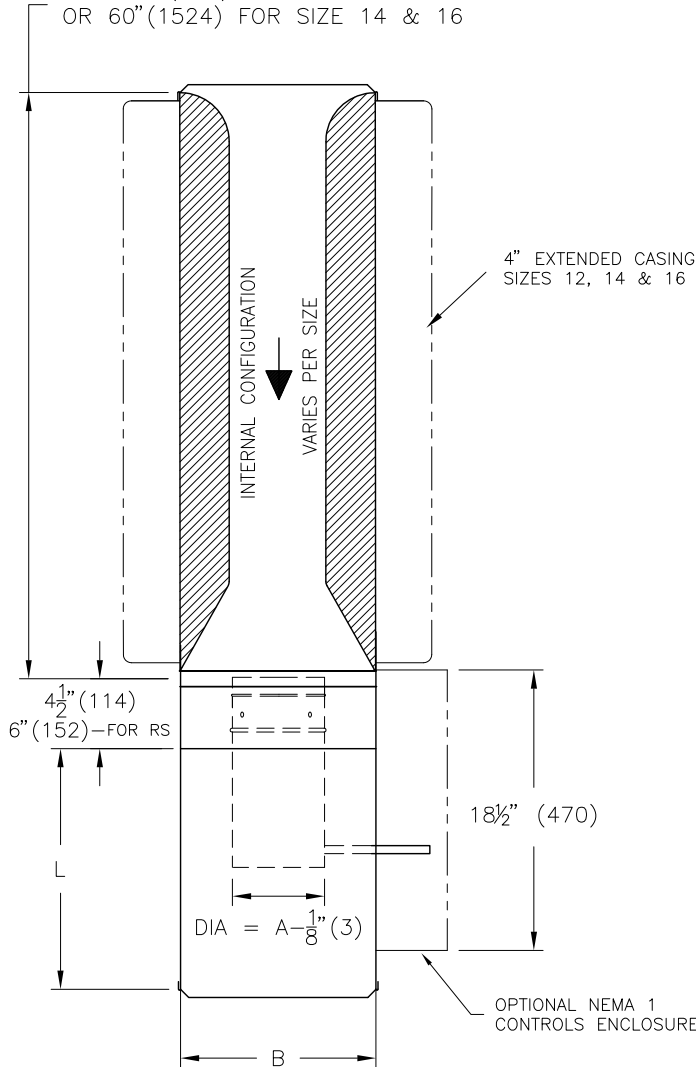


UNIT SIZE	CFM RANGE	IMPERIAL UNITS inches			
		OUTLET		INLET	LENGTH
		B	C	A	L
4	0-225	12	8	6	15 1/2
5	0-350				
6	0-450				
7	0-650	12	10	7	
8	0-800			8	
9	0-1050	14	12 1/2	9	
10	0-1350			10	
12	0-2100			12	
14	0-3200	20	17 1/2	14	19
16	0-4000	24	18	16	

36" (915) FOR SIZE 4-12  
OR 60" (1524) FOR SIZE 14 & 16



UNIT SIZE	L/S RANGE	S.I. UNITS mm			
		OUTLET		INLET	LENGTH
		B	C	A	L
4	0-106	305	203	152	394
5	0-165				
6	0-212				
7	0-307	305	254	178	
8	0-378			203	
9	0-496	356	318	229	
10	0-637			254	
12	0-991			406	381
14	0-1510	508	445	356	483
16	0-1888	610	457	406	

**NOTES:**

- INTERNAL INSULATION - RIGID FIBERGLASS 5/8" (16mm) THICK, MIN. 4# DENSITY WITH FOIL FACE WHICH MEETS REQUIREMENTS OF NFPA 90A, UL181, AND ASTM C-665. INSULATION EDGES COVERED WITH METAL ANGLES.
- 22GA ZINC COATED STEEL HOUSING. MECHANICALLY SEALED AND GASKETED, LEAK RESISTANT CONSTRUCTION.
- RECTANGULAR DISCHARGE/INLET WITH SLIP AND DRIVE CLEAT DUCT CONNECTION.
- DIGITAL CONTROLS BY CONTROL CONTRACTOR.
- 1/2" (13) DIA. PLATED SOLID STEEL SHAFT WITH END INDICATOR MARK SHOWING DAMPER POSITION.
- GASKETED BUTTERFLY DAMPER. LEAKAGE RATED BELOW 2% OF NOMINAL FLOW AT 3" W.G. DAMPER CCW TO CLOSE.
- SILENCER MEDIUM PRESSURE STYLE, 22GA GALVANIZED CASING WITH 22GA PERFORATED LINER OVER FIBERGLASS ACOUSTIC MEDIA w/POLYMER FILM FACING & 1/2" ACOUSTIC STANDOFF.

**OPTIONS:**

- CONTROLS ENCLOSURE
- HANGER BRACKETS (SHIPPED LOOSE)
- 24VAC TRANSFORMER
- TOGGLE DISCONNECT SWITCH
- RS-BOTTOM REMOVABLE SENSOR

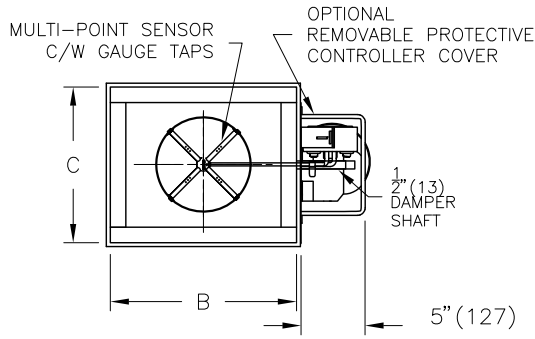
**LINERS**

- FB
- SM
- PM
- FF
- CRAF
- WFPM
- FB1
- SM1
- PM1
- FF1
- CRAF1
- CRWF

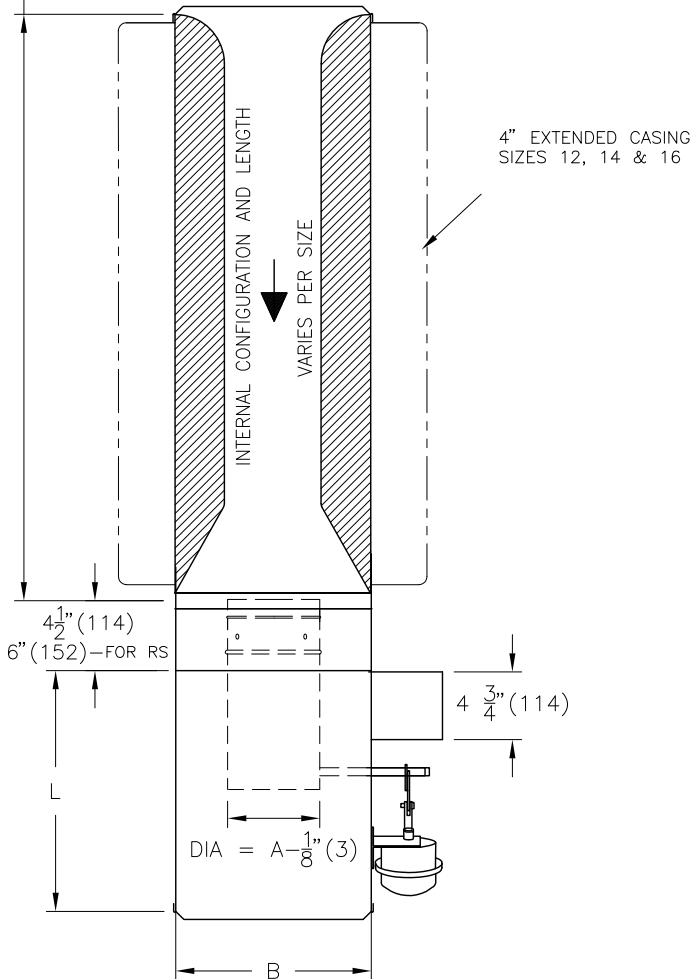
- SILENCER:  FC - FIBERGLASS CLOTH

ALL METRIC DIMENSIONS ( ) ARE SOFT CONVERTED. IMPERIAL DIMENSIONS ARE CONVERTED TO METRIC AND ROUNDED TO THE NEAREST MILLIMETER.

<b>PROJECT:</b>		<b>PRICE®</b>	
<b>ENGINEER:</b>			
<b>CUSTOMER:</b>		SINGLE DUCT DIGITAL CONTROL ULTRA QUIET EXHAUST w/SILENCER	
<b>SUBMITTAL DATE:</b>	<b>SPEC. SYMBOL:</b>	251088	
		2011/04/19	



36" (915) FOR SIZE 4-12  
OR 60" (1524) FOR SIZE 14 & 16



UNIT SIZE	CFM RANGE	IMPERIAL UNITS inches			
		OUTLET		INLET	LENGTH
		B	C	A	L
4	0-225				15 1/2
5	0-350	12	8	6	
6	0-450				
7	0-650	12	10	7	
8	0-800			8	
9	0-1050	14	12 1/2	9	
10	0-1350			10	19
12	0-2100	16	15	12	
14	0-3200	20	17 1/2	14	
16	0-4000	24	18	16	

UNIT SIZE	L/S RANGE	S.I. UNITS mm			
		OUTLET		INLET	LENGTH
		B	C	A	L
4	0-106				394
5	0-165	305	203	152	
6	0-212				
7	0-307	305	254	178	
8	0-378			203	
9	0-496	356	318	229	
10	0-637			254	483
12	0-991	406	381	305	
14	0-1510	508	445	356	
16	0-1888	610	457	406	

**NOTES:**

- INTERNAL INSULATION - RIGID FIBERGLASS 5/8" (16mm) THICK, MIN. 4# DENSITY WITH FOIL FACE WHICH MEETS REQUIREMENTS OF NFPA 90A, UL181, AND ASTM C-665. INSULATION EDGES COVERED WITH METAL ANGLES.
- 22GA ZINC COATED STEEL HOUSING. MECHANICALLY SEALED AND GASKETED, LEAK RESISTANT CONSTRUCTION.
- RECTANGULAR DISCHARGE/INLET WITH SLIP AND DRIVE CLEAT DUCT CONNECTION.
- PNEUMATIC ACTUATOR SUPPLIED & MOUNTED BY PRICE.
- 1/2" (13) DIA. PLATED SOLID STEEL SHAFT WITH END INDICATOR MARK SHOWING DAMPER POSITION.
- PRESSURE INDEPENDENT
- LINE VOLTAGE MUST NOT EXCEED 227V AC.
- GASKETED BUTTERFLY DAMPER. LEAKAGE RATED BELOW 2% OF NOMINAL FLOW AT 3" W.G. DAMPER CCW TO CLOSE.
- SILENCER MEDIUM PRESSURE STYLE, 22GA GALVANIZED CASING WITH 22GA PERFORATED LINER OVER FIBERGLASS ACOUSTIC MEDIA w/POLYMER FILM FACING & 1/2" ACOUSTIC STANDOFF.

**OPTIONS:**

- OTHER PNEUMATIC ACTUATORS SUPPLIED & MOUNTED BY PRICE
- PNEUMATIC ACTUATOR SUPPLIED BY CONTROL CONTRACTOR & MOUNTED BY PRICE
- PROTECTIVE CONTROLLER COVER
- HANGER BRACKETS (SHIPPED LOOSE)
- 24VAC TRANSFORMER
- TOGGLE DISCONNECT SWITCH
- RS-BOTTOM REMOVABLE SENSOR

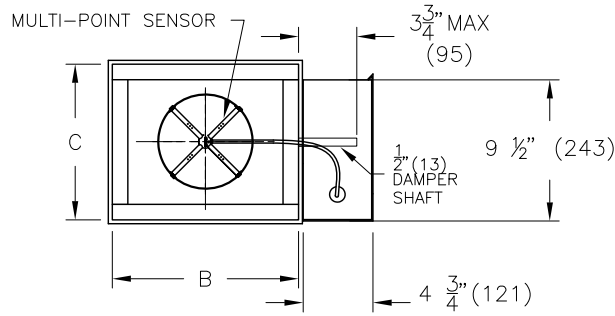
**LINERS**

- TERMINAL:  FB  SM  PM  FF  CRAF  WFPM
- FB1  SM1  PM1  FF1  CRAF1  CRWF

SILENCER:  FC - FIBERGLASS CLOTH

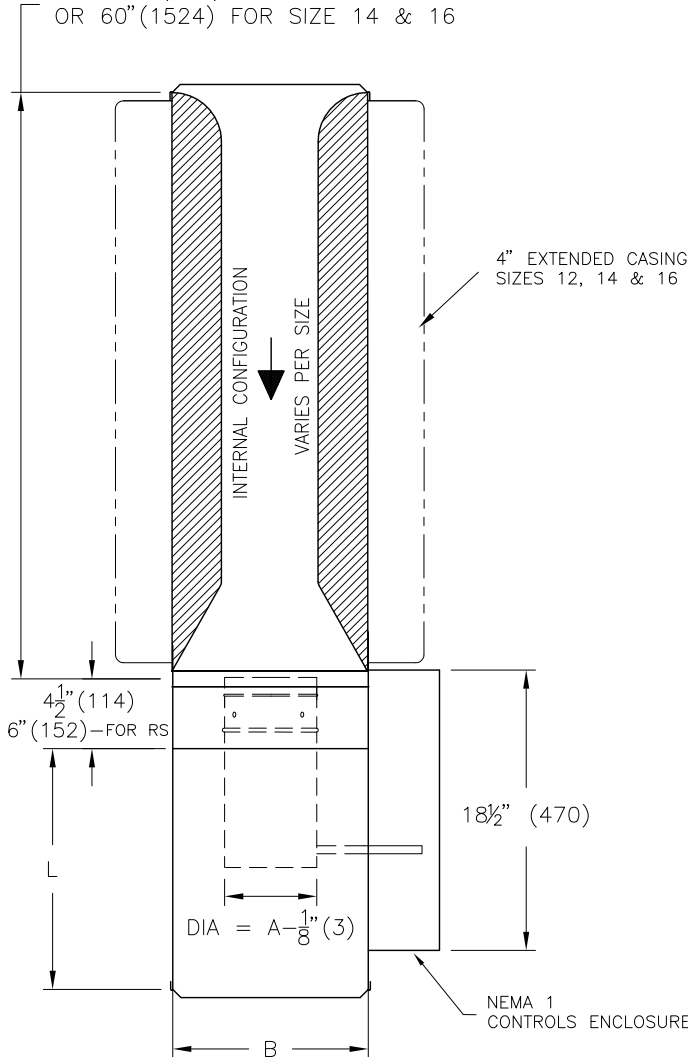
ALL METRIC DIMENSIONS ( ) ARE SOFT CONVERTED. IMPERIAL DIMENSIONS ARE CONVERTED TO METRIC AND ROUNDED TO THE NEAREST MILLIMETER.

<b>PROJECT:</b>		<b>PRICE</b> <sup>®</sup>
<b>ENGINEER:</b>		
<b>CUSTOMER:</b>		<b>BG</b>
<b>SUBMITTAL DATE:</b>		<b>251089</b>
<b>SPEC. SYMBOL:</b>		<b>2010/11/24</b>
		<b>SPEQ8000</b> SINGLE DUCT PNEUMATIC CONTROL ULTRA QUIET EXHAUST w/SILENCER



UNIT SIZE	CFM RANGE	IMPERIAL UNITS inches			
		OUTLET		INLET	LENGTH
		B	C	A	L
4	0-225				15½
5	0-350	12	8	6	
6	0-450				
7	0-650	12	10	7	
8	0-800			8	
9	0-1050			9	
10	0-1350	14	12½	10	
12	0-2100	16	15	12	
14	0-3200	20	17½	14	
16	0-4000	24	18	16	

36" (915) FOR SIZE 4-12  
OR 60" (1524) FOR SIZE 14 & 16



UNIT SIZE	L/S RANGE	S.I. UNITS mm			
		OUTLET		INLET	LENGTH
		B	C	A	L
4	0-106				394
5	0-165	305	203	152	
6	0-212				
7	0-307	305	254	178	
8	0-378			203	
9	0-496			229	
10	0-637	356	318	254	
12	0-991	406	381	305	
14	0-1510	508	445	356	
16	0-1888	610	457	406	

**NOTES:**

- INTERNAL INSULATION – RIGID FIBERGLASS 5/8" (16mm) THICK, MIN. 4# DENSITY WITH FOIL FACE WHICH MEETS REQUIREMENTS OF NFPA 90A, UL181, AND ASTM C-665. INSULATION EDGES COVERED WITH METAL ANGLES.
- 22GA ZINC COATED STEEL HOUSING. MECHANICALLY SEALED AND GASKETED, LEAK RESISTANT CONSTRUCTION.
- RECTANGULAR DISCHARGE/INLET WITH SLIP AND DRIVE CLEAT DUCT CONNECTION.
- PRICE CONTROLS FACTORY MOUNTED.
- 1/2" (13) DIA. PLATED SOLID STEEL SHAFT WITH END INDICATOR MARK SHOWING DAMPER POSITION.
- GASKETED BUTTERFLY DAMPER. LEAKAGE RATED BELOW 2% OF NOMINAL FLOW AT 3" W.G. DAMPER CCW TO CLOSE.
- SILENCER MEDIUM PRESSURE STYLE, 22GA GALVANIZED CASING WITH 22GA PERFORATED LINER OVER FIBERGLASS ACOUSTIC MEDIA w/POLYMER FILM FACING & 1/2" ACOUSTIC STANDOFF.

**OPTIONS:**

- HANGER BRACKETS (SHIPPED LOOSE)
- 24VAC TRANSFORMER
- TOGGLE DISCONNECT SWITCH
- RS-BOTTOM REMOVABLE SENSOR

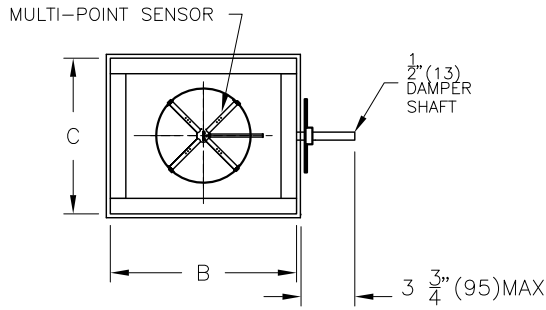
**LINERS**

- FB
- SM
- PM
- FF
- CRAF
- WFPM
- FB1
- SM1
- PM1
- FF1
- CRAF1
- CRWF

- SILENCER:  FC – FIBERGLASS CLOTH

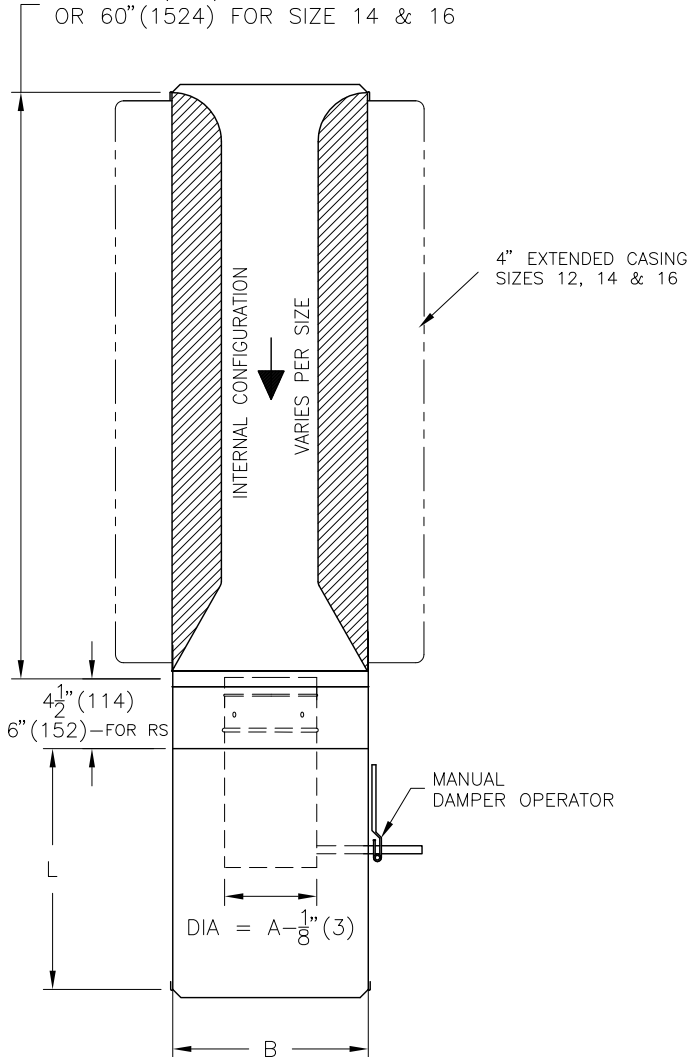
ALL METRIC DIMENSIONS ( ) ARE SOFT CONVERTED. IMPERIAL DIMENSIONS ARE CONVERTED TO METRIC AND ROUNDED TO THE NEAREST MILLIMETER.

<b>PROJECT:</b>		<b>PRICE®</b>	
<b>ENGINEER:</b>		<b>86</b>	<b>SDEQ8000</b> SINGLE DUCT PRICE CONTROLS ULTRA QUIET EXHAUST w/SILENCER
<b>CUSTOMER:</b>		251091	
<b>SUBMITTAL DATE:</b>	<b>SPEC. SYMBOL:</b>	2011/04/19	



UNIT SIZE	CFM RANGE	IMPERIAL UNITS inches			
		OUTLET		INLET	LENGTH
		B	C	A	L
4	0-225				15 1/2
5	0-350	12	8	6	
6	0-450				
7	0-650	12	10	7	
8	0-800			8	
9	0-1050			9	
10	0-1350	14	12 1/2	10	
12	0-2100	16	15	12	
14	0-3200	20	17 1/2	14	19
16	0-4000	24	18	16	

36" (915) FOR SIZE 4-12  
OR 60" (1524) FOR SIZE 14 & 16



UNIT SIZE	L/S RANGE	S.I. UNITS mm			
		OUTLET		INLET	LENGTH
		B	C	A	L
4	0-106				394
5	0-165	305	203	152	
6	0-212				
7	0-307	305	254	178	
8	0-378			203	
9	0-496			229	
10	0-637	356	318	254	
12	0-991	406	381	305	
14	0-1510	508	445	356	483
16	0-1888	610	457	406	

**NOTES:**

- INTERNAL INSULATION - RIGID FIBERGLASS 5/8" (16mm) THICK, MIN. 4# DENSITY WITH FOIL FACE WHICH MEETS REQUIREMENTS OF NFPA 90A, UL181, AND ASTM C-665. INSULATION EDGES COVERED WITH METAL ANGLES.
- 22GA ZINC COATED STEEL HOUSING. MECHANICALLY SEALED AND GASKETED, LEAK RESISTANT CONSTRUCTION.
- RECTANGULAR DISCHARGE/INLET WITH SLIP AND DRIVE CLEAT DUCT CONNECTION.
- 1/2" (13) DIA. PLATED SOLID STEEL SHAFT WITH END INDICATOR MARK SHOWING DAMPER POSITION.
- GASKETED BUTTERFLY DAMPER. LEAKAGE RATED BELOW 2% OF NOMINAL FLOW AT 3" W.G. DAMPER CCW TO CLOSE.
- SILENCER MEDIUM PRESSURE STYLE, 22GA GALVANIZED CASING WITH 22GA PERFORATED LINER OVER FIBERGLASS ACOUSTIC MEDIA w/POLYMER FILM FACING & 1/2" ACOUSTIC STANDOFF.

**OPTIONS:**

- CONTROLS ENCLOSURE
- HANGER BRACKETS (SHIPPED LOOSE)
- 24VAC TRANSFORMER
- TOGGLE DISCONNECT SWITCH
- RS-BOTTOM REMOVABLE SENSOR

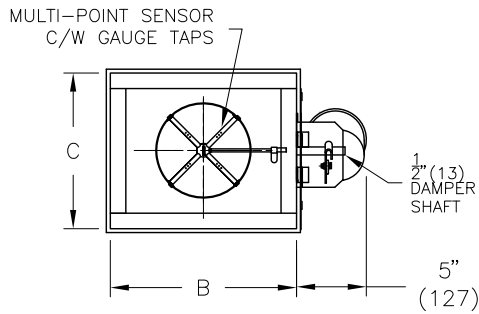
**LINERS**

- TERMINAL:  FB  SM  PM  FF  CRAF  WFPM
- FB1  SM1  PM1  FF1  CRAF1  CRWF

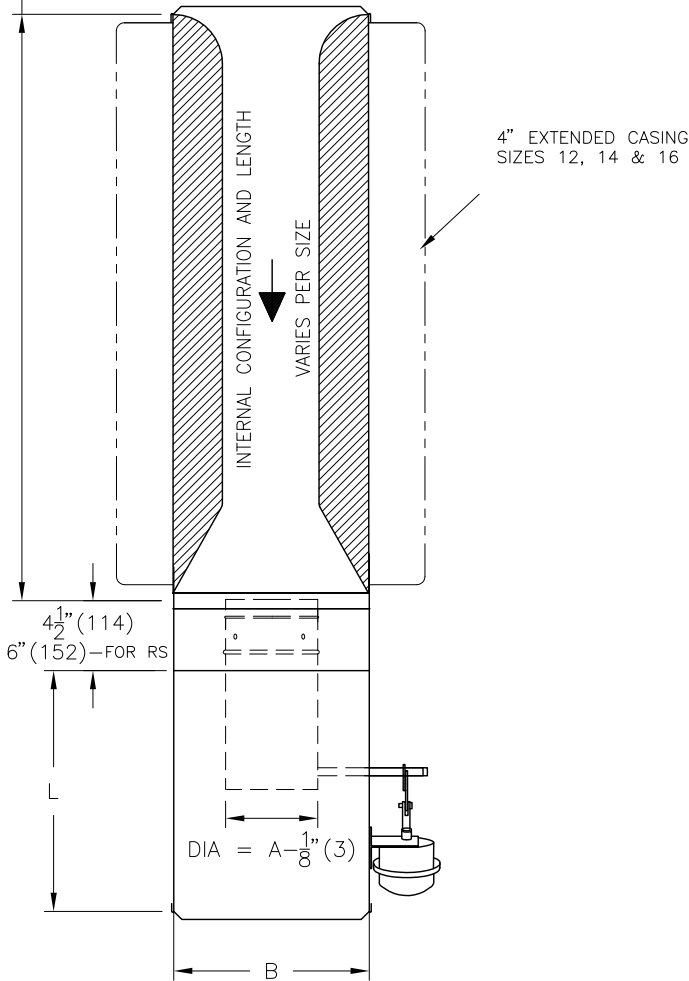
- SILENCER:  FC - FIBERGLASS CLOTH

ALL METRIC DIMENSIONS ( ) ARE SOFT CONVERTED. IMPERIAL DIMENSIONS ARE CONVERTED TO METRIC AND ROUNDED TO THE NEAREST MILLIMETER.

<b>PROJECT:</b>		<b>PRICE</b> <sup>®</sup>	
<b>ENGINEER:</b>		<b>BG</b>	<b>SMEQ6000</b> SINGLE DUCT DIGITAL CONTROL ULTRA QUIET EXHAUST w/SILENCER
<b>CUSTOMER:</b>		251092	
<b>SUBMITTAL DATE:</b>	<b>SPEC. SYMBOL:</b>	2011/04/19	



36" (915) FOR SIZE 4-12  
OR 60" (1524) FOR SIZE 14 & 16



UNIT SIZE	CFM RANGE	IMPERIAL UNITS inches			
		OUTLET		INLET	LENGTH
		B	C	A	L
4	0-225				15½
5	0-350	12	8	6	
6	0-450				
7	0-650	12	10	7	
8	0-800			8	
9	0-1050	14	12½	9	
10	0-1350			10	19
12	0-2100	16	15	12	
14	0-3200	20	17½	14	
16	0-4000	24	18	16	

UNIT SIZE	L/S RANGE	S.I. UNITS mm			
		OUTLET		INLET	LENGTH
		B	C	A	L
4	0-106				394
5	0-165	305	203	152	
6	0-212				
7	0-307	305	254	178	
8	0-378			203	
9	0-496	356	318	229	
10	0-637			254	483
12	0-991	406	381	305	
14	0-1510	508	445	356	
16	0-1888	610	457	406	

**NOTES:**

- INTERNAL INSULATION - RIGID FIBERGLASS 5/8" (16mm) THICK, MIN. 4# DENSITY WITH FOIL FACE WHICH MEETS REQUIREMENTS OF NFPA 90A, UL181, AND ASTM C-665. INSULATION EDGES COVERED WITH METAL ANGLES.
- 22GA ZINC COATED STEEL HOUSING. MECHANICALLY SEALED AND GASKETED, LEAK RESISTANT CONSTRUCTION.
- RECTANGULAR DISCHARGE/INLET WITH SLIP AND DRIVE CLEAT DUCT CONNECTION.
- PNEUMATIC ACTUATOR SUPPLIED & MOUNTED BY PRICE.
- 1/2" (13) DIA. PLATED SOLID STEEL SHAFT WITH END INDICATOR MARK SHOWING DAMPER POSITION.
- PRESSURE DEPENDENT
- GASKETED BUTTERFLY DAMPER. LEAKAGE RATED BELOW 2% OF NOMINAL FLOW AT 3" W.G. DAMPER CCW TO CLOSE.
- MINIMUM AIR VOLUM IS ZERO (SHUT-OFF)
- SILENCER MEDIUM PRESSURE STYLE, 22GA GALVANIZED CASING WITH 22GA PERFORATED LINER OVER FIBERGLASS ACOUSTIC MEDIA w/POLYMER FILM FACING & 1/2" ACOUSTIC STANDOFF.
- SPECIFY THE ACTUATOR SPRING RANGE TO ACCOMODATE THE THRMOSTAT CONTROL RANGE AND TO SEQUENCE WITH ANY CONTROL COMPONENTS AS SUPPLIED BY OTHERS.

**OPTIONS:**

- OTHER PNEUMATIC ACTUATORS SUPPLIED & MOUNTED BY PRICE
- PNEUMATIC ACTUATOR SUPPLIED BY CONTROL CONTRACTOR & MOUNTED BY PRICE
- HANGER BRACKETS (SHIPPED LOOSE)
- 24VAC TRANSFORMER
- TOGGLE DISCONNECT SWITCH
- RS-BOTTOM REMOVABLE SENSOR

**LINERS**

- TERMINAL:  FB  SM  PM  FF50  AFPM  AFPM1  
 FB1  SM1  PM1  FF  CRAF  WFPM  
 FF1  CRAF1  CRWF
- SILENCER:  FC - FIBERGLASS CLOTH

ALL METRIC DIMENSIONS ( ) ARE SOFT CONVERTED. IMPERIAL DIMENSIONS ARE CONVERTED TO METRIC AND ROUNDED TO THE NEAREST MILLIMETER.

**PROJECT:**

**ENGINEER:**

**CUSTOMER:**

**SUBMITTAL DATE:**

**SPEC. SYMBOL:**



**BG**

251093

2010/11/24

**SPEQ6000**

SINGLE DUCT  
PNEUMATIC CONTROL  
ULTRA QUIET EXHAUST  
w/SILENCER