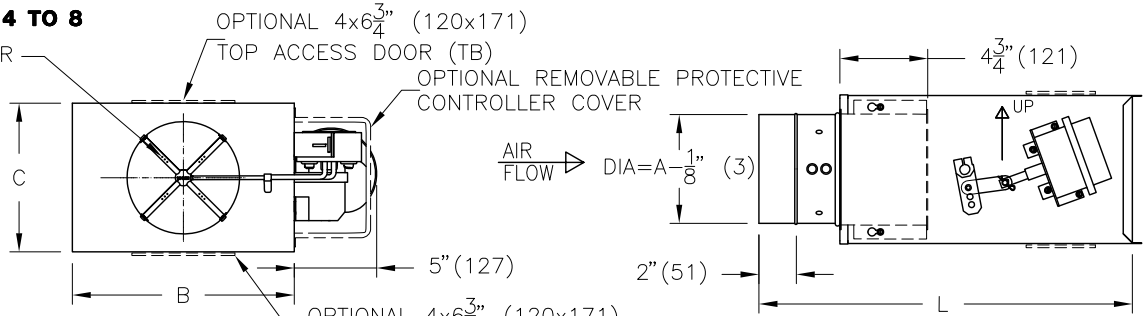


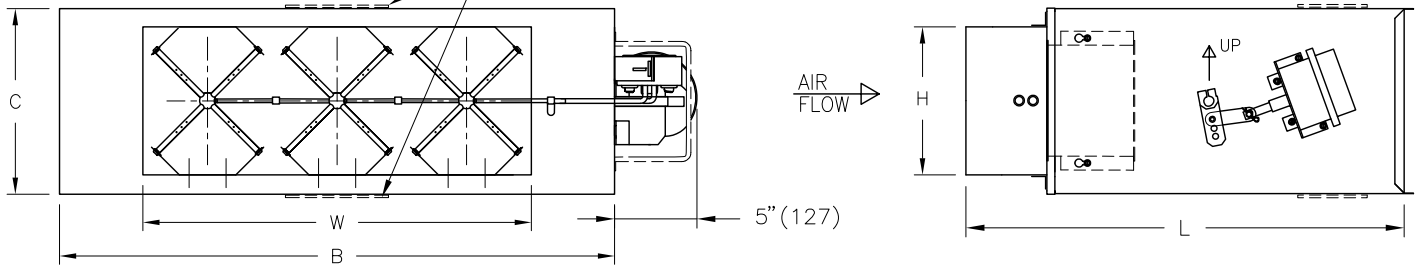
**ROUND INLET - SIZE 4 TO 8**

MULTI-POINT SENSOR  
C/W GAUGE TAPS



**RECTANGULAR INLET - SIZE 9 TO 16**

OPTIONAL TOP ACCESS DOOR (TB)



AD - INSULATED ACCESS DOOR W/SCREWS

ADL - INSULATED ACCESS DOOR W/SNAP LATCHES

ADQ - INSULATED ACCESS DOOR W/QUARTER TURN SASH LATCHES

SEE SUBMITTAL #256538 FOR MORE DETAILS

UNIT SIZE	MAX L/S	MAX CFM	S.I. UNITS mm				IMPERIAL UNITS inches				
			OUTLET		INLET	LENGTH	OUTLET		INLET	LENGTH	
			B	C	A OR WxH	L	B	C	A OR WxH	L	
4	106	225			102	562			4**	22 1/8	
5	165	350	305	203	127	511	12	8	5**	20 1/8	
6	212	450			152				6		
7	307	650	305	254	178		12	10	7		
8	378	800			203	600			8	23 5/8	
9	496	1050	445	254	254 x 203		17 1/2	10	10 x 8		
10	637	1350			305 x 203				12 x 8		
12	991	2100	610	254	406 x 203		24	10	16 x 8		
14	1416	3000	762	254	533 x 203		30	10	21 x 8		
16	1888	4000	965	254	737 x 203		38	10	29 x 8		

\*\* 6" DIAMETER DUCT WITH 4" OR 5" REDUCER.

**NOTES:**

- INTERNAL INSULATION - FIBERGLASS 1/2" (13mm) THICK, MIN. 1.5# DENSITY WHICH MEETS REQUIREMENTS OF NFPA 90A AND UL181.
- 22 GA. ZINC COATED STEEL HOUSING. MECHANICALLY SEALED AND GASKETED, LEAK RESISTANT CONSTRUCTION.
- RECTANGULAR DISCHARGE OPENING WITH SLIP AND DRIVE CLEAT DUCT CONNECTION.
- CONTROL ASSEMBLY WILL BE SUPPLIED AS ILLUSTRATED ON RIGHT HAND SIDE UNLESS SPECIFIED OTHERWISE.
- GAUGE TAPS ARE STANDARD.
- PNEUMATIC ACTUATOR SUPPLIED & MOUNTED BY PRICE.
- CLEAN, DRY, 20 PSI (138 KPa) CONTROL AIR REQUIRED.
- PRESSURE INDEPENDENT

**OPTIONS:**

- OTHER PNEUMATIC ACTUATORS SUPPLIED & MOUNTED BY PRICE.
- PNEUMATIC ACTUATOR SUPPLIED BY CONTROL CONTRACTOR & MOUNTED BY PRICE.
- PROTECTIVE CONTROLLER COVER.
- TB - TOP & BOTTOM ACCESS DOORS

**LINERS AND CONSTRUCTION OPTIONS:**

- FF50     FF     FG 75
- PM     SM     WFPM     AFPM
- FB     CRAF     CRWF     LL



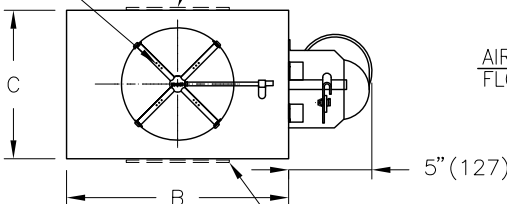
ALL METRIC DIMENSIONS ( ) ARE SOFT CONVERTED. IMPERIAL DIMENSIONS ARE CONVERTED TO METRIC AND ROUNDED TO THE NEAREST MILLIMETER.

<b>PROJECT:</b>		<b>PRICE®</b>	
<b>ENGINEER:</b>			
<b>CUSTOMER:</b>		<b>239536</b>	<b>SPVLP8000</b> SINGLE DUCT TERMINAL VARIABLE VOLUME PNEUMATIC CONTROL LOW PROFILE
<b>SUBMITTAL DATE:</b>	<b>SPEC. SYMBOL:</b>	<b>2011/04/15</b>	

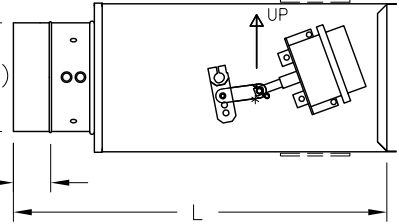
**ROUND INLET - SIZE 4 TO 8**

MULTI-POINT SENSOR  
C/W GAUGE TAPS

OPTIONAL 4x6<sup>3</sup>/<sub>4</sub>" (120x171)  
TOP ACCESS DOOR (TB)



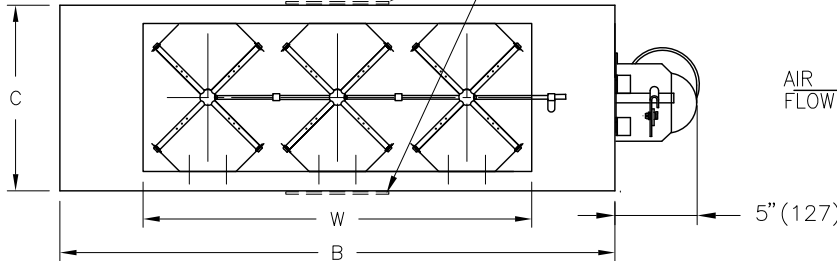
AIR FLOW → DIA=A-1<sup>1</sup>/<sub>8</sub>" (3)



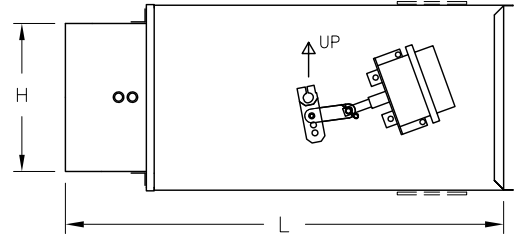
**RECTANGULAR INLET - SIZE 9 TO 16**

OPTIONAL TOP ACCESS DOOR (TB)

OPTIONAL 4x6<sup>3</sup>/<sub>4</sub>" (120x171)  
BOTTOM ACCESS DOOR (AD, ADL, ADQ)



AIR FLOW → H



- AD - INSULATED ACCESS DOOR W/SCREWS
- ADL - INSULATED ACCESS DOOR W/SNAP LATCHES

- ADQ - INSULATED ACCESS DOOR W/QUARTER TURN SASH LATCHES

SEE SUBMITTAL #256538 FOR MORE DETAILS

UNIT SIZE	MAX L/S	MAX CFM	S.I. UNITS mm				IMPERIAL UNITS inches			
			OUTLET		INLET	LENGTH	OUTLET		INLET	LENGTH
			B	C	A OR WxH	L	B	C	A OR WxH	L
4	106	225	305	203	102	562	12	8	4**	22 <sup>1</sup> / <sub>8</sub>
5	165	350			127				5**	
6	212	450			152				6	
7	307	650	305	254	178	511	12	10	7	20 <sup>1</sup> / <sub>8</sub>
8	378	800			203				8	
9	496	1050			254 x 203				10 x 8	
10	637	1350	445	254	305 x 203	600	17 <sup>1</sup> / <sub>2</sub>	10	12 x 8	23 <sup>5</sup> / <sub>8</sub>
12	991	2100	610	254	406 x 203				16 x 8	
14	1416	3000	762	254	533 x 203				21 x 8	
16	1888	4000	965	254	737 x 203	600	30	10	21 x 8	23 <sup>5</sup> / <sub>8</sub>
									38	

\*\* 6" DIAMETER DUCT WITH 4" OR 5" REDUCER.

**NOTES:**

- INTERNAL INSULATION - FIBERGLASS 1/2" (13mm) THICK, MIN. 1.5# DENSITY WHICH MEETS REQUIREMENTS OF NFPA 90A AND UL181.
- 22 GA. ZINC COATED STEEL HOUSING. MECHANICALLY SEALED AND GASKETED, LEAK RESISTANT CONSTRUCTION.
- RECTANGULAR DISCHARGE OPENING WITH SLIP AND DRIVE CLEAT DUCT CONNECTION.
- ACTUATOR WILL BE SUPPLIED AS ILLUSTRATED ON RIGHT HAND SIDE UNLESS SPECIFIED OTHERWISE.
- GAUGE TAPS ARE STANDARD.
- PNEUMATIC ACTUATOR SUPPLIED & MOUNTED BY PRICE.
- CLEAN, DRY, 20 PSI (138 kPa) CONTROL AIR REQUIRED.
- MINIMUM AIR VOLUME IS ZERO (SHUT-OFF).
- PRESSURE DEPENDENT

**OPTIONS:**

- OTHER PNEUMATIC ACTUATORS SUPPLIED & MOUNTED BY PRICE.
- PNEUMATIC ACTUATOR SUPPLIED BY CONTROL CONTRACTOR & MOUNTED BY PRICE.
- TB - TOP & BOTTOM ACCESS DOORS

**LINERS AND CONSTRUCTION OPTIONS:**

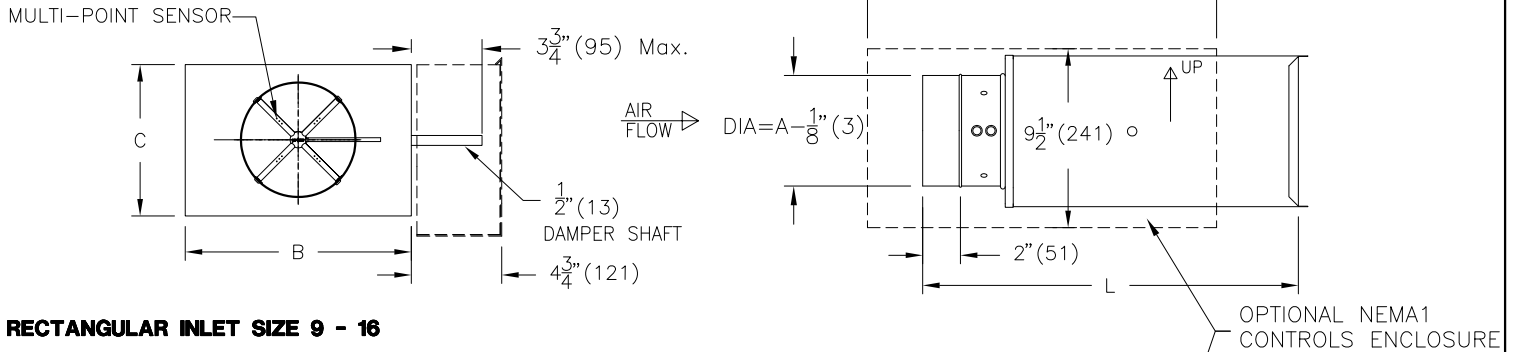
- FF50     FF     FG 75
- PM     SM     WFPM     AFPM
- FB     CRAF     CRWF     LL



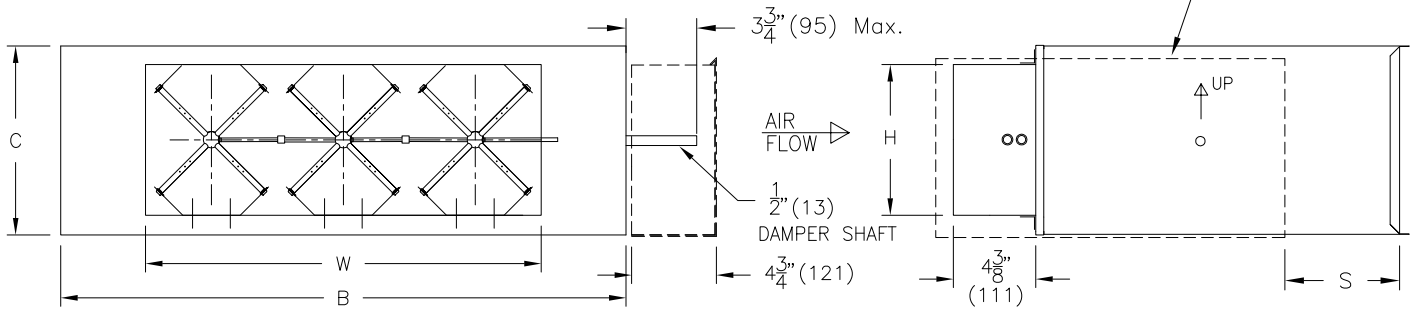
ALL METRIC DIMENSIONS ( ) ARE SOFT CONVERTED. IMPERIAL DIMENSIONS ARE CONVERTED TO METRIC AND ROUNDED TO THE NEAREST MILLIMETER.

<b>PROJECT:</b>		<b>PRICE®</b>	
<b>ENGINEER:</b>			
<b>CUSTOMER:</b>		239537	<b>SPVLP6000</b> SINGLE DUCT TERMINAL VARIABLE VOLUME PNEUMATIC CONTROL LOW PROFILE
<b>SUBMITTAL DATE:</b>		2011/04/15	
<b>SPEC. SYMBOL:</b>			

**ROUND INLET SIZE 4 - 8**



**RECTANGULAR INLET SIZE 9 - 16**



UNIT SIZE	MAX L/S	MAX CFM	S.I. UNITS mm					IMPERIAL UNITS inches				
			OUTLET		INLET	LENGTH		OUTLET		INLET	LENGTH	
			B	C		A OR WxH	L	S	B		C	A OR WxH
4	106	225	305	203	102	562	97	12	8	4**	22 1/8	3 13/16
5	165	350			127					5**		
6	212	450			152					6		
7	307	650	305	254	178	511	97	12	10	7	20 1/8	3 13/16
8	378	800			203					8		
9	496	1050			254 x 203					10 x 8		
10	637	1350	445	254	305 x 203	511	97	17 1/2	10	12 x 8	20 1/8	3 13/16
12	991	2100			406 x 203					16 x 8		
14	1416	3000			762					254		
16	1888	4000	965	254	737 x 203	38	10	29 x 8				

\*\* 6" DIAMETER DUCT WITH 4" OR 5" REDUCER.

**NOTES:**

- INTERNAL INSULATION - FIBERGLASS 1/2" (13mm) THICK, MIN. 1.5# DENSITY WHICH MEETS REQUIREMENTS OF NFPA 90A AND UL181.
- 22GA. ZINC COATED STEEL HOUSING. MECHANICALLY SEALED AND GASKETED, LEAK RESISTANT CONSTRUCTION.
- RECTANGULAR DISCHARGE OPENING WITH SLIP AND DRIVE CLEAT DUCT CONNECTION.
- DIGITAL CONTROLS BY CONTROL CONTRACTOR.

**SDV5000 INCLUDES:**

- MULTI-POINT SENSOR SUPPLIED BY PRICE

**OPTIONS:**

- CONTROLS ENCLOSURE
- DISCONNECT SWITCH



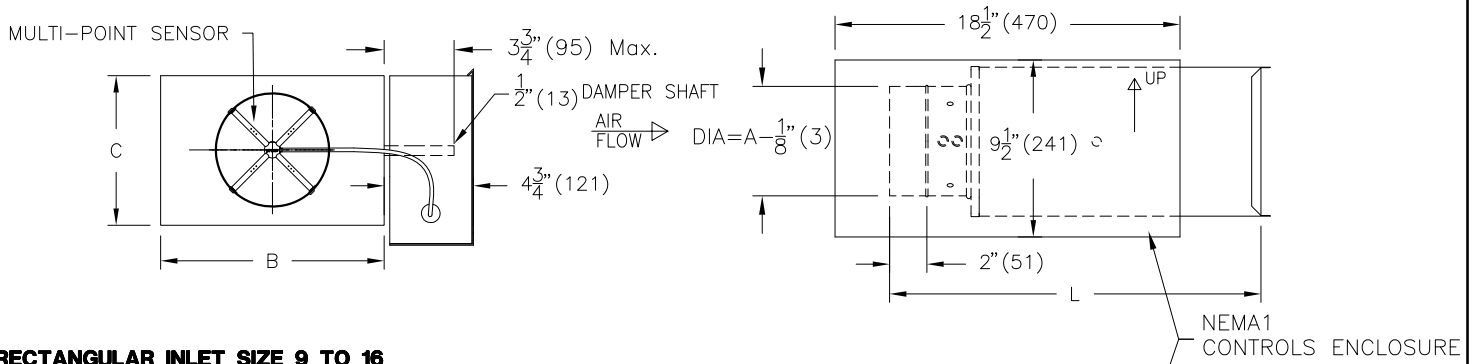
**LINERS AND CONSTRUCTION OPTIONS:**

- FF50     FF     FG 75
- PM     SM     WFPM     AFPM
- FB     CRAF     CRWF     LL

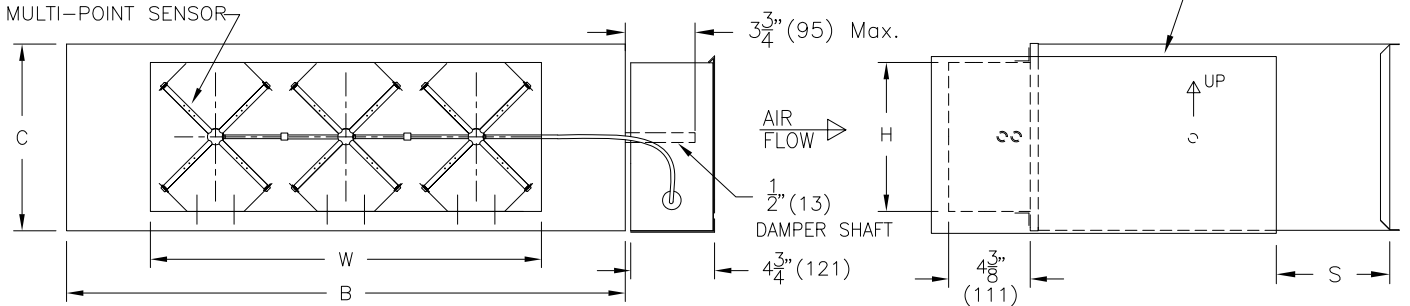
ALL METRIC DIMENSIONS ( ) ARE SOFT CONVERTED. IMPERIAL DIMENSIONS ARE CONVERTED TO METRIC AND ROUNDED TO THE NEAREST MILLIMETER.

<b>PROJECT:</b>		<b>PRICE®</b>	
<b>ENGINEER:</b>			
<b>CUSTOMER:</b>		239538	<b>SDVLP5000</b> SINGLE DUCT TERMINAL VARIABLE VOLUME DIGITAL CONTROL LOW PROFILE
<b>SUBMITTAL DATE:</b>	<b>SPEC. SYMBOL:</b>	2011/10/25	

**ROUND INLET SIZE 4 TO 8**



**RECTANGULAR INLET SIZE 9 TO 16**



UNIT SIZE	MAX L/S	MAX CFM	S.I. UNITS mm						IMPERIAL UNITS inches					
			OUTLET		INLET A OR WxH	LENGTH		OUTLET		INLET A OR WxH	LENGTH			
			B	C		L	S	B	C		L	S		
4	106	225	305	203	102	562	97	12	8	4**	22 1/8	3 13/16		
5	165	350			127					5**				
6	212	450			152					6				
7	307	650	305	254	178	511	97	12	10	7	20 1/8	3 13/16		
8	378	800			203					8				
9	496	1050			254 x 203					10 x 8				
10	637	1350	445	254	305 x 203	600	136	17 1/2	10	12 x 8	23 3/8	5 9/16		
12	991	2100			406 x 203					16 x 8				
14	1416	3000			533 x 203					21 x 8				
16	1888	4000	965	254	737 x 203	600	136	38	10	29 x 8	23 3/8	5 9/16		

\*\* 6" DIAMETER DUCT WITH 4" OR 5" REDUCER.

**NOTES:**

- INTERNAL INSULATION – FIBERGLASS 1/2" (13mm) THICK, MIN. 1.5# DENSITY WHICH MEETS REQUIREMENTS OF NFPA 90A AND UL181.
- 22GA. ZINC COATED STEEL HOUSING. MECHANICALLY SEALED AND GASKETED, LEAK RESISTANT CONSTRUCTION.
- RECTANGULAR DISCHARGE OPENING WITH SLIP AND DRIVE CLEAT DUCT CONNECTION.
- PRICE CONTROLS FACTORY MOUNTED.
- PRICE THERMOSTAT FIELD MOUNTED.

**SDV5000 INCLUDES:**

- MULTI-POINT SENSOR SUPPLIED BY PRICE.

**OPTIONS:**

- DISCONNECT SWITCH

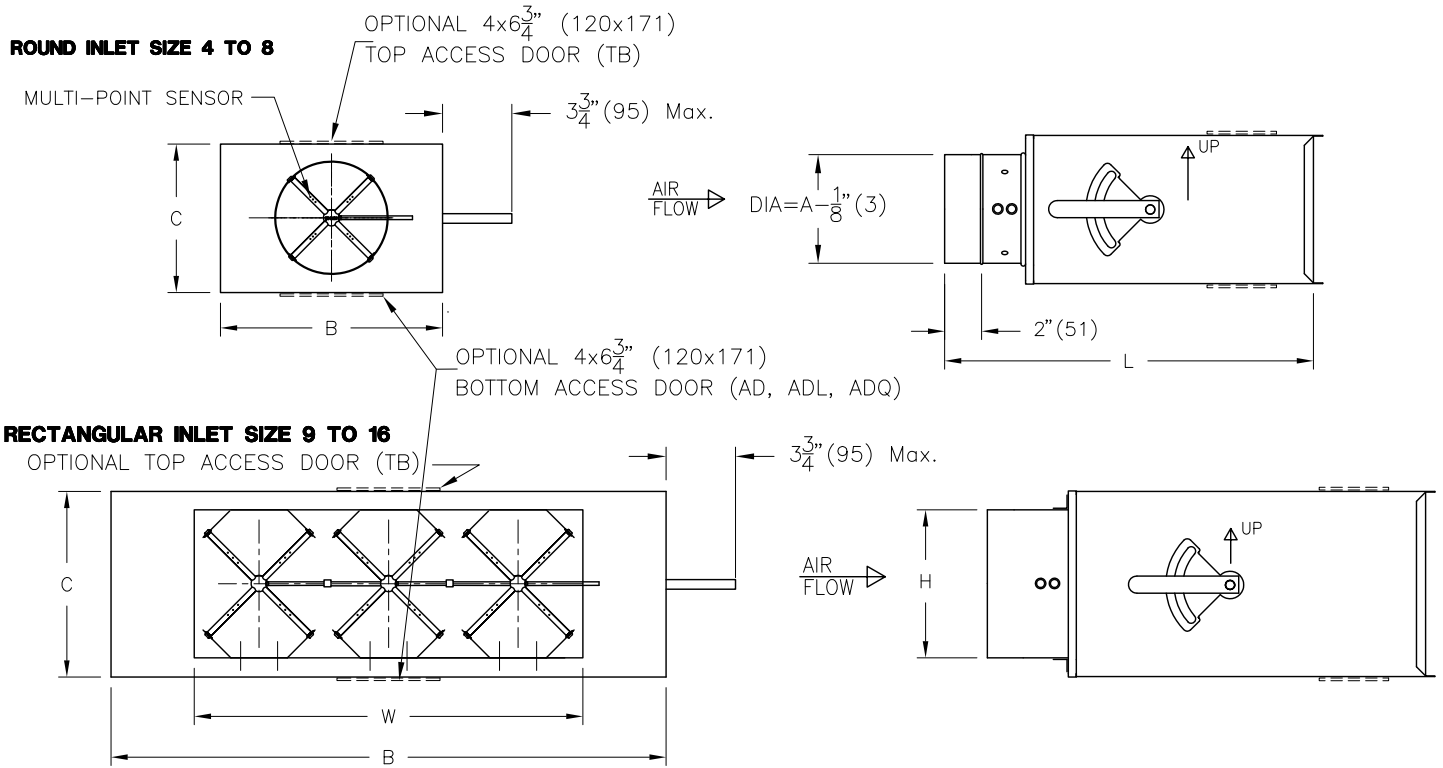
**LINERS AND CONSTRUCTION OPTIONS:**

- FF50     FF     FG 75
- PM     SM     WFPM     AFPM
- FB     CRAF     CRWF     LL



ALL METRIC DIMENSIONS ( ) ARE SOFT CONVERTED. IMPERIAL DIMENSIONS ARE CONVERTED TO METRIC AND ROUNDED TO THE NEAREST MILLIMETER.

<b>PROJECT:</b>		<b>PRICE</b> <sup>®</sup>	
<b>ENGINEER:</b>			
<b>CUSTOMER:</b>		SINGLE DUCT TERMINAL VARIABLE VOLUME PRICE CONTROLS LOW PROFILE	
<b>SUBMITTAL DATE:</b>	<b>SPEC. SYMBOL:</b>	240372	2011/10/25



- AD - INSULATED ACCESS DOOR W/SCREWS
- ADL - INSULATED ACCESS DOOR W/SNAP LATCHES

- ADQ - INSULATED ACCESS DOOR W/QUARTER TURN SASH LATCHES
- SEE SUBMITTAL #256538 FOR MORE DETAILS

UNIT SIZE	MAX L/S	MAX CFM	S.I. UNITS mm				IMPERIAL UNITS inches				
			OUTLET		INLET	LENGTH	OUTLET		INLET	LENGTH	
			B	C	A OR WxH	L	B	C	A OR WxH	L	
4	106	225			102	562			4	22 <sup>1</sup> / <sub>8</sub>	
5	165	350	305	203	127	511	12	8	5	20 <sup>1</sup> / <sub>8</sub>	
6	212	450			152				6		
7	307	650	305	254	178		12	10	7		
8	378	800			203				8		
9	496	1050			254 x 203	600	17 <sup>1</sup> / <sub>2</sub>	10	10 x 8	23 <sup>5</sup> / <sub>8</sub>	
10	637	1350	445	254	305 x 203				12 x 8		
12	991	2100	610	254	406 x 203		24	10	16 x 8		
14	1416	3000	762	254	533 x 203			21 x 8			
16	1888	4000	965	254	737 x 203			29 x 8			

**NOTES:**

- INTERNAL INSULATION - FIBERGLASS 1/2" (13mm) THICK, MIN. 1.5# DENSITY WHICH MEETS REQUIREMENTS OF NFPA 90A AND UL181.
- 22GA. ZINC COATED STEEL HOUSING. MECHANICALLY SEALED AND GASKETED, LEAK RESISTANT CONSTRUCTION.
- RECTANGULAR DISCHARGE OPENING WITH SLIP AND DRIVE CLEAT DUCT CONNECTION.

**OPTIONS:**

- TB - TOP & BOTTOM ACCESS DOORS

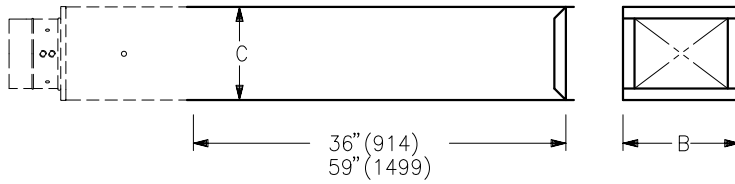
**LINERS AND CONSTRUCTION OPTIONS:**

- FF50     FF     FG 75
- PM     SM     WFPM     AFPM
- FB     CRAF     CRWF     LL

ALL METRIC DIMENSIONS ( ) ARE SOFT CONVERTED. IMPERIAL DIMENSIONS ARE CONVERTED TO METRIC AND ROUNDED TO THE NEAREST MILLIMETER.

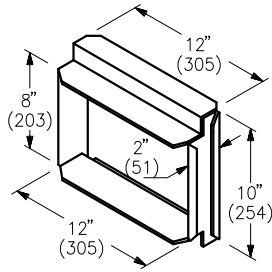
<b>PROJECT:</b>		<b>PRICE®</b>	
<b>ENGINEER:</b>		<b>BG</b>	<b>SMVLP6000</b> SINGLE DUCT TERMINAL MANUAL AIR CONTROL VALVE LOW PROFILE
<b>CUSTOMER:</b>		239540	
<b>SUBMITTAL DATE:</b>	<b>SPEC. SYMBOL:</b>	2011/04/15	

**DISCHARGE ATTENUATOR SECTION (ATT or ATT5)**  
**PROVIDED AS AN INTEGRAL EXTENSION TO SIZE 4-16 SINGLE DUCT TERMINALS**  
**(SEPARATE ATTENUATOR CONSTRUCTION IS AVAILABLE AND CODED ATTSP, ATT5SP)**  
 SEE PAGE 2 FOR VARIOUS ARRANGEMENTS.



UNIT SIZE	S.I. UNITS		IMPERIAL UNITS	
	B	C	B	C
4,5,6	305	203	12	8
7,8	305	254	12	10
9,10	445	254	17½	10
12	610	254	24	10
14	762	254	30	10
16	965	254	38	10

**ADAPTOR COUPLING SECTION (ACS)**

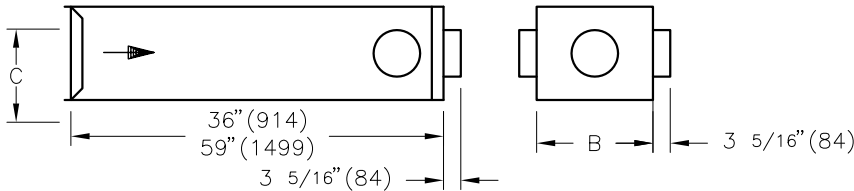


**NOTES:**

1. REQUIRED FOR SIZE 4, 5 & 6 TERMINAL TO ACCEPT A SIZE B MOA FOR DAS.
2. ALLOWS OUTLET SIZES UP TO THE DIMENSIONAL LIMIT OF A STANDARD SIZE 8 MOA.
3. INSTALLED HEIGHT WILL BE COVERED BY THE SIZE 8 MOA.
4. SEE DIMENSIONS TABLE FOR MAXIMUM OUTLET SIZE AVAILABLE FOR STANDARD SIZE MOA SECTIONS.

\* CONTACT PRICE SALES OFFICE FOR OTHER COMBINATIONS.

**MULTI-OUTLET ATTENUATOR SECTION (MOA, MOA5)**  
**3 FT. OR 5 FT.**



- NOTES: 1. ONLY ONE OUTLET SIZE TO BE SPECIFIED PER M.O.A. NO MIXING OF OUTLET SIZES ON THE SAME UNIT.  
 2. ALL ROUND OUTLETS C/W MANUAL DAMPERS.  
 3. DENOTES AIR FLOW DIRECTION.  
 4. FOR SPECIAL OUTLET SIZES & ARRANGEMENTS, CONSULT YOUR PRICE SALES REPRESENTATIVE.

**MOA OUTLETS**

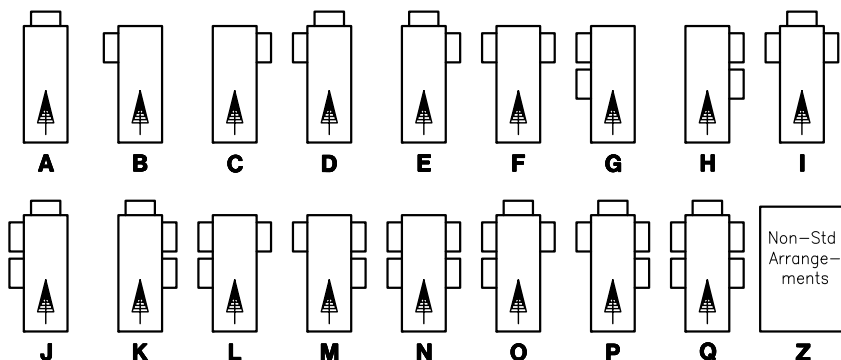
SIZE OF OUTLETS ON MOA NOT TO EXCEED THE LIMITS LISTED BELOW.

UNIT SIZE	MOA OUTLETS
4,5,6	6" (152)
7,8	8" (203) 6" (152)
9,10,12,14,16	8" (203)

**GENERAL NOTES:**

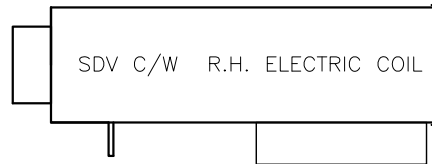
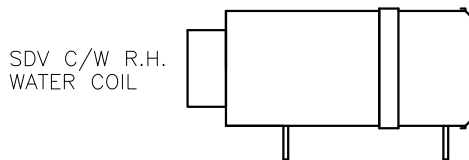
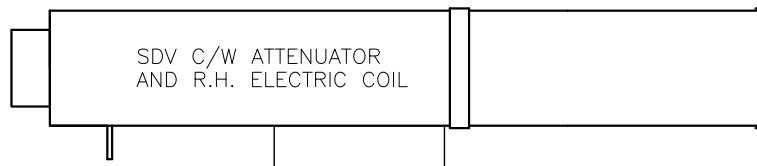
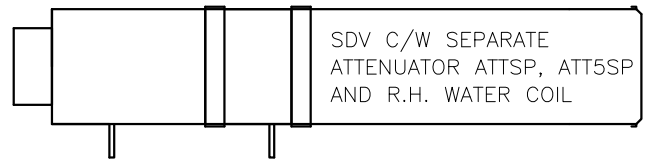
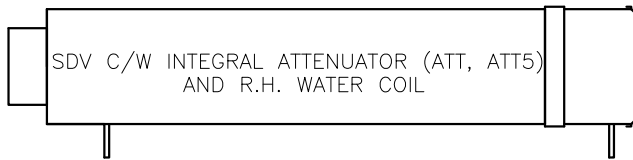
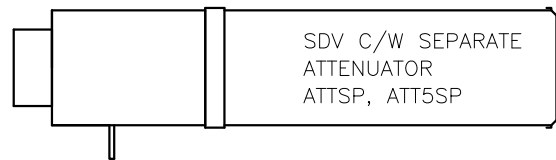
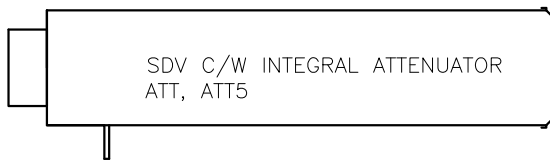
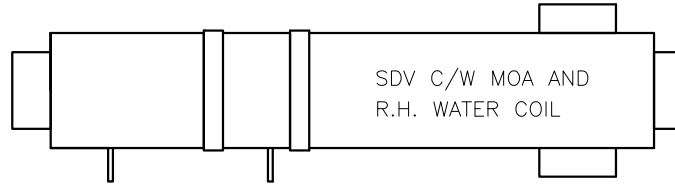
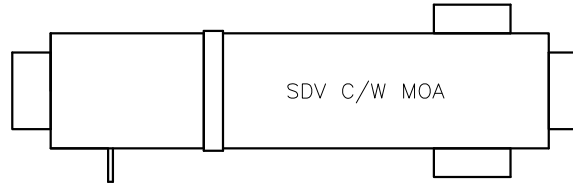
- FOR WATER REHEAT COIL ASSEMBLY SECTION DETAILS AND DIMENSIONS SEE SUBMITTALS 239542 AND 239543

**STANDARD OUTLET ARRANGEMENTS**



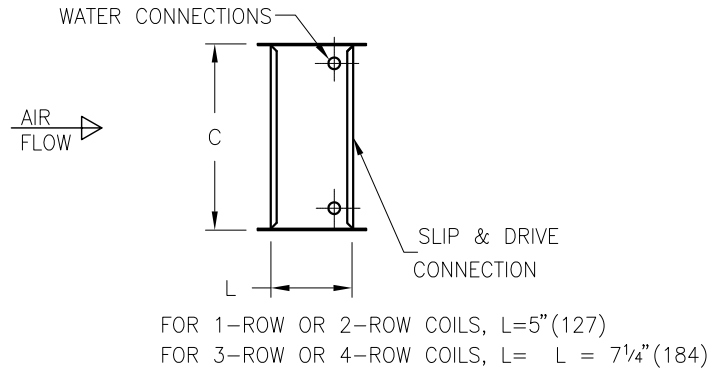
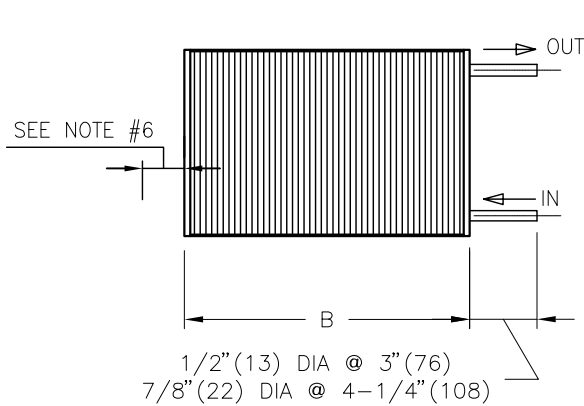
ALL METRIC DIMENSIONS ( ) ARE SOFT CONVERTED. IMPERIAL DIMENSIONS ARE CONVERTED TO METRIC AND ROUNDED TO THE NEAREST MILLIMETER.

<b>PROJECT:</b>		<b>PRICE®</b>
<b>ENGINEER:</b>		
<b>CUSTOMER:</b>		<b>86</b>
<b>SUBMITTAL DATE:</b>		<b>239541</b>
<b>SPEC. SYMBOL:</b>		<b>2010/02/17</b>
		<b>ACCESSORIES</b> FOR SINGLE DUCT LOW PROFILE TERMINAL UNITS



ALL METRIC DIMENSIONS ( ) ARE SOFT CONVERTED. IMPERIAL DIMENSIONS ARE CONVERTED TO METRIC AND ROUNDED TO THE NEAREST MILLIMETER.

<b>PROJECT:</b>		<b>PRICE</b> <sup>®</sup>	
<b>ENGINEER:</b>		<b>BG</b>	<b>ACCESSORIES</b> FOR SINGLE DUCT LOW PROFILE TERMINAL UNITS CONFIGURATIONS
<b>CUSTOMER:</b>		239541	
<b>SUBMITTAL DATE:</b>	<b>SPEC. SYMBOL:</b>	2010/02/17	



SI UNITS (mm)					IMPERIAL UNITS (inches)				
NOMINAL SIZE	B	C	COIL CONNECTIONS		NOMINAL SIZE	B	C	COIL CONNECTIONS	
			1&2 Row	3&4 Row				1&2 Row	3&4 Row
4,5,6	305	203	13	22	4,5,6	12	8	1/2	7/8
7,8	305	254	13	22	7,8	12	10	1/2	7/8
9,10	445	254	22	29	9,10	17 1/2	10	7/8	1 1/8
12	610	254	22	29	12	24	10	7/8	1 1/8
14	762	254	22	29	14	30	10	7/8	1 1/8
16	965	254	22	29	16	38	10	7/8	1 1/8

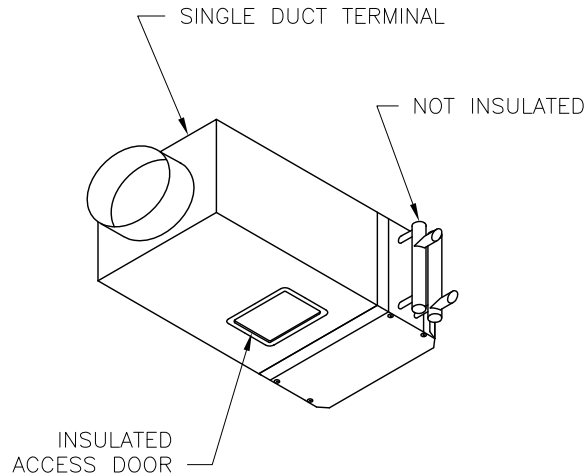
**NOTES:**

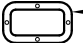

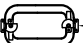
- FABRICATED FROM 22 GA. GALVANIZED STEEL MECHANICALLY SEALED, LEAK RESISTANT CONSTRUCTION.
- HOT WATER COILS HAVE COPPER TUBES AND ALUMINUM FINNS WITH O.D. SWEAT CONNECTIONS.
- REFER TO SUBMITTED TERMINAL UNIT SCHEDULE FOR AIR VOLUMES AND REHEAT COIL CAPACITIES.
- METHOD OF VENTING REHEAT COIL IS TO BE PROVIDED BY INSTALLING CONTRACTOR.
- HAND OF WATER COIL CONNECTIONS IS DETERMINED WHEN VIEWED FROM AIR INLET SIDE WITH ACCESS DOOR ON BOTTOM. RIGHT HAND COIL CONNECTION ILLUSTRATED ABOVE.
- ALLOW 1 1/2 " (38) MINIMUM CLEARANCE FOR INSTALLATION AT THIS END.
- CONFIGURATION OF COIL CONNECTION VARIES WITH SIZE & CIRCUITRY OF COIL.
- PERFORMANCE RATED AND CERTIFIED IN ACCORDANCE WITH THE CURRENT EDITION OF ARI STANDARD 410.
- STANDARD COILS SUPPLIED WITH 10 FINNS PER INCH.
- IT IS NOT RECOMENDED TO REVERSE 3 & 4 ROW COILS. INDICATE HANDING WHILE ORDERING.

ALL METRIC DIMENSIONS ( ) ARE SOFT CONVERTED. IMPERIAL DIMENSIONS ARE CONVERTED TO METRIC AND ROUNDED TO THE NEAREST MILLIMETER.

<b>PROJECT:</b>		<b>PRICE</b> <sup>®</sup>	
<b>ENGINEER:</b>			
<b>CUSTOMER:</b>		239543	
<b>SUBMITTAL DATE:</b>	<b>SPEC. SYMBOL:</b>	2011/06/21	

**SINGLE DUCT TERMINAL  
WITH WATER COIL AND  
COIL ACCESS DOOR**



-  AD - COIL ACCESS DOOR  
W/SCREWS  
4"(102) x 6 3/4"(171)
-  ADL - COIL ACCESS DOOR  
W/SNAP LATCHES  
4"(102) x 6 3/4"(171)
-  ADQ - COIL ACCESS DOOR  
W/QUARTER TURN SASH LATCHES  
4"(102) x 6 3/4"(171)

**NOTES:**

1. ACCESS DOOR FOR INSPECTION AND MAINTENANCE OF COIL IS FEATURED.  
(SEE OPTIONS FOR SPECIFIC LOCATION AND FASTENERS).
2. 3/4" (19) THICK, 22 GA GALVANIZED STEEL CONSTRUCTION, INTERNALLY INSULATED.
3. DUAL WALL CONSTRUCTION (NOT PROVIDED FOR FF LINERS).
4. GASKETED PERIMETER & 4 SCREWS PROVIDED AS STANDARD CONSTRUCTION.

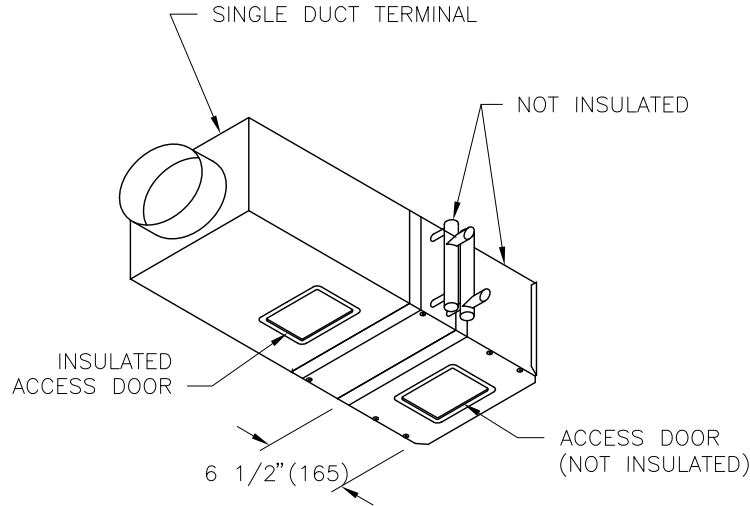
**OPTIONS:**

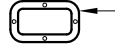
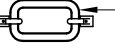

- TB - TOP & BOTTOM ACCESS DOORS

ALL METRIC DIMENSIONS ( ) ARE SOFT CONVERTED. IMPERIAL DIMENSIONS ARE CONVERTED TO METRIC AND ROUNDED TO THE NEAREST MILLIMETER.

<b>PROJECT:</b>		<b>PRICE</b> <sup>®</sup>	
<b>ENGINEER:</b>		<i>BG</i>	<b>HOT WATER COILS</b> SINGLE DUCT LOW PROFILE TERMINAL UNITS WITH COIL ACCESS DOORS
<b>CUSTOMER:</b>		239543	
<b>SUBMITTAL DATE:</b>	<b>SPEC. SYMBOL:</b>	2011/06/27	

**SINGLE DUCT TERMINAL  
WITH WATER COIL AND  
DUAL COIL ACCESS DOORS**



-  ADD - COIL ACCESS DOOR  
W/SCREWS  
4" (102) x 6 3/4" (171)
-  ADDL - COIL ACCESS DOOR  
W/SNAP LATCHES  
4" (102) x 6 3/4" (171)
-  ADDQ - COIL ACCESS DOOR  
W/QUARTER TURN SASH LATCHES  
4" (102) x 6 3/4" (171)

**NOTES:**

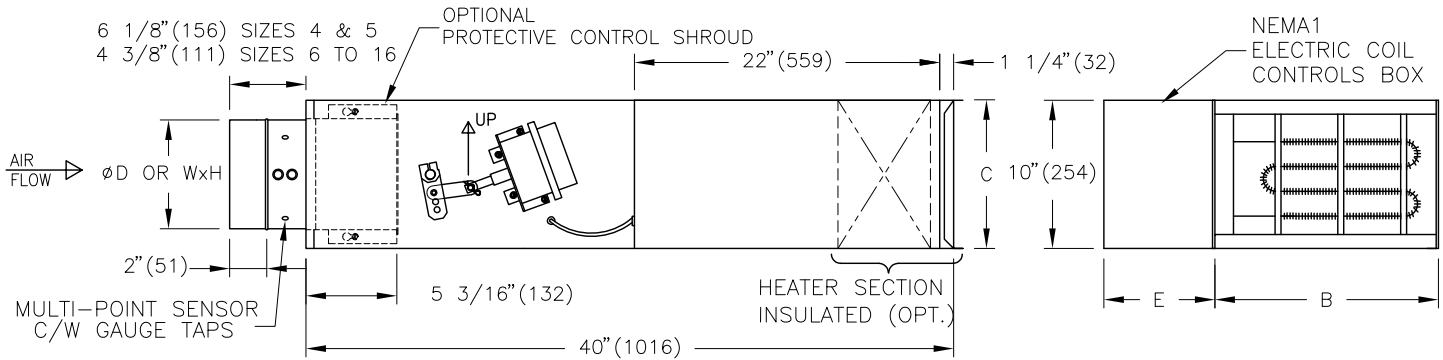
1. ACCESS DOOR FOR INSPECTION AND MAINTENANCE OF COIL IS FEATURED.  
(SEE OPTIONS FOR SPECIFIC LOCATION AND FASTENERS).
2. 3/4" (19) THICK, 22 GA GALVANIZED STEEL CONSTRUCTION, INTERNALLY INSULATED.
3. DUAL WALL CONSTRUCTION (NOT PROVIDED FOR FF LINERS).
4. GASKETED PERIMETER & 4 SCREWS PROVIDED AS STANDARD CONSTRUCTION.
5. DOWNSTREAM COIL ACCESS DOOR NOT INSULATED.

**OPTIONS:**

- TB - TOP & BOTTOM ACCESS DOORS

ALL METRIC DIMENSIONS ( ) ARE SOFT CONVERTED. IMPERIAL DIMENSIONS ARE CONVERTED TO METRIC AND ROUNDED TO THE NEAREST MILLIMETER.

<b>PROJECT:</b>		<b>PRICE</b> <sup>®</sup>	
<b>ENGINEER:</b>		<i>BG</i>	<b>HOT WATER COILS</b> SINGLE DUCT LOW PROFILE TERMINAL UNITS DUAL COIL ACCESS DOORS
<b>CUSTOMER:</b>		239543	
<b>SUBMITTAL DATE:</b>	<b>SPEC. SYMBOL:</b>	2011/06/27	



UNIT SIZE	OUTLET		INLET	CONTROL BOX
	B	C	D OR WxH	E
4	12 (305)	8 (203)	3 7/8(98)φ **	6 (152)
5			4 7/8(124)φ **	
6			5 7/8(149)φ	
7			6 7/8(175)φ	
8			7 7/8(200)φ	
9	17 1/2(445)	10 (254)	8x10(203x254)	8 1/2 (216)
10			8x12(203x305)	
12	24 (610)	10 (254)	8x16(203x406)	
14	30 (762)	10 (254)	8x21(203x533)	
16	38 (965)	10 (254)	8x29(203x737)	

**NOTES:**

- INTERNAL INSULATION – FIBERGLASS 1/2" (13)THICK, MIN. 1.5# DENSITY WHICH MEETS REQUIREMENTS OF NFPA 90A AND UL181.
- ZINC COATED STEEL 22 GA. TERMINAL & 20 GA. HEATER, MECHANICALLY SEALED AND GASKETED, LEAK RESISTANT CONSTRUCTION.
- RECTANGULAR DISCHARGE OPENINGS HAVE SLIP & DRIVE CLEAT DUCT CONNECTIONS.
- CONTROL ASSEMBLY WILL BE SUPPLIED AS ILLUSTRATED ON RIGHT HAND SIDE UNLESS SPECIFIED OTHERWISE.
- PRESSURE INDEPENDENT.
- CLEAN, DRY, 20 PSI (138KPa) CONTROL AIR REQUIRED.
- CONTROLS SUPPLIED AND MOUNTED BY PRICE.
- FOR ACCESSORIES SEE SUBMITTAL DRAWINGS.
- ASSEMBLY ETL CERTIFIED TO UL1995 & CSA236.

**OPTIONS:**

- PROTECTIVE CONTROL SHROUD.

**SUPPLY VOLTAGE:**

- 120/1φ
- 208/1φ (3 WIRE)
- 208/3φ (4 WIRE)
- 240/1φ
- 277/1φ
- 347/1φ
- 480/3φ (3 WIRE)
- 600/3φ (3 OR 4 WIRE)

**STANDARD COIL FEATURES:**

- AUTOMATIC RESET THERMAL CUTOUT
- MANUAL RESET THERMAL CUTOUT
- LOW WATT DENSITY ELEMENTS, HIGH GRADE NICKEL-CHROME ALLOY
- PNEUMATIC ELECTRIC SWITCH
- AIR FLOW SWITCH
- HINGED ACCESS DOOR
- SINGLE POINT ELECTRICAL CONNECTION
- REFER TO SUBMITTED CONTROL DIAGRAMS FOR STANDARD CONTROL COMPONENTS TO BE SUPPLIED.

**OPTIONAL COIL FEATURES:**

- CONTROL CIRCUIT FUSES
- DOOR INTERLOCK DISCONNECT SWITCH
- ELECTRONIC MODULATING CONTROLS(EMC)
- MERCURY CONTACTORS
- MAIN SUPPLY FUSES
- PSG – Price Silent Guard™ CONTROLLER
- HEATER SECTION INSULATED (FF NOT AVAILABLE)
- SCR CONTROLS
- SCR-DAT CONTROLS

NOTE: FOR SCR OPTION WITH PNEUMATIC CONTROL SIGNAL CONTACT PRICE

- 0 to 10 Vdc CONTROL SIGNAL
- 4 to 20 mA CONTROL SIGNAL

**OPTIONAL DUCT LINERS AND CONSTRUCTION:**

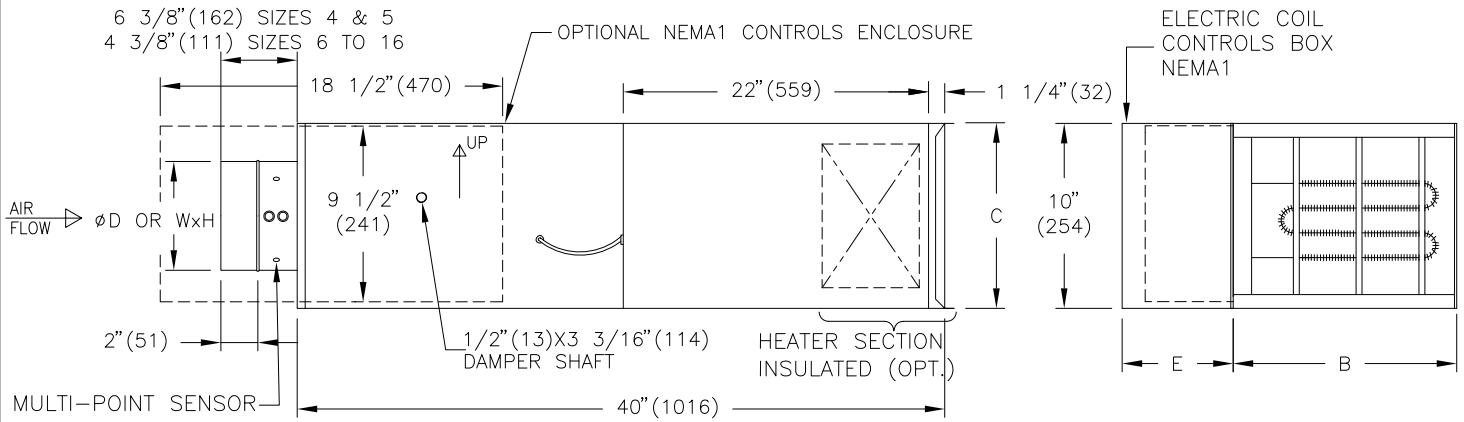
- FF50
- PM
- FB
- FF
- SM
- CRAF
- FG 75
- WFPM
- CRWF
- AFPM
- LL



SEE CATALOGUE FOR DETAILED AIR FLOW RANGE AND HEATING CAPACITY.  
 \*\* 6" DIAMETER DUCT WITH 4" OR 5" REDUCER.

ALL METRIC DIMENSIONS ( ) ARE SOFT CONVERTED. IMPERIAL DIMENSIONS ARE CONVERTED TO METRIC AND ROUNDED TO THE NEAREST MILLIMETER.

<b>PROJECT:</b>		<b>PRICE®</b>	
<b>ENGINEER:</b>		<b>BG</b>	<b>SPVLP8000</b>
<b>CUSTOMER:</b>		239544	LOW PROFILE INTEGRAL ELECTRIC REHEAT SIZE 4 TO 16 ASSEMBLY PNEUMATIC CONTROLS
<b>SUBMITTAL DATE:</b>	<b>SPEC. SYMBOL:</b>	2010/09/17	



UNIT SIZE	OUTLET		INLET	CONTROL BOX
	B	C	D OR WxH	E
4	12 (305)	8 (203)	3 7/8(98)φ **	6 (152)
5			4 7/8(124)φ **	
6			5 7/8(149)φ	
7			6 7/8(175)φ	
8			7 7/8(200)φ	
9	17 1/2(445)	10 (254)	8x10(203x254)	8 1/2 (216)
10			8x12(203x305)	
12	24 (610)	10 (254)	8x16(203x406)	
14	30 (762)	10 (254)	8x21(203x533)	
16	38 (965)	10 (254)	8x29(203x737)	

SEE CATALOGUE FOR DETAILED AIR FLOW RANGE AND HEATING CAPACITY.

\*\* 6" DIAMETER DUCT WITH 4" OR 5" REDUCER.

**STANDARD COIL FEATURES:**

- AUTOMATIC RESET THERMAL CUTOUT
- MANUAL RESET THERMAL CUTOUT
- LOW WATT DENSITY ELEMENTS, HIGH GRADE NICKEL-CHROME ALLOY
- MAGNETIC CONTACTORS
- AIR FLOW SWITCH
- 24VAC/50VAC CLASS 2 TRANSFORMER
- HINGED ACCESS DOOR
- SINGLE POINT ELECTRICAL CONNECTION
- REFER TO SUBMITTED CONTROL DIAGRAMS FOR STANDARD CONTROL COMPONENTS TO BE SUPPLIED.

**OPTIONAL COIL FEATURES:**

- CONTROL CIRCUIT FUSES
- DOOR INTERLOCK DISCONNECT SWITCH
- ELECTRONIC MODULATING CONTROLS(EMC)
- MERCURY CONTACTORS
- MAIN SUPPLY FUSES
- PSG – Price Silent Guard™ CONTROLLER
- SCR CONTROLS     SCR –DAT CONTROLS
- 0 to 10 Vdc CONTROL SIGNAL
- 4 to 20 mA CONTROL SIGNAL
- HEATER SECTION INSULATED (FF NOT AVAILABLE)

**OPTIONAL DUCT LINERS AND CONSTRUCTION:**

- FF50     PM     SM
- AFPM     CRAF     FB

**NOTES:**

- INTERNAL INSULATION – FIBERGLASS 1/2" (13)THICK, MIN. 1.5# DENSITY WHICH MEETS REQUIREMENTS OF NFPA 90A AND UL181.
- ZINC COATED STEEL 22 GA. TERMINAL & 20 GA. HEATER, MECHANICALLY SEALED AND GASKETED, LEAK RESISTANT CONSTRUCTION.
- RECTANGULAR DISCHARGE OPENINGS HAVE SLIP & DRIVE CLEAT DUCT CONNECTIONS.
- CONTROL ASSEMBLY WILL BE SUPPLIED AS ILLUSTRATED ON RIGHT HAND SIDE UNLESS SPECIFIED OTHERWISE.
- PRESSURE INDEPENDENT.
- DIGITAL CONTROLS SUPPLIED BY CONTROLS CONTRACTOR.
- FOR ACCESSORIES SEE SUBMITTAL DRAWINGS.
- ASSEMBLY ETL CERTIFIED TO UL1995 & CSA236.

**OPTIONS:**

- PROTECTIVE CONTROL SHROUD.

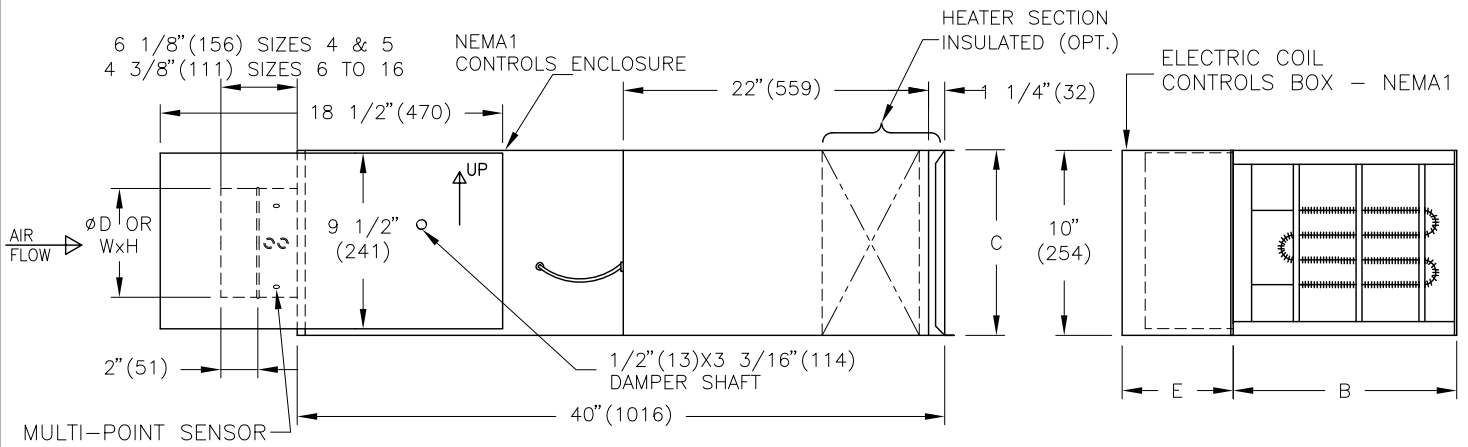
**SUPPLY VOLTAGE:**

- 120/1φ
- 208/1φ (3 WIRE)
- 208/3φ (3 WIRE)
- 240/1φ
- 277/1φ
- 347/1φ
- 480/3φ (3 WIRE)
- 600/3φ (3 OR 4 WIRE)



ALL METRIC DIMENSIONS ( ) ARE SOFT CONVERTED. IMPERIAL DIMENSIONS ARE CONVERTED TO METRIC AND ROUNDED TO THE NEAREST MILLIMETER.

<b>PROJECT:</b>		<b>PRICE®</b>	
<b>ENGINEER:</b>		<b>BG</b>	<b>SDVLP5000</b> LOW PROFILE INTEGRAL ELECTRIC REHEAT SIZE 4 TO 16 ASSEMBLY DIGITAL CONTROLS
<b>CUSTOMER:</b>		239546	
<b>SUBMITTAL DATE:</b>	<b>SPEC. SYMBOL:</b>	2012/02/08	



UNIT SIZE	OUTLET		INLET	CONTROL BOX
	B	C	D OR WxH	E
4	12 (305)	8 (203)	3 7/8(98)φ **	6 (152)
5			4 7/8(124)φ **	
6			5 7/8(149)φ	
7			6 7/8(175)φ	
8			7 7/8(200)φ	
9	17 1/2(445)	10 (254)	8x10(203x254)	8 1/2 (216)
10			8x12(203x305)	
12	24 (610)	10 (254)	8x16(203x406)	
14	30 (762)	10 (254)	8x21(203x533)	
16	38 (965)	10 (254)	8x29(203x737)	

SEE CATALOGUE FOR DETAILED AIR FLOW RANGE AND HEATING CAPACITY.

\*\* 6" DIAMETER DUCT WITH 4" OR 5" REDUCER.

**STANDARD COIL FEATURES:**

- AUTOMATIC RESET THERMAL CUTOUT
- MANUAL RESET THERMAL CUTOUT
- LOW WATT DENSITY ELEMENTS, HIGH GRADE NICKEL-CHROME ALLOY
- MAGNETIC CONTACTORS
- AIR FLOW SWITCH
- 24VAC/50VAC CLASS 2 TRANSFORMER
- HINGED ACCESS DOOR
- SINGLE POINT ELECTRICAL CONNECTION
- REFER TO SUBMITTED CONTROL DIAGRAMS FOR STANDARD CONTROL COMPONENTS TO BE SUPPLIED.

**OPTIONAL COIL FEATURES:**

- CONTROL CIRCUIT FUSES
- DOOR INTERLOCK DISCONNECT SWITCH
- ELECTRONIC MODULATING CONTROLS(EMC)
- MERCURY CONTACTORS
- MAIN SUPPLY FUSES
- PSG – Price Silent Guard™ CONTROLLER
- SCR CONTROLS     SCR-DAT CONTROLS
- 0 to 10 Vdc CONTROL SIGNAL
- 4 to 20 mA CONTROL SIGNAL
- HEATER SECTION INSULATED (FF NOT AVAILABLE)

**OPTIONAL DUCT LINERS AND CONSTRUCTION:**

- SM    AFPM    CRAF
- FF50    PM    FB

**NOTES:**

- INTERNAL INSULATION – FIBERGLASS 1/2" (13)THICK, MIN. 1.5# DENSITY WHICH MEETS REQUIREMENTS OF NFPA 90A AND UL181.
- ZINC COATED STEEL 22 GA. TERMINAL & 20 GA. HEATER, MECHANICALLY SEALED AND GASKETED, LEAK RESISTANT CONSTRUCTION.
- RECTANGULAR DISCHARGE OPENINGS HAVE SLIP & DRIVE CLEAT DUCT CONNECTIONS.
- CONTROL ASSEMBLY WILL BE SUPPLIED AS ILLUSTRATED ON RIGHT HAND SIDE UNLESS SPECIFIED OTHERWISE.
- PRESSURE INDEPENDENT.
- FOR ACCESSORIES SEE SUBMITTAL DRAWINGS.
- ASSEMBLY ETL CERTIFIED TO UL1995 & CSA236.
- PRICE CONTROLS FACTORY MOUNTED.
- PRICE THERMOSTAT FIELD MOUNTED.

**SUPPLY VOLTAGE:**

- 120/1φ
- 208/1φ (3 WIRE)
- 208/3φ (3 WIRE)
- 240/1φ
- 277/1φ
- 347/1φ
- 480/3φ (3 WIRE)
- 600/3φ (3 OR 4 WIRE)



ALL METRIC DIMENSIONS ( ) ARE SOFT CONVERTED. IMPERIAL DIMENSIONS ARE CONVERTED TO METRIC AND ROUNDED TO THE NEAREST MILLIMETER.

<b>PROJECT:</b>		<b>PRICE®</b>	
<b>ENGINEER:</b>		<b>BG</b>	<b>SDVLP8000</b> LOW PROFILE INTEGRAL ELECTRIC REHEAT SIZE 4 TO 16 ASSEMBLY PRICE CONTROLS
<b>CUSTOMER:</b>		240373	
<b>SUBMITTAL DATE:</b>	<b>SPEC. SYMBOL:</b>	2011/04/18	