

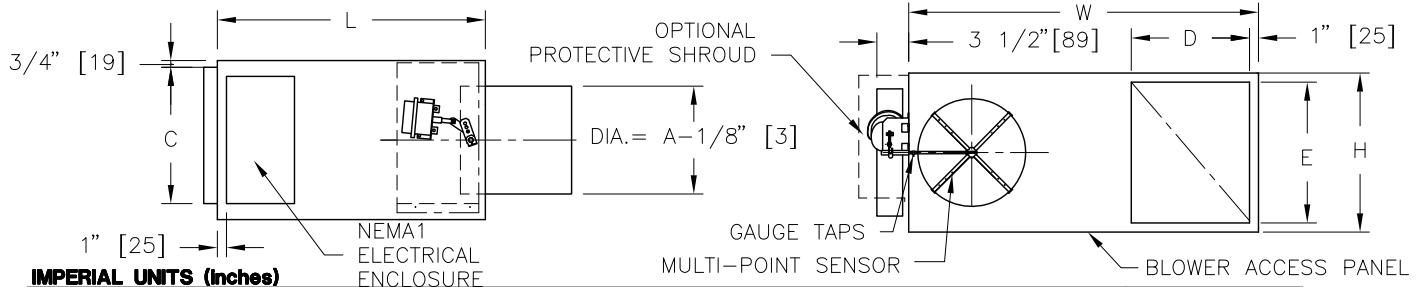
### STANDARD MOTOR

UNIT SIZE	MOTOR H.P.	FULL LOAD AMPS			
		115V	208V	240V	277V
20	1/8	2.9	0.9	0.8	1.1
30	1/4	4.7	0.8	0.7	1.7
40	1/2	9.8	3.8	3.8	3.2
50	3/4	12.3	5.4	5.2	4.4
60	1	-	6.5	7.8	7.8

### ECM MOTOR

UNIT SIZE	MOTOR H.P.	FULL LOAD AMPS		
		115V	240V	277V
20	1/3	3.9	1.9	1.6
30	1/2	7.0	3.5	3.0
40	1/2	7.7	3.5	3.0
50	1	12.6	6.1	5.4
60	1	12.6	6.1	5.4

FLA AT 0.1" w.g. (25Pa) EXTERNAL STATIC PRESSURE AT MAX. FLOW.



### IMPERIAL UNITS (Inches)

UNIT SIZE	MAXIMUM FAN CFM	PRIMARY AIR INLET A	RETURN AIR INLET		OUTLET DUCT SIZE		W	H	L	GAUGE
			D	E	B	C				
20	750	6,8,10	12	15 1/2	14	12 1/2	31	17 1/2	25 1/2	22
30	1350	8,10,12	12	15 1/2	14	12 1/2	31	17 1/2	25 1/2	22
40	2000	10,12,14	16	15 1/2	16	15	35	17 1/2	29 1/2	20
50	2400	12,14,16	21	18	20	17 1/2	42 1/4	20	35	20
60	3000	14,16	21	18	24	18	42 1/4	20	36 1/4	20

### SI UNITS (mm)

UNIT SIZE	MAXIMUM FAN L/S	PRIMARY AIR INLET A	RETURN AIR INLET		OUTLET DUCT SIZE		W	H	L	GAUGE
			D	E	B	C				
20	354	152,203,254	305	394	356	318	787	445	648	22
30	637	203,254,305	305	394	356	318	787	445	648	22
40	943	254,305,356	406	394	406	381	889	445	750	20
50	1132	305,356,406	533	457	508	445	1073	508	889	20
60	1415	356,406	533	457	610	457	1073	508	921	20

### NOTES:

- INTERNAL INSULATION - FIBERGLASS 3/4" (19mm) THICK, MIN. 1.5# DENSITY WHICH MEETS REQUIREMENTS OF NFPA 90A AND UL181
- ZINC COATED STEEL HOUSING - GAUGE SHOWN IN TABLE.
- ALL CONTROL COMPONENTS UTILIZE 20 PSI (138 kPa) CLEAN, DRY CONTROL AIR.
- UNITS NOT TO BE USED FOR TEMPORARY HEAT OR VENTILATION DURING CONSTRUCTION.
- MINIMUM 0.1" w.g. (25 Pa) EXTERNAL STATIC PRESSURE TO OPERATE.
- REFER TO SUBMITTED BOX SCHEDULE FOR AIR VOLUMES & INLET SIZES.
- CONTROLS MOUNTED ON LEFT HAND SIDE OF UNIT AS ILLUSTRATED.
- PRESSURE DEPENDENT.
- ELECTRIC MOTORS 1 PHASE, 60 CYCLE.
- LISTED UL1995 & CSA236 ASSEMBLY

### OPTIONS:

- ECM MOTOR       DISCONNECT SWITCH (DSW)       HANGER BRACKETS (HB)       SPRING HANGER BRACKETS (HBS)  
 PROTECTIVE SHROUD       FILTERS       CAM LATCHES       20ga CASING (sz.20,30 ONLY)  
 LINERS:     FF     FF1     FB     SM       PM     AFPM     1" (25mm) FIBERGLASS

ALL METRIC DIMENSIONS ( ) ARE SOFT CONVERTED. IMPERIAL DIMENSIONS ARE CONVERTED TO METRIC AND ROUNDED TO THE NEAREST MILLIMETER.



PROJECT:

ENGINEER:

CUSTOMER:

SUBMITTAL DATE:

SPEC. SYMBOL:

**86**

231168

2009/09/09

**FPV6000**

FAN POWERED TERMINALS  
VARIABLE VOLUME  
PNEUMATIC CONTROLS  
SIZES 20-60

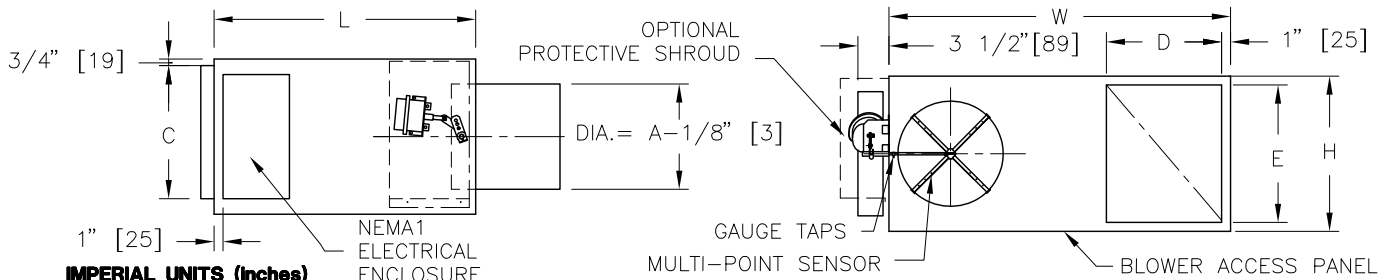
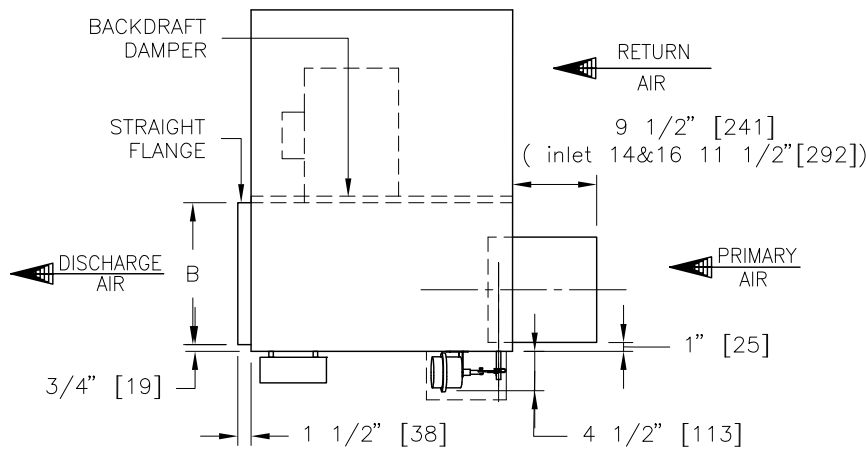
### STANDARD MOTOR

UNIT SIZE	MOTOR H.P.	FULL LOAD AMPS			
		115V	208V	240V	277V
20	1/8	2.9	0.9	0.8	1.1
30	1/4	4.7	0.8	0.7	1.7
40	1/2	9.8	3.8	3.8	3.2
50	3/4	12.3	5.4	5.2	4.4
60	1	-	6.5	7.8	7.8

### ECM MOTOR

UNIT SIZE	MOTOR H.P.	FULL LOAD AMPS		
		115V	240V	277V
20	1/3	3.9	1.9	1.6
30	1/2	7.0	3.5	3.0
40	1/2	7.7	3.5	3.0
50	1	12.6	6.1	5.4
60	1	12.6	6.1	5.4

FLA AT 0.1" w.g. (25Pa) EXTERNAL STATIC PRESSURE AT MAX. FLOW.



#### IMPERIAL UNITS (Inches)

UNIT SIZE	MAXIMUM FAN CFM	PRIMARY AIR INLET A	RETURN AIR INLET		OUTLET DUCT SIZE		W	H	L	GAUGE
			D	E	B	C				
20	750	6,8,10	12	15 1/2	14	12 1/2	31	17 1/2	25 1/2	22
30	1350	8,10,12	12	15 1/2	14	12 1/2	31	17 1/2	25 1/2	22
40	2000	10,12,14	16	15 1/2	16	15	35	17 1/2	29 1/2	20
50	2400	12,14,16	21	18	20	17 1/2	42 1/4	20	35	20
60	3000	14,16	21	18	24	18	42 1/4	20	36 1/4	20

#### SI UNITS (mm)

UNIT SIZE	MAXIMUM FAN L/S	PRIMARY AIR INLET A	RETURN AIR INLET		OUTLET DUCT SIZE		W	H	L	GAUGE
			D	E	B	C				
20	354	152,203,254	305	394	356	318	787	445	648	22
30	637	203,254,305	305	394	356	318	787	445	648	22
40	943	254,305,356	406	394	406	381	889	445	750	20
50	1132	305,356,406	533	457	508	445	1073	508	889	20
60	1415	356,406	533	457	610	457	1073	508	921	20

#### NOTES:

- INTERNAL INSULATION - FIBERGLASS 3/4" (19mm) THICK, MIN. 1.5# DENSITY WHICH MEETS REQUIREMENTS OF NFPA 90A AND UL181
- ZINC COATED STEEL HOUSING - GAUGES SHOWN IN TABLE.
- ALL CONTROL COMPONENTS UTILIZE 20 PSI (138 kPa) CLEAN, DRY CONTROL AIR.
- UNITS NOT TO BE USED FOR TEMPORARY HEAT OR VENTILATION DURING CONSTRUCTION.
- MINIMUM 0.1" w.g. (25 PA) EXTERNAL STATIC PRESSURE TO OPERATE.
- REFER TO SUBMITTED BOX SCHEDULE FOR AIR VOLUMES & INLET SIZES.
- CONTROLS MOUNTED ON LEFT HAND SIDE OF UNIT AS ILLUSTRATED. PRESSURE INDEPENDENT.
- ELECTRIC MOTORS 1 PHASE, 60 CYCLE.
- LISTED UL1995 & CSA236 ASSEMBLY

#### OPTIONS:

- ECM MOTOR
- DISCONNECT SWITCH (DSW)
- HANGER BRACKETS (HB)
- SPRING HANGER BRACKETS (HBS)
- PROTECTIVE SHROUD
- FILTERS
- CAM LATCHES
- 20ga CASING (sz.20,30 ONLY)
- LINERS:  FF  FF1  FB  SM  PM  AFPM
- 1" (25mm) FIBERGLASS

ALL METRIC DIMENSIONS ( ) ARE SOFT CONVERTED. IMPERIAL DIMENSIONS ARE CONVERTED TO METRIC AND ROUNDED TO THE NEAREST MILLIMETER.



PROJECT:



ENGINEER:

BE

CUSTOMER:

231169

SUBMITTAL DATE:

SPEC. SYMBOL:

2009/09/09

**FPV8000**  
FAN POWERED TERMINALS  
VARIABLE VOLUME  
PNEUMATIC CONTROLS  
SIZES 20-60

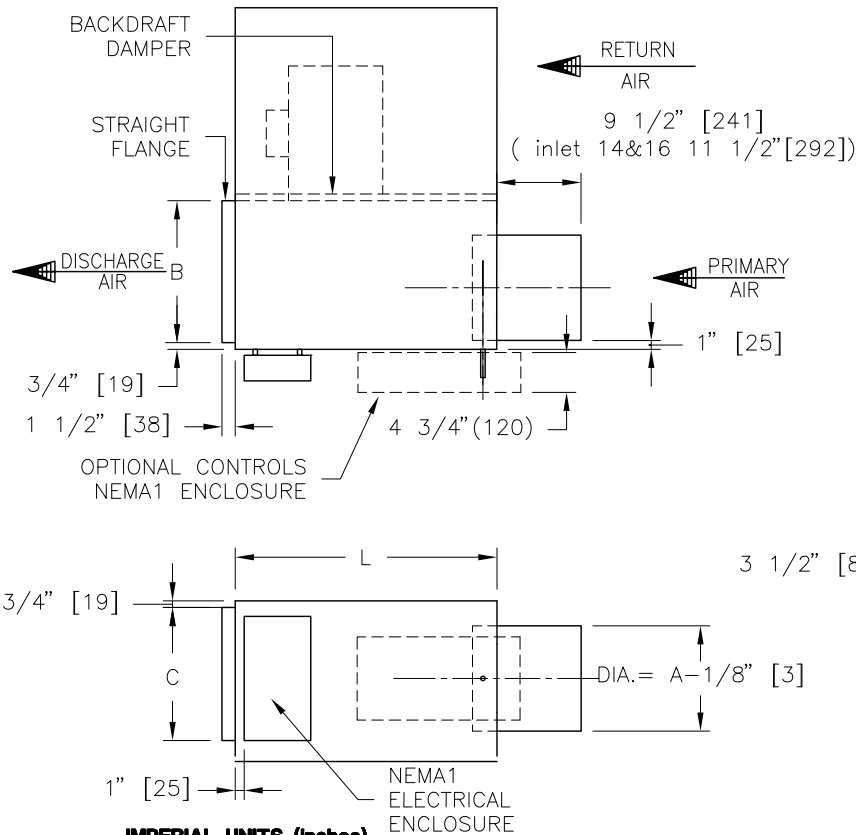
### STANDARD MOTOR

UNIT SIZE	MOTOR H.P.	FULL LOAD AMPS			
		115V	208V	240V	277V
20	1/8	2.9	0.9	0.8	1.1
30	1/4	4.7	0.8	0.7	1.7
40	1/2	9.8	3.8	3.8	3.2
50	3/4	12.3	5.4	5.2	4.4
60	1	-	6.5	7.8	7.8

### ECM MOTOR

UNIT SIZE	MOTOR H.P.	FULL LOAD AMPS		
		115V	240V	277V
20	1/3	3.9	1.9	1.6
30	1/2	7.0	3.5	3.0
40	1/2	7.7	3.5	3.0
50	1	12.6	6.1	5.4
60	1	12.6	6.1	5.4

FLA AT 0.1" w.g. (25Pa) EXTERNAL STATIC PRESSURE AT MAX. FLOW.



### IMPERIAL UNITS (Inches)

UNIT SIZE	MAXIMUM FAN CFM	PRIMARY AIR INLET A	RETURN AIR INLET		OUTLET DUCT SIZE		W	H	L	GAUGE
			D	E	B	C				
20	750	6,8,10	12	15 1/2	14	12 1/2	31	17 1/2	25 1/2	22
30	1350	8,10,12	12	15 1/2	14	12 1/2	31	17 1/2	25 1/2	22
40	2000	10,12,14	16	15 1/2	16	15	35	17 1/2	29 1/2	20
50	2400	12,14,16	21	18	20	17 1/2	42 1/4	20	35	20
60	3000	14,16	21	18	24	18	42 1/4	20	36 1/4	20

### SI UNITS (mm)

UNIT SIZE	MAXIMUM FAN L/S	PRIMARY AIR INLET A	RETURN AIR INLET		OUTLET DUCT SIZE		W	H	L	GAUGE
			D	E	B	C				
20	354	152,203,254	305	394	356	318	787	445	648	22
30	637	203,254,305	305	394	356	318	787	445	648	22
40	943	254,305,356	406	394	406	381	889	445	750	20
50	1132	305,356,406	533	457	508	445	1073	508	889	20
60	1415	356,406	533	457	610	457	1073	508	921	20

### NOTES:

- INTERNAL INSULATION - FIBERGLASS 3/4" (19mm) THICK, MIN. 1.5# DENSITY WHICH MEETS REQUIREMENTS OF NFPA 90A AND UL181
- ZINC COATED STEEL HOUSING - GAUGES SHOWN IN TABLE.
- DIGITAL CONTROLS BY CONTROL CONTRACTOR.
- UNITS NOT TO BE USED FOR TEMPORARY HEAT OR VENTILATION DURING CONSTRUCTION.
- MINIMUM 0.1" w.g. (25 PA) EXTERNAL STATIC PRESSURE TO OPERATE.
- REFER TO SUBMITTED BOX SCHEDULE FOR AIR VOLUMES & INLET SIZES.
- CONTROLS MOUNTED ON LEFT HAND SIDE OF UNIT AS ILLUSTRATED.
- ELECTRIC MOTORS 1 PHASE, 60 CYCLE.
- LISTED UL1995 & CSA236 ASSEMBLY.

### OPTIONS:

- ECM MOTOR
- DISCONNECT SWITCH (DSW)
- CONTROLS ENCLOSURE
- 20ga CASING (sz.20,30 ONLY)
- HANGER BRACKETS (HB)
- SPRING HANGER BRACKETS (HBS)
- FILTERS
- CAM LATCHES
- LINERS:  FF  FF1  FB  SM  PM  AFPM  1" (25mm) FIBERGLASS

ALL METRIC DIMENSIONS ( ) ARE SOFT CONVERTED. IMPERIAL DIMENSIONS ARE CONVERTED TO METRIC AND ROUNDED TO THE NEAREST MILLIMETER.



PROJECT:



ENGINEER:

BE

CUSTOMER:

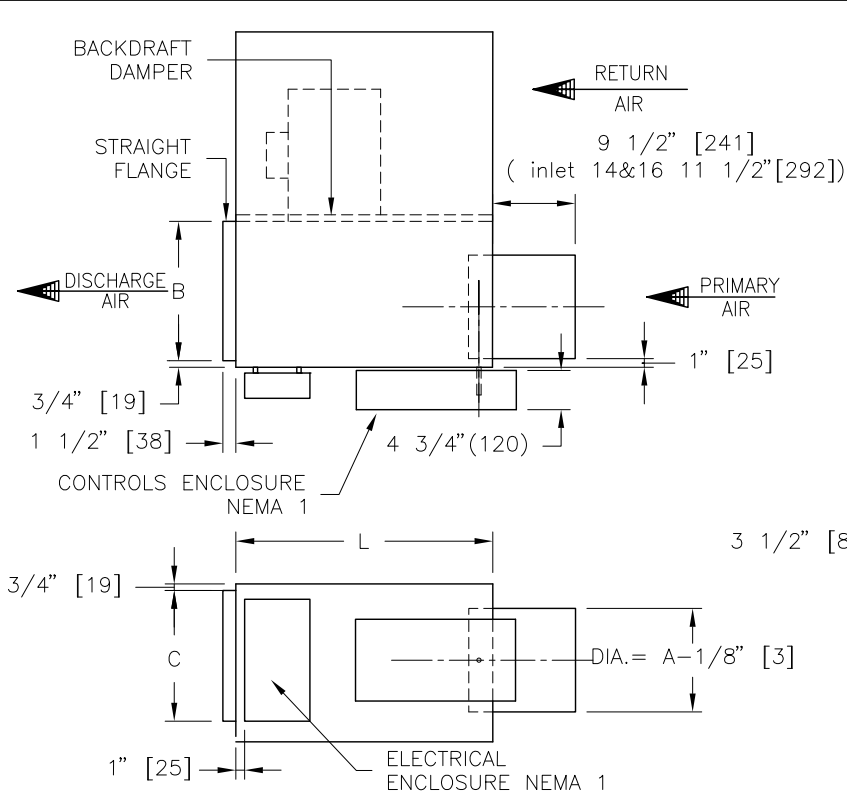
231171

SUBMITTAL DATE:

SPEC. SYMBOL:

2009/08/27

**FDV5000**  
FAN POWERED TERMINALS  
VARIABLE VOLUME  
DIGITAL CONTROLS  
SIZES 20-60

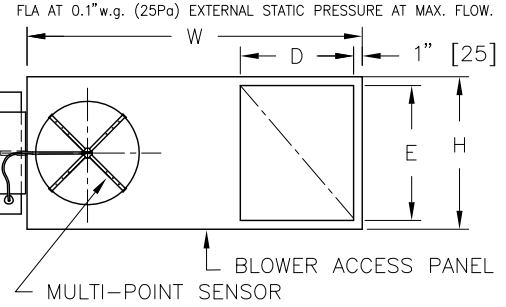


**STANDARD MOTOR**

UNIT SIZE	MOTOR H.P.	FULL LOAD AMPS			
		115V	208V	240V	277V
20	1/8	2.9	0.9	0.8	1.1
30	1/4	4.7	0.8	0.7	1.7
40	1/2	9.8	3.8	3.8	3.2
50	3/4	12.3	5.4	5.2	4.4
60	1	-	6.5	7.8	7.8

**ECM MOTOR**

UNIT SIZE	MOTOR H.P.	FULL LOAD AMPS		
		115V	240V	277V
20	1/3	3.9	1.9	1.6
30	1/2	7.0	3.5	3.0
40	1/2	7.7	3.5	3.0
50	1	12.6	6.1	5.4
60	1	12.6	6.1	5.4



**IMPERIAL UNITS (Inches)**

UNIT SIZE	MAXIMUM FAN CFM	PRIMARY AIR INLET A	RETURN AIR INLET		OUTLET DUCT SIZE		W	H	L	GAUGE
			D	E	B	C				
20	750	6,8,10	12	15 1/2	14	12 1/2	31	17 1/2	25 1/2	22
30	1350	8,10,12	12	15 1/2	14	12 1/2	31	17 1/2	25 1/2	22
40	2000	10,12,14	16	15 1/2	16	15	35	17 1/2	29 1/2	20
50	2400	12,14,16	21	18	20	17 1/2	42 1/4	20	35	20
60	3000	14,16	21	18	24	18	42 1/4	20	36 1/4	20

**SI UNITS (mm)**

UNIT SIZE	MAXIMUM FAN L/S	PRIMARY AIR INLET A	RETURN AIR INLET		OUTLET DUCT SIZE		W	H	L	GAUGE
			D	E	B	C				
20	354	152,203,254	305	394	356	318	787	445	648	22
30	637	203,254,305	305	394	356	318	787	445	648	22
40	943	254,305,356	406	394	406	381	889	445	750	20
50	1132	305,356,406	533	457	508	445	1073	508	889	20
60	1415	356,406	533	457	610	457	1073	508	921	20

**NOTES:**

- INTERNAL INSULATION - FIBERGLASS 3/4" (19mm) THICK, MIN. 1.5# DENSITY WHICH MEETS REQUIREMENTS OF NFPA 90A AND UL181
- ZINC COATED STEEL HOUSING - GAUGES SHOWN IN TABLE.
- UNITS NOT TO BE USED FOR TEMPORARY HEAT OR VENTILATION DURING CONSTRUCTION.
- MINIMUM 0.1" w.g. (25 PA) EXTERNAL STATIC PRESSURE TO OPERATE. (UNITS WITH ELECTRIC HEAT REQUIRE MINIMUM 0.2" w.g. (50 PA))
- REFER TO SUBMITTED BOX SCHEDULE FOR AIR VOLUMES & INLET SIZES.
- CONTROLS MOUNTED ON LEFT HAND SIDE OF UNIT AS ILLUSTRATED.
- ELECTRIC MOTORS 1 PHASE, 60 CYCLE.
- LISTED UL1995 & CSA236 ASSEMBLY.
- PRICE CONTROLS FACTORY MOUNTED.
- PRICE THERMOSTAT FIELD MOUNTED.



- OPTIONS:**  ECM MOTOR     DISCONNECT SWITCH (DSW)     20ga CASING (sz.20,30 ONLY)     FILTERS  
 HANGER BRACKETS (HB), SHIPPED LOOSE     SPRING HANGER BRACKETS (HBS)     CAM LATCHES  
 LINERS:  FF     FF1     FB     SM     PM     AFPM     1" (25mm) FIBERGLASS

ALL METRIC DIMENSIONS ( ) ARE SOFT CONVERTED. IMPERIAL DIMENSIONS ARE CONVERTED TO METRIC AND ROUNDED TO THE NEAREST MILLIMETER.

<b>PROJECT:</b>		<b>PRICE</b> <sup>®</sup>	
<b>ENGINEER:</b>		<b>BG</b>	<b>FDV8000</b>
<b>CUSTOMER:</b>		240367	FAN POWERED TERMINALS VARIABLE VOLUME PRICE CONTROLS SIZES 20-60
<b>SUBMITTAL DATE:</b>	<b>SPEC. SYMBOL:</b>	2011/04/20	