

STANDARD MOTOR

UNIT SIZE	MOTOR H.P.	FULL LOAD AMPS			
		115V	208V	240V	277V
20	1/8	2.7	1.2	1.2	1.0
30	1/4	3.9	2.2	2.2	1.5
40	1/2	5.7	2.5	2.4	2.4

ECM MOTOR

UNIT SIZE	MOTOR H.P.	FULL LOAD AMPS		
		115V	240V	277V
10	1/3	1.4	0.7	0.6
20	1/2	2.7	1.3	1.1
30	1/2	5.5	2.2	2.2
40	1/2	6.4	2.8	2.8

IMPERIAL UNITS (Inches)

UNIT SIZE	MAXIMUM FAN CFM	PRIMARY AIR		RETURN AIR INLET		OUTLET DUCT SIZE		L	W	H
		INLET A	B	C	D (**)	E				
10	400	5,6	14	8	12	10	41	21	10½	
20	600	6,8	14	8	12	10	41	21	10½	
30	1000	8,10	18	8	12 (21)	10	41	21	10½	
40	1450	10,12	14	10½	14 (21)	12½	41	21	12½	

SI UNITS (mm)

UNIT SIZE	MAXIMUM FAN L/S	PRIMARY AIR		RETURN AIR INLET		OUTLET DUCT SIZE		L	W	H
		INLET A	B	C	D (**)	E				
10	189	127,152	356	203	305	254	1041	533	267	
20	283	152,203	356	203	305	254	1041	533	267	
30	472	203,254	457	203	305 (533)	254	1041	533	267	
40	684	254,305	356	267	356 (533)	318	1041	533	318	

NOTES:

- INTERNAL INSULATION - FIBERGLASS 1/2" (13mm) THICK, MIN. 1.5# DENSITY WHICH MEETS REQUIREMENTS OF NFPA 90A AND UL181
- 22 GA. ZINC COATED STEEL HOUSING. MECHANICALLY SEALED LEAK RESISTANT CONSTRUCTION.
- ALL CONTROL COMPONENTS UTILIZE 20 PSI (138 kPa) CLEAN, DRY CONTROL AIR.
- UNITS NOT TO BE USED FOR TEMPORARY HEAT OR VENTILATION DURING CONSTRUCTION.
- UNITS MUST HAVE MINIMUM 0.1" w.g. (25 PA) EXTERNAL STATIC PRESSURE TO OPERATE.
- REFER TO SUBMITTED BOX SCHEDULE FOR AIR VOLUMES & INLET SIZES.
- ELECTRIC MOTOR 1 PHASE, 60 CYCLE
- LISTED UL1995 & CSA236 ASSEMBLY

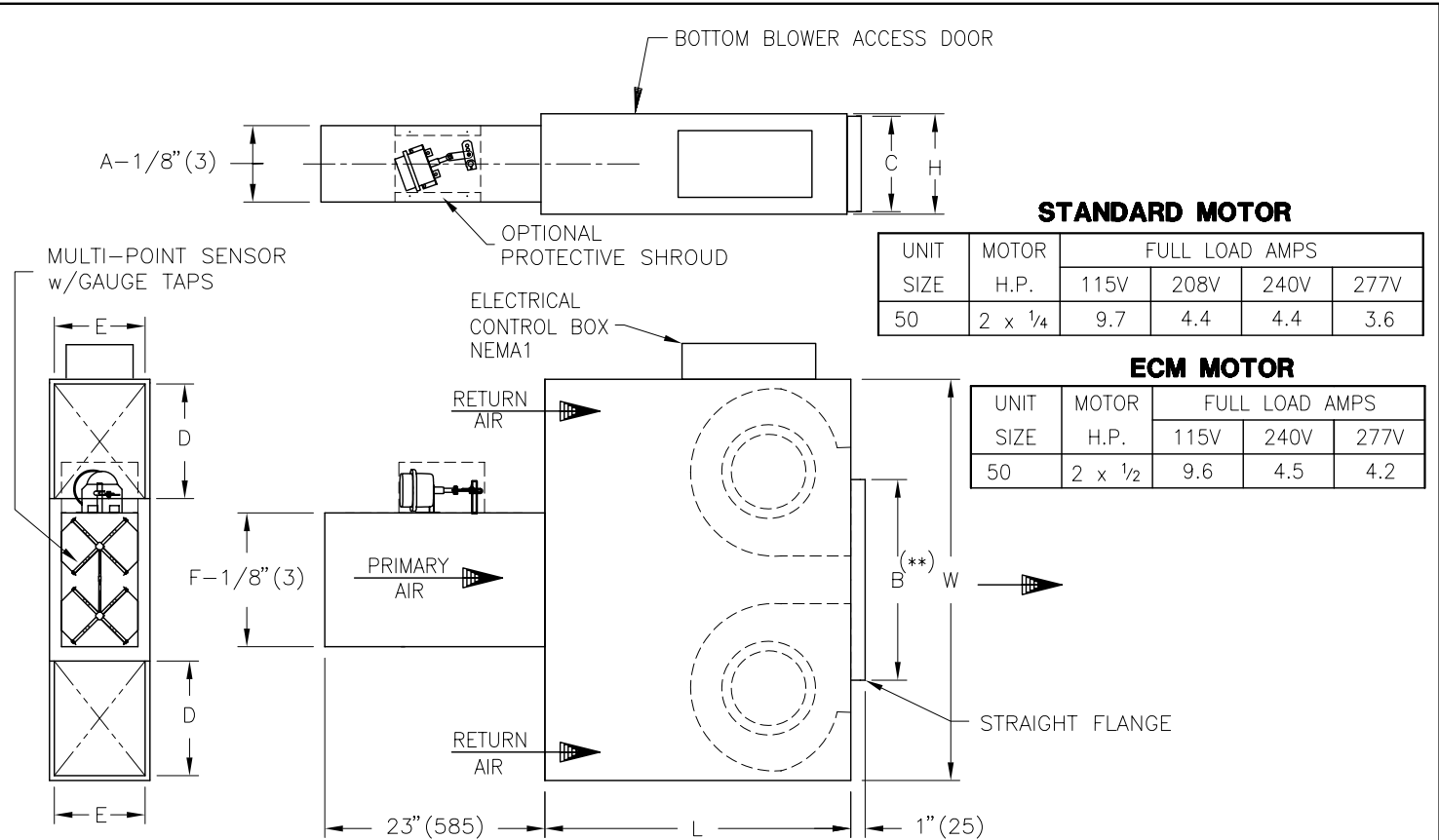
(**) NOTE LARGER OUTLET SIZE IF WATER COIL IS SUPPLIED



- OPTIONS:**
- | | | |
|--|---|--------------------------------------|
| <input type="checkbox"/> DISCONNECT SWITCH (DSW) | <input type="checkbox"/> PROTECTIVE SHROUD | <input type="checkbox"/> FILTERS |
| <input type="checkbox"/> HANGER BRACKETS (HB) | <input type="checkbox"/> SPRING HANGER BRACKETS (HBS) | <input type="checkbox"/> CAM LATCHES |
| LINERS : <input type="checkbox"/> FF50 <input type="checkbox"/> FB | <input type="checkbox"/> ECM MOTOR | |

ALL METRIC DIMENSIONS () ARE SOFT CONVERTED. IMPERIAL DIMENSIONS ARE CONVERTED TO METRIC AND ROUNDED TO THE NEAREST MILLIMETER.

PROJECT:	PRICE®	
ENGINEER:	BG	FPCLP8000 LOW PROFILE FAN POWERED TERMINALS CONSTANT VOLUME SIZE 10,20,30,40
CUSTOMER:	237108	
SUBMITTAL DATE:	OCT 08	
SPEC. SYMBOL:		



STANDARD MOTOR

UNIT SIZE	MOTOR H.P.	FULL LOAD AMPS			
		115V	208V	240V	277V
50	2 x 1/4	9.7	4.4	4.4	3.6

ECM MOTOR

UNIT SIZE	MOTOR H.P.	FULL LOAD AMPS		
		115V	240V	277V
50	2 x 1/2	9.6	4.5	4.2

IMPERIAL UNITS (Inches)

UNIT SIZE	MAXIMUM FAN CFM STANDARD	PRIMARY AIR INLET F x A	RETURN AIR INLET		OUTLET DUCT SIZE		L	W	H
			D	E	B (**)	C			
50	1900	∅10, 14 x 8	12	9½	21 (36)	10	32	42	10½

SI UNITS (mm)

UNIT SIZE	MAXIMUM FAN L/S STANDARD	PRIMARY AIR INLET F X A	RETURN AIR INLET		OUTLET DUCT SIZE		L	W	H
			D	E	B (**)	C			
50	897	∅254, 356 x 203	305	241	533 (915)	254	813	1067	267

NOTES:

- INTERNAL INSULATION – FIBERGLASS ½” (13mm) THICK, MIN. 1.5# DENSITY WHICH MEETS REQUIREMENTS OF NFPA 90A AND UL181
- 20 GA. ZINC COATED STEEL HOUSING. MECHANICALLY SEALED LEAK RESISTANT CONSTRUCTION.
- ALL CONTROL COMPONENTS UTILIZE 20 PSI (138 kPa) CLEAN, DRY CONTROL AIR.
- UNITS NOT TO BE USED FOR TEMPORARY HEAT OR VENTILATION DURING CONSTRUCTION.
- UNITS MUST HAVE MINIMUM 0.1” w.g. (25 PA) EXTERNAL STATIC PRESSURE TO OPERATE.
- REFER TO SUBMITTED BOX SCHEDULE FOR AIR VOLUMES & INLET SIZES.
- ELECTRIC MOTOR 1 PHASE, 60 CYCLE.
- LISTED UL1995 & CSA236 ASSEMBLY

(**) NOTE LARGER OUTLET SIZE IF WATER COIL IS SUPPLIED



OPTIONS:

- DISCONNECT SWITCH (DSW) PROTECTIVE SHROUD FILTERS
 HANGER BRACKETS (HB) SPRING HANGER BRACKETS (HBS) CAM LATCHES ECM MOTOR
 LINERS: FF50 FB

ALL METRIC DIMENSIONS () ARE SOFT CONVERTED. IMPERIAL DIMENSIONS ARE CONVERTED TO METRIC AND ROUNDED TO THE NEAREST MILLIMETER.

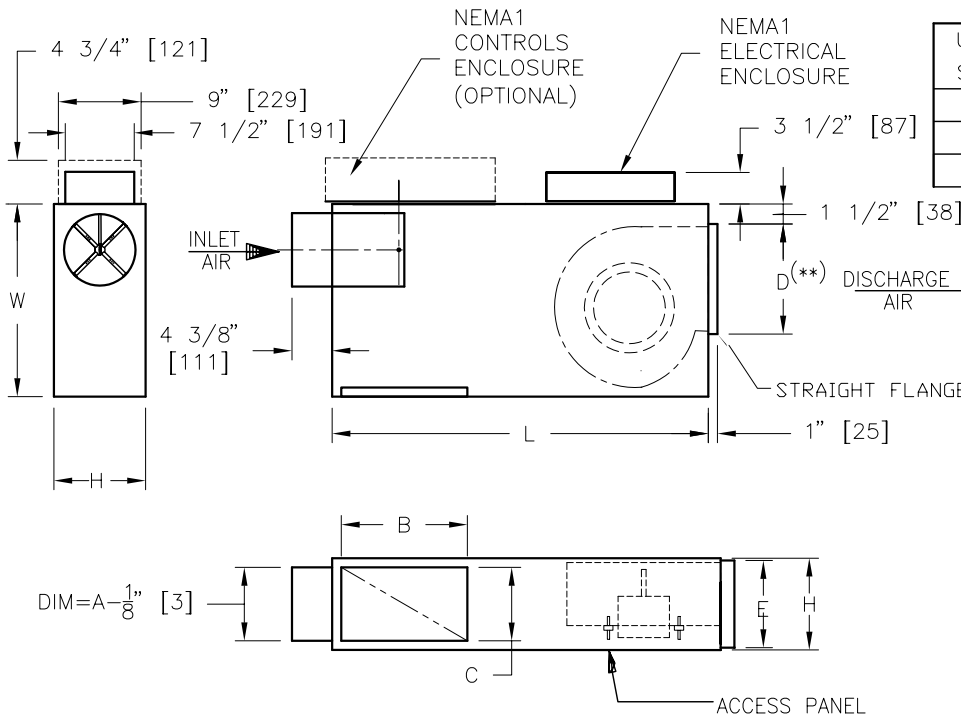
PROJECT:		<h1>PRICE®</h1>	
ENGINEER:			
CUSTOMER:		237108	LOW PROFILE FAN POWERED TERMINALS CONSTANT VOLUME SIZE 50
SUBMITTAL DATE:	SPEC. SYMBOL:	OCT 08	

STANDARD MOTOR

UNIT SIZE	MOTOR H.P.	FULL LOAD AMPS			
		115V	208V	240V	277V
20	1/8	2.7	1.2	1.2	1.0
30	1/4	3.9	2.2	2.2	1.5
40	1/2	5.7	2.5	2.4	2.4

ECM MOTOR

UNIT SIZE	MOTOR H.P.	FULL LOAD AMPS		
		115V	240V	277V
10	1/3	1.4	0.7	0.6
20	1/2	2.7	1.3	1.1
30	1/2	5.5	2.2	2.2
40	1/2	6.4	2.8	2.8



IMPERIAL UNITS (Inches)

UNIT SIZE	MAXIMUM FAN CFM	PRIMARY AIR	RETURN AIR INLET		OUTLET DUCT SIZE		L	W	H
		INLET A	B	C	D (**)	E			
10	400	5,6	14	8	12	10	41	21	10 1/2
20	600	6,8	14	8	12	10	41	21	10 1/2
30	1000	8,10	18	8	12 (21)	10	41	21	10 1/2
40	1450	10,12	14	10 1/2	14 (21)	12 1/2	41	21	12 1/2

SI UNITS (mm)

UNIT SIZE	MAXIMUM FAN L/S	PRIMARY AIR	RETURN AIR INLET		OUTLET DUCT SIZE		L	W	H
		INLET A	B	C	D (**)	E			
10	189	127,152	356	203	305	254	1041	533	267
20	283	152,203	356	203	305	254	1041	533	267
30	472	203,254	457	203	305 (533)	254	1041	533	267
40	684	254,305	356	267	356 (533)	318	1041	533	318

NOTES:

- INTERNAL INSULATION – FIBERGLASS 1/2" (13mm) THICK, MIN. 1.5# DENSITY WHICH MEETS REQUIREMENTS OF NFPA 90A AND UL181
- 22 GA. ZINC COATED STEEL HOUSING. MECHANICALLY SEALED LEAK RESISTANT CONSTRUCTION.
- DIGITAL CONTROLS BY CONTROL CONTRACTOR.
- UNITS NOT TO BE USED FOR TEMPORARY HEAT OR VENTILATION DURING CONSTRUCTION.
- UNITS MUST HAVE MINIMUM 0.1" w.g. (25 PA) EXTERNAL STATIC PRESSURE TO OPERATE.
- REFER TO SUBMITTED BOX SCHEDULE FOR AIR VOLUMES & INLET SIZES.
- ELECTRIC MOTOR 1 PHASE, 60 CYCLE
- LISTED UL1995 & CSA236 ASSEMBLY

(**) NOTE LARGER OUTLET SIZE IF WATER COIL IS SUPPLIED

- OPTIONS:** HANGER BRACKETS (HB) SPRING HANGER BRACKETS (HBS) DISCONNECT SWITCH (DSW)
 CONTROLS ENCLOSURE CAM LATCHES DISCONNECT SWITCH ECM MOTOR FILTERS
 LINERS: FF50 FB

ALL METRIC DIMENSIONS () ARE SOFT CONVERTED. IMPERIAL DIMENSIONS ARE CONVERTED TO METRIC AND ROUNDED TO THE NEAREST MILLIMETER.



PROJECT:



ENGINEER:

BG

CUSTOMER:

237110

SUBMITTAL DATE:

OCT 08

SPEC. SYMBOL:

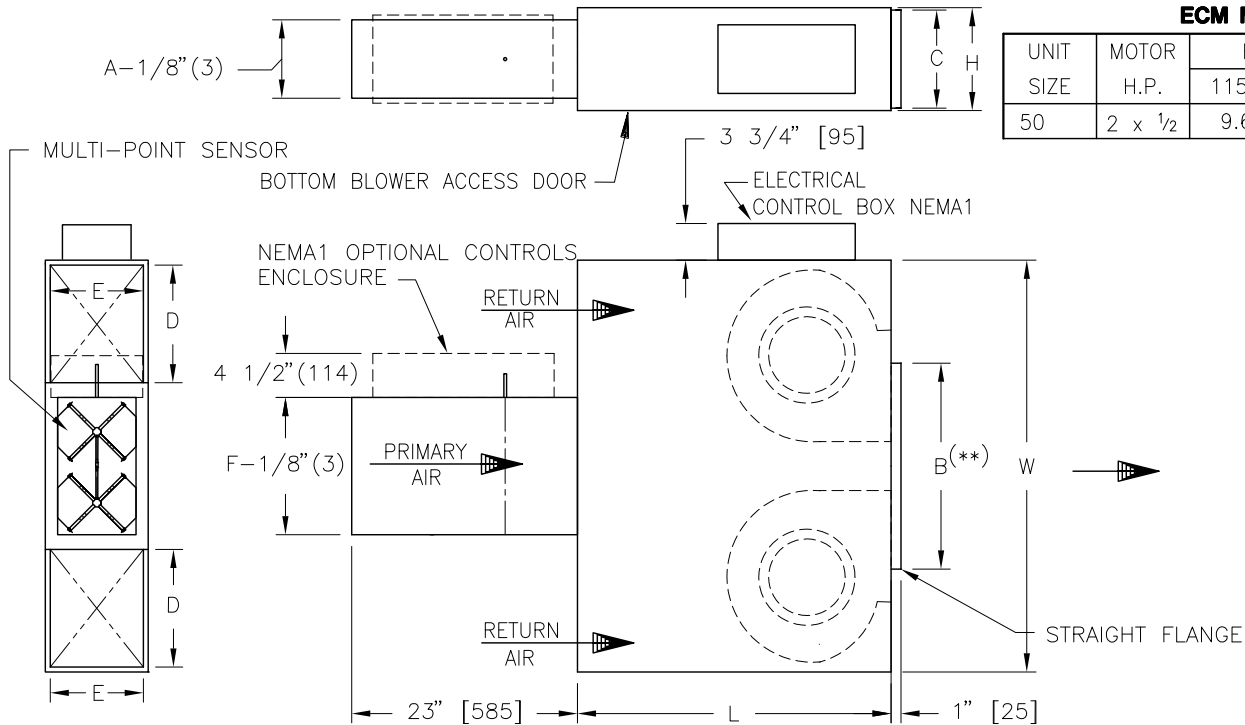
FDCLP5000
 LOW PROFILE
 FAN POWERED TERMINALS
 CONSTANT VOLUME
 SIZE 10,20,30,40

STANDARD MOTOR

UNIT SIZE	MOTOR H.P.	FULL LOAD AMPS			
		115V	208V	240V	277V
50	2 x 1/4	9.7	4.4	4.4	3.6

ECM MOTOR

UNIT SIZE	MOTOR H.P.	FULL LOAD AMPS		
		115V	240V	277V
50	2 x 1/2	9.6	4.5	4.2



IMPERIAL UNITS (Inches)

UNIT SIZE	MAXIMUM FAN CFM STANDARD	PRIMARY AIR INLET F x A	RETURN AIR INLETS		OUTLET DUCT SIZE		L	W	H
			D	E	B (**)	C			
50	1900	ø10, 14 x 8	12	9 1/2	21 (36)	10	32	42	10 1/2

SI UNITS (mm)

UNIT SIZE	MAXIMUM FAN L/S STANDARD	PRIMARY AIR INLET F X A	RETURN AIR INLETS		OUTLET DUCT SIZE		L	W	H
			D	E	B (**)	C			
50	897	ø254, 356 x 203	305	241	533 (915)	254	813	1067	267

NOTES:

- INTERNAL INSULATION – FIBERGLASS 1/2" (13mm) THICK, MIN. 1.5# DENSITY WHICH MEETS REQUIREMENTS OF NFPA 90A AND UL181
- 20 GA. ZINC COATED STEEL HOUSING. MECHANICALLY SEALED LEAK RESISTANT CONSTRUCTION.
- DIGITAL CONTROLS BY CONTROL CONTRACTOR.
- UNITS NOT TO BE USED FOR TEMPORARY HEAT OR VENTILATION DURING CONSTRUCTION.
- UNITS MUST HAVE MINIMUM 0.1" w.g. (25 PA) EXTERNAL STATIC PRESSURE TO OPERATE. (UNITS WITH ELECTRIC HEAT REQUIRE MINIMUM 0.2" w.g. (50 PA))
- REFER TO SUBMITTED BOX SCHEDULE FOR AIR VOLUMES & INLET SIZES.
- ELECTRIC MOTOR 1 PHASE, 60 CYCLE.
- LISTED UL1995 & CSA236 ASSEMBLY

(**) NOTE LARGER OUTLET SIZE IF WATER COIL IS SUPPLIED

OPTIONS:

- HANGER BRACKETS (HB) SPRING HANGER BRACKETS (HBS) FILTERS DISCONNECT SWITCH (DSW)
 CONTROLS ENCLOSURE CAM LATCHES ECM MOTOR
 LINERS: FF50 FB

ALL METRIC DIMENSIONS () ARE SOFT CONVERTED. IMPERIAL DIMENSIONS ARE CONVERTED TO METRIC AND ROUNDED TO THE NEAREST MILLIMETER.



PROJECT:



ENGINEER:

BE

CUSTOMER:

237110

SUBMITTAL DATE:

2011/04/19

SPEC. SYMBOL:

FDCLP5000

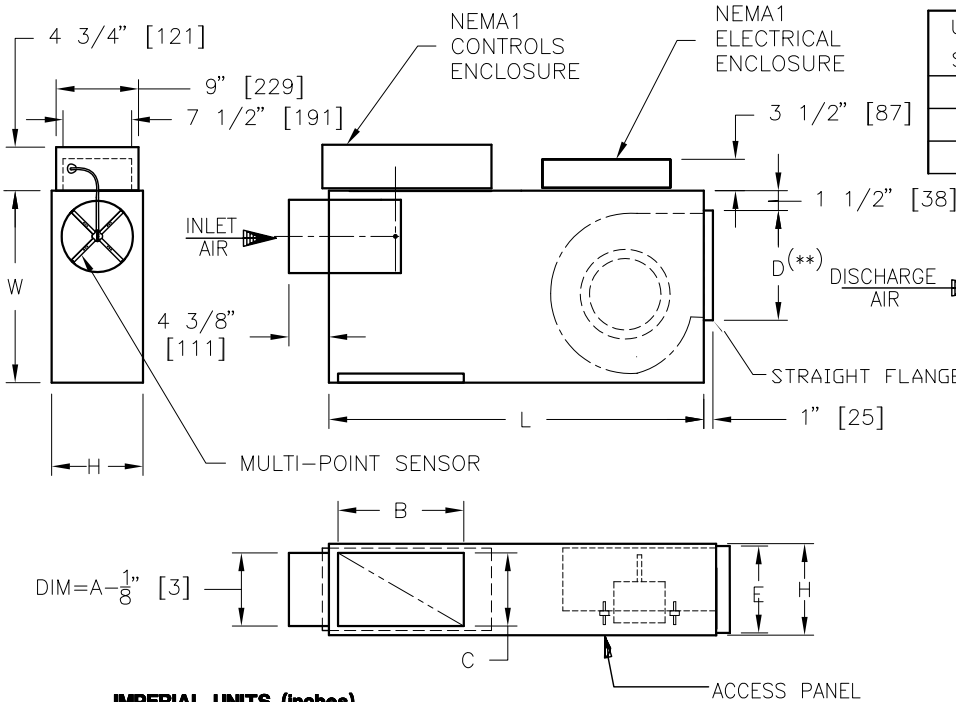
LOW PROFILE
FAN POWERED TERMINALS
CONSTANT VOLUME
SIZE 50

STANDARD MOTOR

UNIT SIZE	MOTOR H.P.	FULL LOAD AMPS			
		115V	208V	240V	277V
20	1/8	2.7	1.2	1.2	1.0
30	1/4	3.9	2.2	2.2	1.5
40	1/2	5.7	2.5	2.4	2.4

ECM MOTOR

UNIT SIZE	MOTOR H.P.	FULL LOAD AMPS		
		115V	240V	277V
20	1/2	2.7	1.3	1.1
30	1/2	5.5	2.2	2.2
40	1/2	6.4	2.8	2.8



IMPERIAL UNITS (Inches)

UNIT SIZE	MAXIMUM FAN CFM	PRIMARY AIR		RETURN AIR INLET		OUTLET DUCT SIZE		L	W	H
		INLET A	B	C	D (**)	E				
10	400	5,6	14	8	12	10	41	21	10 1/2	
20	600	6,8	14	8	12	10	41	21	10 1/2	
30	1000	8,10	18	8	12 (21)	10	41	21	10 1/2	
40	1450	10,12	14	10 1/2	14 (21)	12 1/2	41	21	12 1/2	

SI UNITS (mm)

UNIT SIZE	MAXIMUM FAN L/S	PRIMARY AIR		RETURN AIR INLET		OUTLET DUCT SIZE		L	W	H
		INLET A	B	C	D (**)	E				
10	189	127,152	356	203	305	254	1041	533	267	
20	283	152,203	356	203	305	254	1041	533	267	
30	472	203,254	457	203	305 (533)	254	1041	533	267	
40	684	254,305	356	267	356 (533)	318	1041	533	318	

NOTES:

- INTERNAL INSULATION – FIBERGLASS 1/2" (13mm) THICK, MIN. 1.5# DENSITY WHICH MEETS REQUIREMENTS OF NFPA 90A AND UL181
- 22 GA. ZINC COATED STEEL HOUSING. MECHANICALLY SEALED LEAK RESISTANT CONSTRUCTION.
- UNITS NOT TO BE USED FOR TEMPORARY HEAT OR VENTILATION DURING CONSTRUCTION.
- UNITS MUST HAVE MINIMUM 0.1" w.g. (25 PA) EXTERNAL STATIC PRESSURE TO OPERATE. (UNITS WITH ELECTRIC HEAT REQUIRE MINIMUM 0.2" w.g. (50 PA))
- REFER TO SUBMITTED BOX SCHEDULE FOR AIR VOLUMES & INLET SIZES.
- ELECTRIC MOTOR 1 PHASE, 60 CYCLE
- LISTED UL1995 & CSA236 ASSEMBLY
- PRICE CONTROLS FACTORY MOUNTED.
- PRICE THERMOSTAT FIELD MOUNTED.

(**) NOTE LARGER OUTLET SIZE IF WATER COIL IS SUPPLIED

- OPTIONS:**
- HANGER BRACKETS (HB), SHIPPED LOOSE
 - SPRING HANGER BRACKETS (HBS)
 - DISCONNECT SWITCH (DSW)
 - CAM LATCHES
 - DISCONNECT SWITCH
 - ECM MOTOR
 - FILTERS
 - LINERS: FF50 FB

ALL METRIC DIMENSIONS () ARE SOFT CONVERTED. IMPERIAL DIMENSIONS ARE CONVERTED TO METRIC AND ROUNDED TO THE NEAREST MILLIMETER.




PROJECT:

ENGINEER:

CUSTOMER:

SUBMITTAL DATE:

SPEC. SYMBOL:



BG

240369

2011/04/19

FDCLP8000

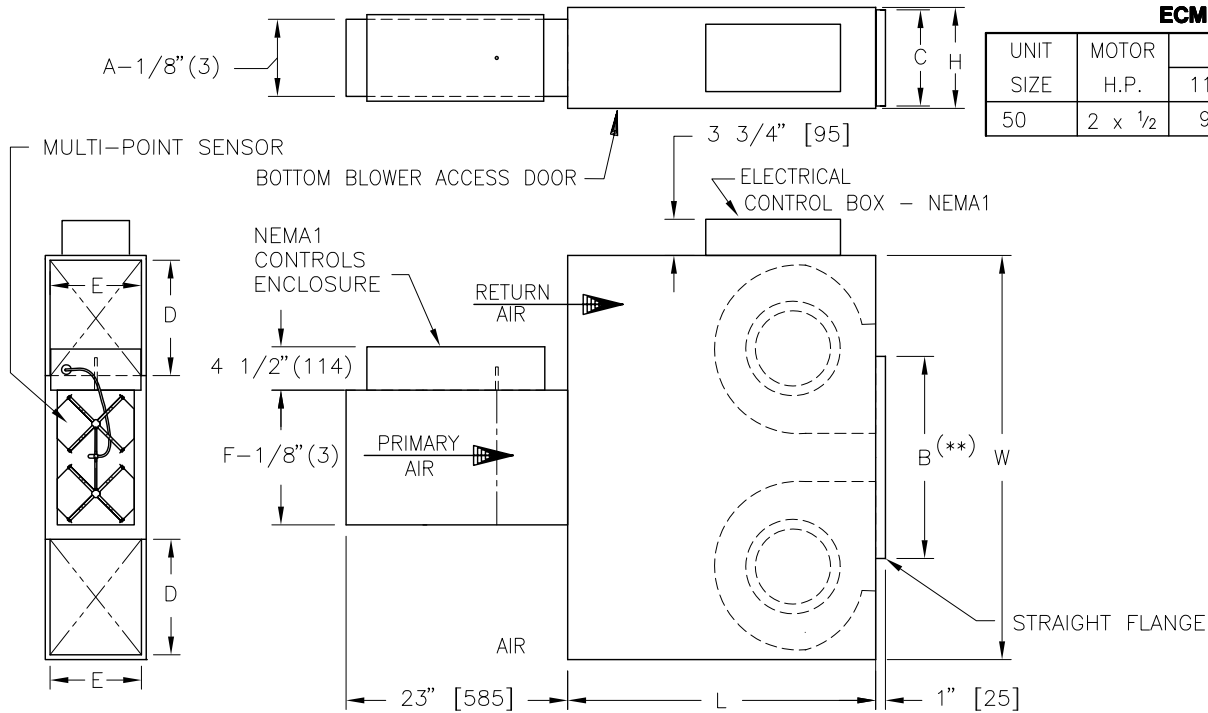
LOW PROFILE
FAN POWERED TERMINALS
CONST. VOL., SZ. 10 – 40
PRICE CONTROLS

STANDARD MOTOR

UNIT SIZE	MOTOR H.P.	FULL LOAD AMPS			
		115V	208V	240V	277V
50	2 x 1/4	9.7	4.4	4.4	3.6

ECM MOTOR

UNIT SIZE	MOTOR H.P.	FULL LOAD AMPS		
		115V	240V	277V
50	2 x 1/2	9.6	4.5	4.2



IMPERIAL UNITS (Inches)

UNIT SIZE	MAXIMUM FAN CFM	PRIMARY AIR INLET F x A	RETURN AIR INLETS		OUTLET DUCT SIZE		L	W	H
	STANDARD		D	E	B(**)	C			
50	1900	ø10, 14 x 8	12	9 1/2	21(36)	10	32	42	10 1/2

ITS (mm)

UNIT SIZE	MAXIMUM FAN L/S	PRIMARY AIR INLET F x A	RETURN AIR INLETS		OUTLET DUCT SIZE		L	W	H
	STANDARD		D	E	B(**)	C			
50	897	ø254, 356 x 203	305	241	533(914)	254	813	1067	267

- INTERNAL INSULATION – FIBERGLASS 1/2" (13mm) THICK, MIN. 1.5# DENSITY WHICH MEETS REQUIREMENTS OF NFPA 90A AND UL181
- 20 GA. ZINC COATED STEEL HOUSING. MECHANICALLY SEALED LEAK RESISTANT CONSTRUCTION.
- UNITS NOT TO BE USED FOR TEMPORARY HEAT OR VENTILATION DURING CONSTR.

(UNITS WITH ELECTRIC HEAT REQUIRE MINIMUM 0.2" w.g. (50 PA))

- ELECTRIC MOTOR 1 PHASE, 60 CYCLE.
- LISTED UL1995 & CSA236 ASSEMBLY
- PRICE CONTROLS FACTORY MOUNTED.
- PRICE THERMOSTAT FIELD MOUNTED.

(**) NOTE LARGER OUTLET SIZE IF WATER COIL IS SUPPLIED



- OPTIONS:** SPRING HANGER BRACKETS (HBS) FILTERS DISCONNECT SWITCH (DSW)
 CAM LATCHES ECM MOTOR HANGER BRACKETS (HB), SHIPPED LOOSE LINERS: FF50 FB

ALL METRIC DIMENSIONS () ARE SOFT CONVERTED. IMPERIAL DIMENSIONS ARE CONVERTED TO METRIC AND ROUNDED TO THE NEAREST MILLIMETER.

PROJECT:		PRICE®	
ENGINEER:		BE	FDCLP8000 LOW PROFILE FAN POWERED TERMINALS CONSTANT VOLUME, SZ.50 PRICE CONTROLS
CUSTOMER:		240369	
SUBMITTAL DATE:	SPEC. SYMBOL:	2011/04/19	