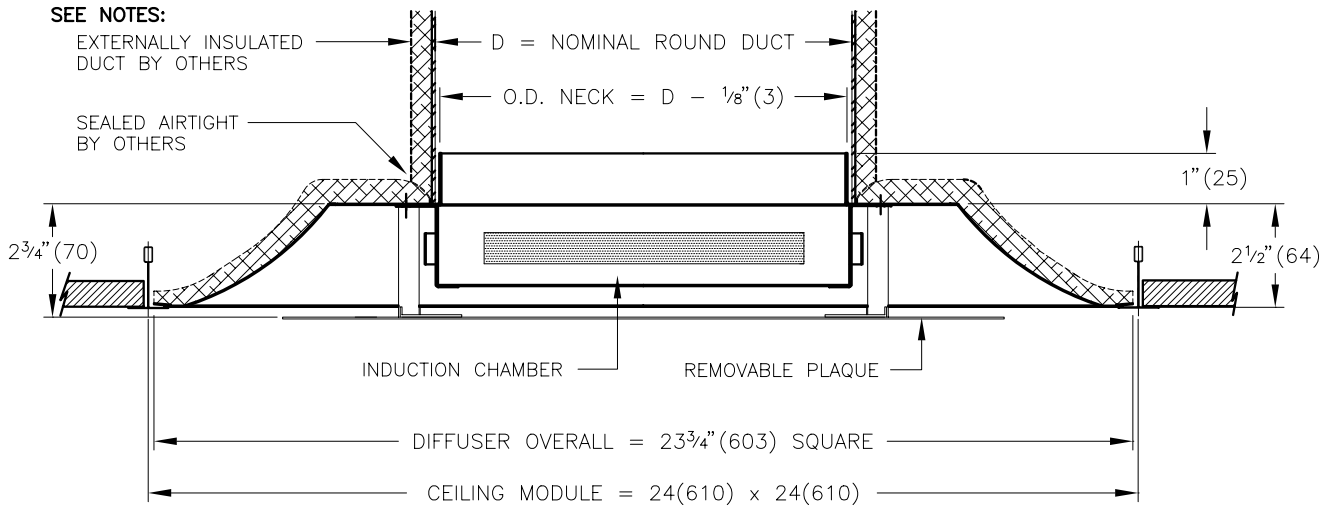


**SPDLT, ASPDLT SQUARE PLAQUE DIFFUSER  
LOW TEMPERATURE**



CEILING MODULE	NOMINAL ROUND DUCT			
24 X 24	4	6	8	10
(610) X (610)	(102)	(152)	(203)	(254)

**MATERIAL:**

- SPDLT - STEEL CONSTRUCTION
- ASPDLT - ALUMINUM CONSTRUCTION

**FINISH:**

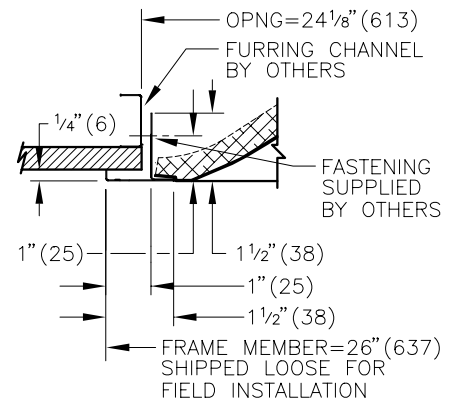
- B12 WHITE (OPTIONAL FINISHES AVAILABLE)

**NOTES:**

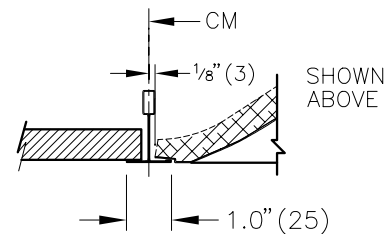
- BACK PAN EXTERNALLY INSULATED WITH 3/4" (19mm) DUAL DENSITY FIBREGLASS WITH FOIL FACE WHICH MEETS REQUIREMENTS OF NFPA 90A AND UL181
- INDUCTION CHAMBER INTERNALLY INSULATED WITH 1/2" (13) FIBREGLASS WITH FOIL FACE WHICH MEETS REQUIREMENTS OF NFPA 90A AND UL181
- INTERNAL PLAQUE FACE THERMALLY PROTECTED
- OTHERS TO PROVIDE EXTERNALLY INSULATED DUCT WITH VAPOR BARRIER, IN ACCORDANCE WITH RECOMMENDED INDUSTRY PRACTICE FOR LOW TEMPERATURE INSTALLATION
- OTHERS TO SEAL AIRTIGHT THE FIELD JOINT AT THE DIFFUSER WITH INDUSTRY APPROVAL DUCT SEALER

**FRAMES:**

- STYLE 1 - SURFACE MOUNT



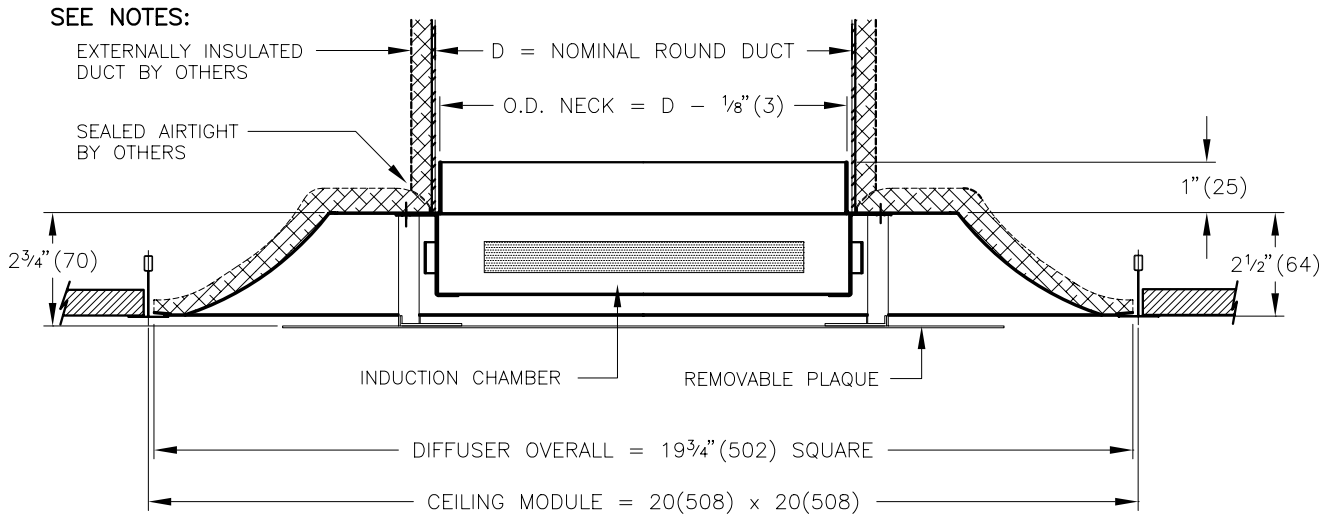
- STYLE 31 T-BAR



ALL METRIC DIMENSIONS ( ) ARE SOFT CONVERTED. IMPERIAL DIMENSIONS ARE CONVERTED TO METRIC AND ROUNDED TO THE NEAREST MILLIMETER.

<b>PROJECT:</b>		<b>PRICE</b> <sup>®</sup>	
<b>ENGINEER:</b>		<i>KL</i>	<b>SPDLT, ASPDLT</b> SQUARE PLAQUE DIFFUSER LOW TEMPERATURE AIR DISTRIBUTION 24" MODULE
<b>CUSTOMER:</b>		225183	
<b>SUBMITTAL DATE:</b>	<b>SPEC. SYMBOL:</b>	DEC 1999	

**SPDLT, ASPDLT SQUARE PLAQUE DIFFUSER  
LOW TEMPERATURE**



CEILING MODULE	NOMINAL ROUND DUCT		
20 X 20	4	6	8
(508) X (508)	(102)	(152)	(203)

**MATERIAL:**

- SPDLT - STEEL CONSTRUCTION
- ASPDLT - ALUMINUM CONSTRUCTION

**FINISH:**

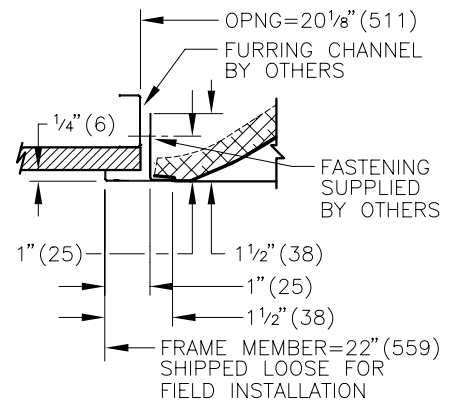
- B12 WHITE (OPTIONAL FINISHES AVAILABLE)

**NOTES:**

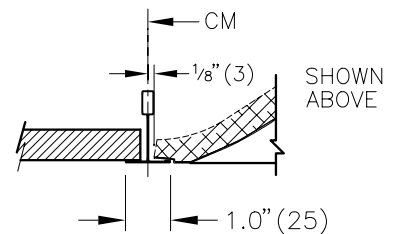
- BACK PAN EXTERNALLY INSULATED WITH 3/4" (19mm) DUAL DENSITY FIBREGLASS WITH FOIL FACE WHICH MEETS REQUIREMENTS OF NFPA 90A AND UL181
- INDUCTION CHAMBER INTERNALLY INSULATED WITH 1/2" (13) FIBREGLASS WITH FOIL FACE WHICH MEETS REQUIREMENTS OF NFPA 90A AND UL181
- INTERNAL PLAQUE FACE THERMALLY PROTECTED
- OTHERS TO PROVIDE EXTERNALLY INSULATED DUCT WITH VAPOR BARRIER, IN ACCORDANCE WITH RECOMMENDED INDUSTRY PRACTICE FOR LOW TEMPERATURE INSTALLATION
- OTHERS TO SEAL AIRTIGHT THE FIELD JOINT AT THE DIFFUSER WITH INDUSTRY APPROVAL DUCT SEALER

**FRAMES:**

- STYLE 1 - SURFACE MOUNT



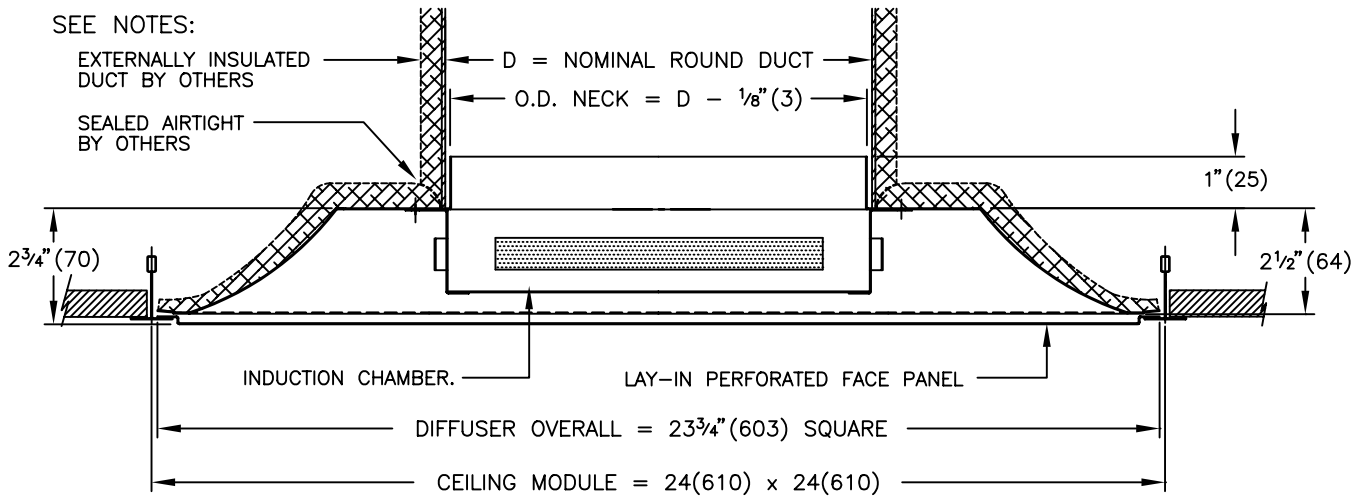
- STYLE 31 T-BAR



ALL METRIC DIMENSIONS ( ) ARE SOFT CONVERTED. IMPERIAL DIMENSIONS ARE CONVERTED TO METRIC AND ROUNDED TO THE NEAREST MILLIMETER.

<b>PROJECT:</b>		<b>PRICE</b> <sup>®</sup>	
<b>ENGINEER:</b>		<i>KL</i>	<b>SPDLT, ASPDLT</b> SQUARE PLAQUE DIFFUSER LOW TEMPERATURE AIR DISTRIBUTION 20" MODULE
<b>CUSTOMER:</b>		225186	
<b>SUBMITTAL DATE:</b>	<b>SPEC. SYMBOL:</b>	DEC 1999	

**PDLT, APDLT PERFORATED CEILING DIFFUSER LOW TEMPERATURE**



CEILING MODULE	NOMINAL ROUND DUCT			
24 X 24	4	6	8	10
(610) X (610)	(102)	(152)	(203)	(254)

**MATERIAL:**

- PDLT - STEEL CONSTRUCTION
- APDLT - ALUMINUM CONSTRUCTION

**FINISH:**

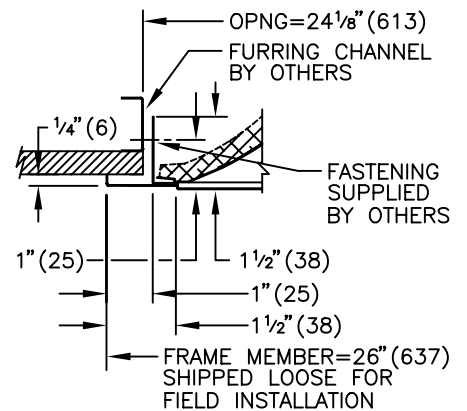
- B12 WHITE (OPTIONAL FINISHES AVAILABLE)

**NOTES:**

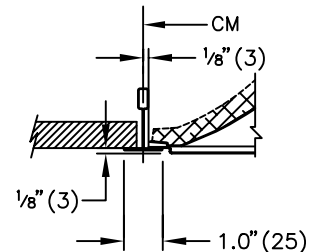
- BACK PAN EXTERNALLY INSULATED WITH 3/4" (19mm) DUAL DENSITY FIBREGLASS WITH FOIL FACE WHICH MEETS REQUIREMENTS OF NFPA 90A AND UL181
- INDUCTION CHAMBER INTERNALLY INSULATED WITH 1/2" (13) FIBREGLASS WITH FOIL FACE WHICH MEETS REQUIREMENTS OF NFPA 90A AND UL181
- INTERNAL PLAQUE FACE THERMALLY PROTECTED
- OTHERS TO PROVIDE EXTERNALLY INSULATED DUCT WITH VAPOR BARRIER, IN ACCORDANCE WITH RECOMMENDED INDUSTRY PRACTICE FOR LOW TEMPERATURE INSTALLATION
- OTHERS TO SEAL AIRTIGHT THE FIELD JOINT AT THE DIFFUSER WITH INDUSTRY APPROVAL DUCT SEALER

**FRAMES:**

- STYLE 1 - SURFACE MOUNT



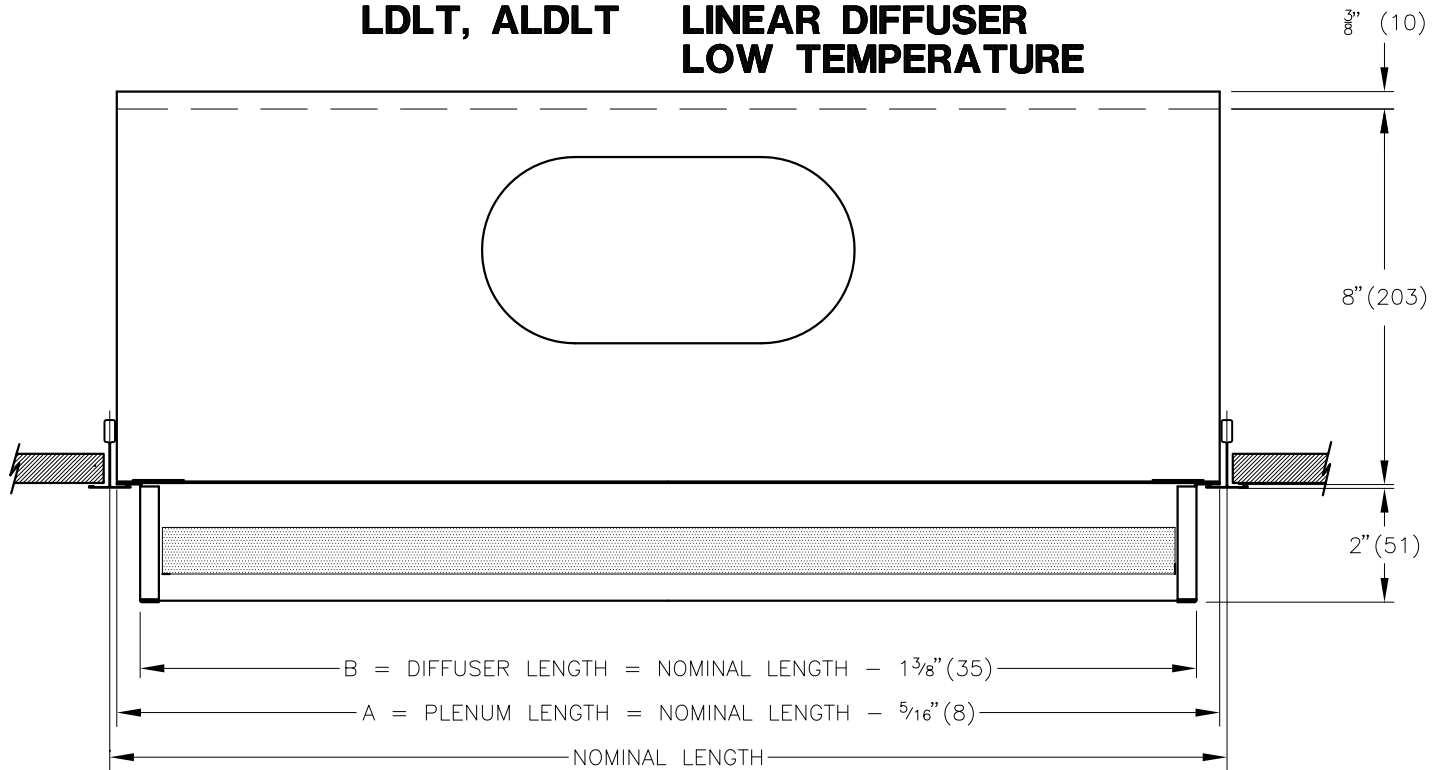
- STYLE 31 T-BAR



ALL METRIC DIMENSIONS ( ) ARE SOFT CONVERTED. IMPERIAL DIMENSIONS ARE CONVERTED TO METRIC AND ROUNDED TO THE NEAREST MILLIMETER.

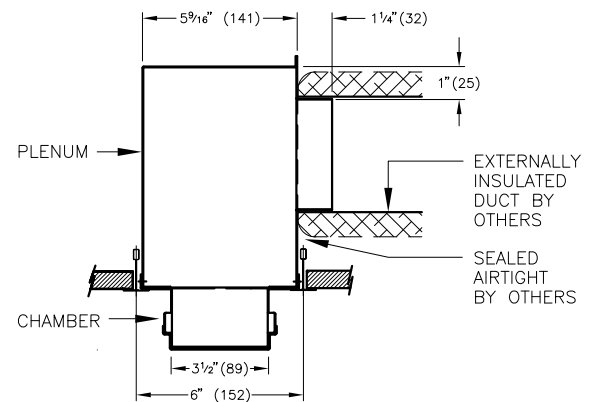
<b>PROJECT:</b>		<b>PRICE</b> <sup>®</sup>	
<b>ENGINEER:</b>			<b>PDLT, APDLT</b> PERFORATED DIFFUSER LOW TEMPERATURE AIR DISTRIBUTION
<b>CUSTOMER:</b>			
<b>SUBMITTAL DATE:</b>	<b>SPEC. SYMBOL:</b>	MAR. 2004	

**LDLT, ALDLT LINEAR DIFFUSER LOW TEMPERATURE**



NOM. LENGTH	A	B	INLETS
24" (610)	23 <sup>11</sup> / <sub>16</sub> " (602)	22 <sup>5</sup> / <sub>8</sub> " (575)	4, 6*, 8*
48" (1219)	47 <sup>11</sup> / <sub>16</sub> " (1211)	46 <sup>5</sup> / <sub>8</sub> " (1184)	6*, 8*, 10*

\* - INLET SUPPLIED AS 4" (102) FLAT OVAL  
 6" (152) = 4" x 7" (102x178)  
 8" (203) = 4" x 10<sup>1</sup>/<sub>8</sub>" (102x257)  
 10" (254) = 4" x 13<sup>1</sup>/<sub>4</sub>" (102x337)



**MATERIAL:**

**MODEL LDLT**

- PLENUM - COATED STEEL
- CHAMBER - STEEL CONSTRUCTION.

**MODEL ALDLT**

- PLENUM - COATED STEEL
- CHAMBER - ALUMINUM CONSTRUCTION.

**FINISH:**

**CHAMBER ONLY**

- B12 WHITE
- (OPTIONAL FINISHES AVAILABLE)

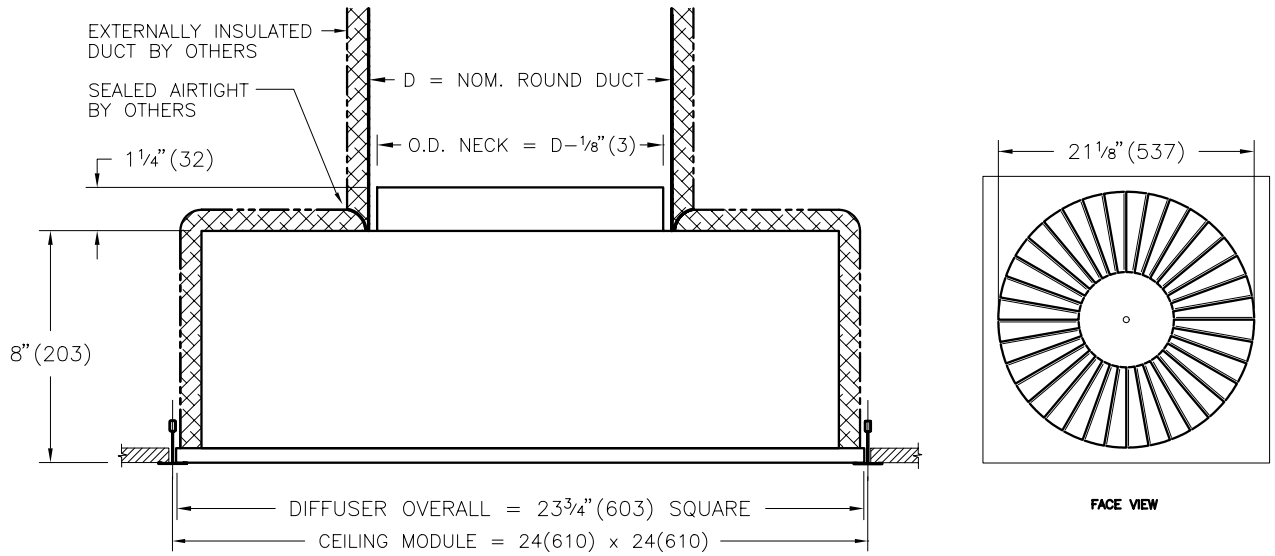
**NOTES:**

- PLENUM LINED WITH 3/4" (19) INSULATION
- CHAMBER INTERNALLY INSULATED WITH 1/2" (13) INSULATION
- AIR PATTERNS AVAILABLE:
  - 2W - 2 WAY AIR DISCHARGE
  - 1W-N - 1 WAY AIR DISCHARGE ON INLET SIDE
  - 1W-A - 1 WAY AIR DISCHARGE OPPOSITE INLET SIDE

ALL METRIC DIMENSIONS ( ) ARE SOFT CONVERTED. IMPERIAL DIMENSIONS ARE CONVERTED TO METRIC AND ROUNDED TO THE NEAREST MILLIMETER.

<b>PROJECT:</b>		<b>PRICE</b> <sup>®</sup>	
<b>ENGINEER:</b>			<b>LDLT, ALDLT</b> LINEAR DIFFUSER LOW TEMPERATURE AIR DISTRIBUTION
<b>CUSTOMER:</b>		225185	
<b>SUBMITTAL DATE:</b>	<b>SPEC. SYMBOL:</b>	2011/08/30	

**RVDLT RADIAL VANE DIFFUSER LOW TEMPERATURE**



CEILING MODULE	NOMINAL ROUND DUCT		
	24 x 24 (610) x (610)	6 (152)	8 (203)

**MATERIAL:**

**STANDARD:**

- RVDLT - PLENUM COATED STEEL CONSTRUCTION
- DIFFUSER FACE STEEL CONSTRUCTION

**OPTION:**

- RVDLT
  - PLENUM COATED STEEL
  - DIFFUSER FACE ALUMINUM
  - PLENUM COATED STEEL
  - DIFFUSER FACE STAINLESS STEEL

**FINISH:**

**DIFFUSER FACE (STEEL OR ALUMINUM):**

- B12 WHITE
- (OPTIONAL FINISHES AVAILABLE)

**DIFFUSER FACE (STAINLESS STEEL):**

- #4 POLISHED FINISH

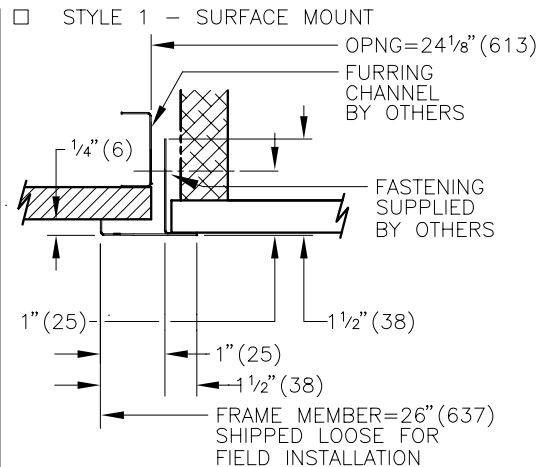
**PLENUM:**

- MILL FINISH

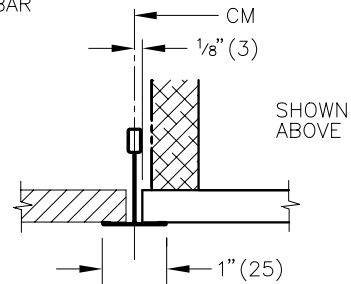
**NOTES:**

- PLENUM EXTERNALLY INSULATED WITH 3/4" (19mm) DUAL DENSITY FIBREGLASS WITH FOIL FACE WHICH MEETS REQUIREMENTS OF NFPA 90A AND UL181

**FRAMES:**



3 T-BAR



ALL METRIC DIMENSIONS ( ) ARE SOFT CONVERTED. IMPERIAL DIMENSIONS ARE CONVERTED TO METRIC AND ROUNDED TO THE NEAREST MILLIMETER.

<b>PROJECT:</b>		<b>PRICE</b> <sup>®</sup>	
<b>ENGINEER:</b>		<i>KL</i>	<b>RVDLT</b> RADIAL VANE DIFFUSER LOW TEMPERATURE AIR DISTRIBUTION
<b>CUSTOMER:</b>		225187	
<b>SUBMITTAL DATE:</b>	<b>SPEC. SYMBOL:</b>	MAY 97	