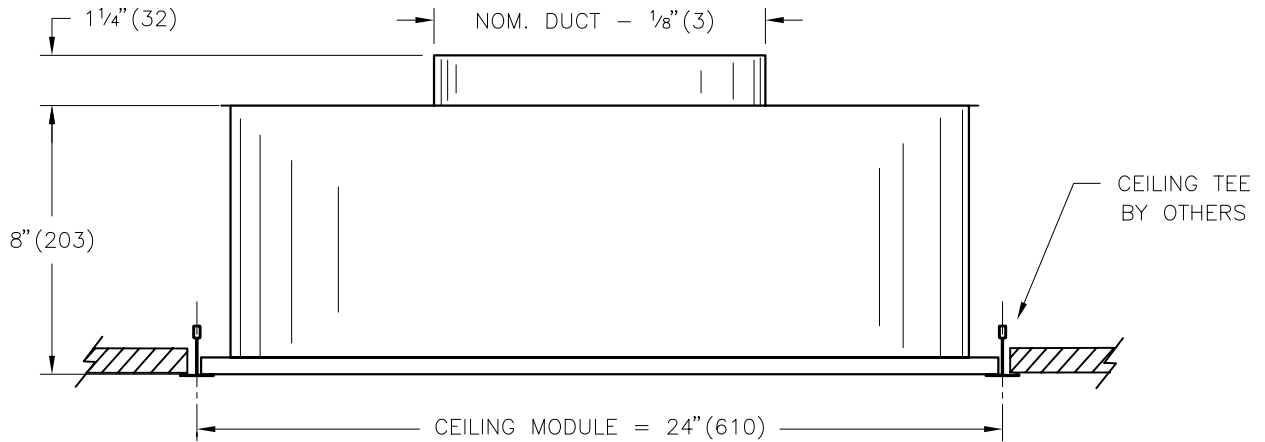


RVD RADIAL VANE DIFFUSER



CEILING MODULE	OVERALL DIFFUSER	ROUND DUCT SIZES					
24" X 24" (610) X (610)	23 3/4" X 23 3/4" (603) X (603)	6" (152)	8" (203)	10" (254)	12" (305)	14" (356)	16" (406)

NOTES:

- ROUND PLENUM

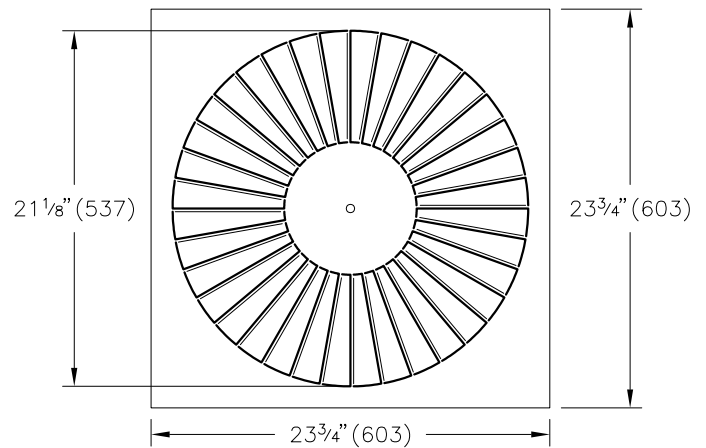
MATERIAL

- RVD: CRS FACE AND COATED STEEL PLENUM

FINISH


□ DIFFUSER FACE: B12 WHITE
(OPTIONAL FINISHES AVAILABLE)

- PLENUM: MILL FINISH

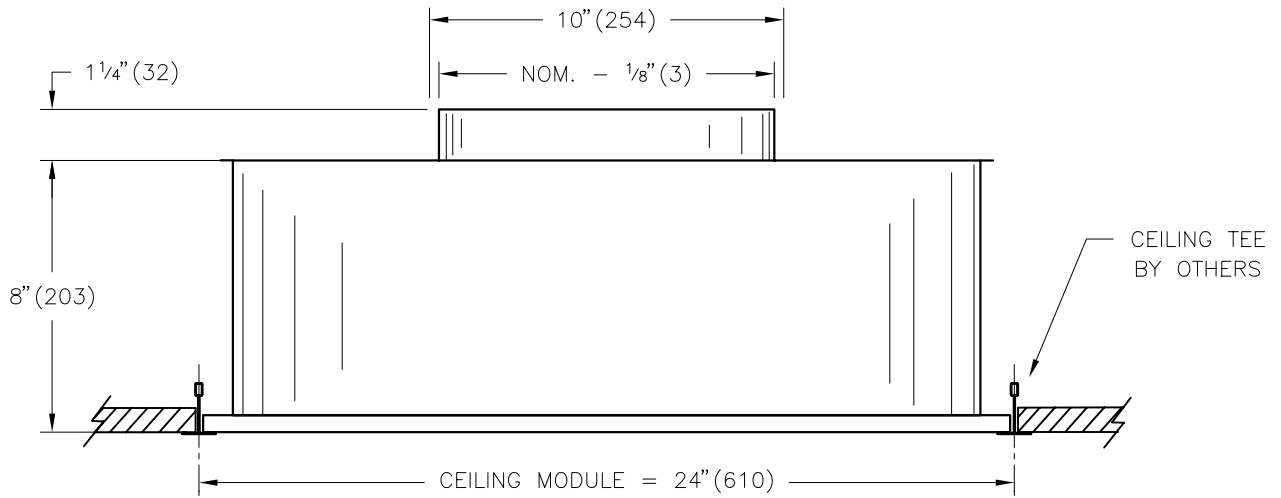


TO SUIT NOM. 24" X 24" CEILING GRID

ALL METRIC DIMENSIONS () ARE SOFT CONVERTED. IMPERIAL DIMENSIONS ARE CONVERTED TO METRIC AND ROUNDED TO THE NEAREST MILLIMETER.

PROJECT:		PRICE [®]	
ENGINEER:			RVD
CUSTOMER:			
SUBMITTAL DATE:	SPEC. SYMBOL:	OCT 2006	

RVDAL RADIAL VANE DIFFUSER



CEILING MODULE	OVERALL DIFFUSER	ROUND DUCT SIZES					
24" X 24" (610) X (610)	23 3/4" X 23 3/4" (603) X (603)	6" (152)	8" (203)	10" (254)	12" (305)	14" (356)	16" (406)

NOTES:

- ROUND PLENUM

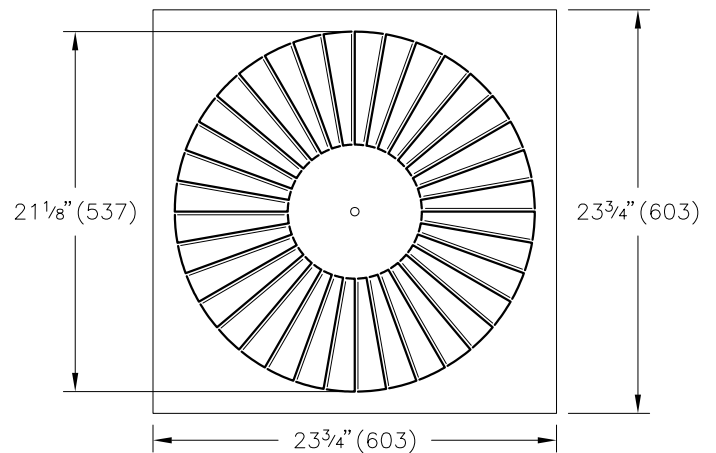
MATERIAL

- RVDAL: ALUMINUM FACE AND COATED STEEL PLENUM


FINISH

DIFFUSER FACE: B12 WHITE
(OPTIONAL FINISHES AVAILABLE)

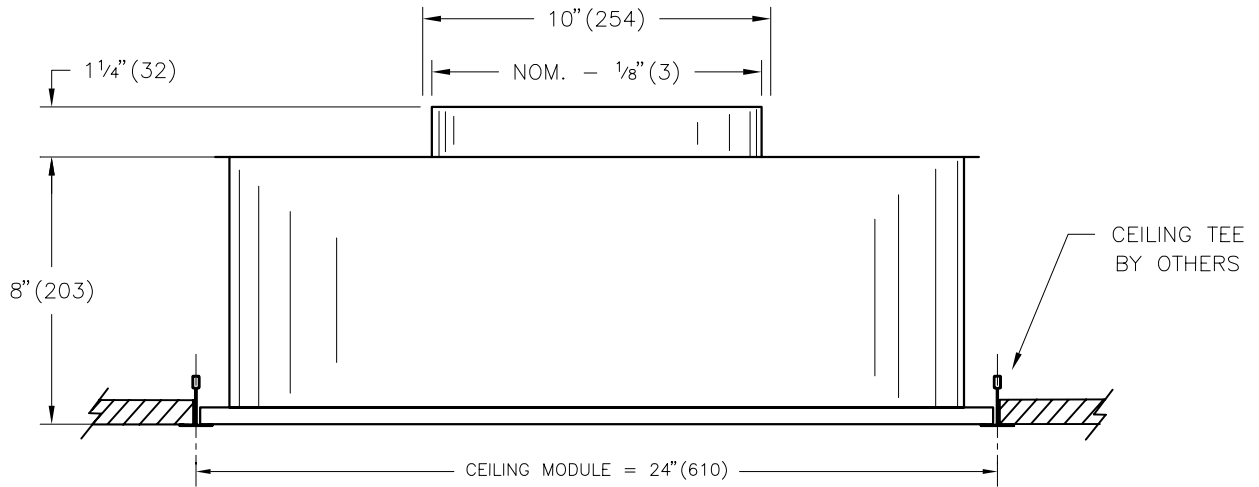
- PLENUM: MILL FINISH



ALL METRIC DIMENSIONS () ARE SOFT CONVERTED. IMPERIAL DIMENSIONS ARE CONVERTED TO METRIC AND ROUNDED TO THE NEAREST MILLIMETER.

PROJECT:		PRICE [®]	
ENGINEER:			RVDAL
CUSTOMER:		222382	RADIAL VANE DIFFUSER T BAR MOUNT SQUARE FACE
SUBMITTAL DATE:	SPEC. SYMBOL:	OCT 2006	

RVDSS RADIAL VANE DIFFUSER



CEILING MODULE	OVERALL DIFFUSER	ROUND DUCT SIZES					
24" X 24" (610) X (610)	23 3/4" X 23 3/4" (603) X (603)	6" (152)	8" (203)	10" (254)	12" (305)	14" (356)	16" (406)

NOTES:

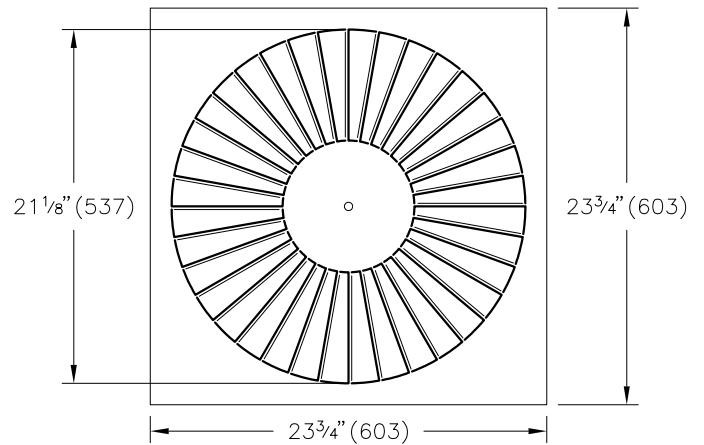
- RVDSS: ROUND PLENUM

MATERIAL

- RVDSS: STAINLESS STEEL FACE AND COATED STEEL PLENUM

FINISH

- DIFFUSER FACE: #4
- PLENUM: MILL FINISH

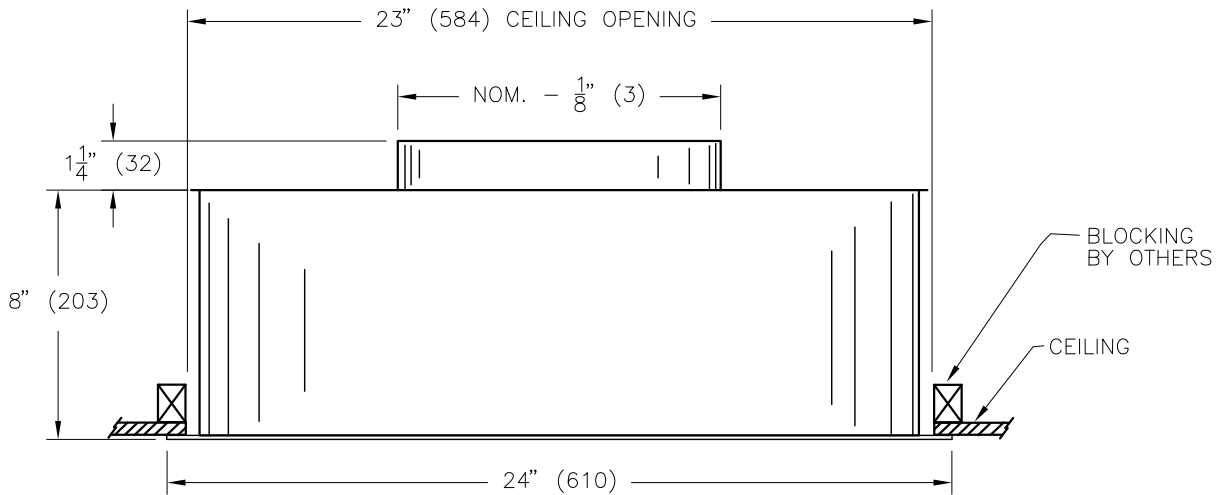


TO SUIT NOM. 24" X 24" CEILING GRID

ALL METRIC DIMENSIONS () ARE SOFT CONVERTED. IMPERIAL DIMENSIONS ARE CONVERTED TO METRIC AND ROUNDED TO THE NEAREST MILLIMETER.

PROJECT:		PRICE [®]	
ENGINEER:			RVDSS RADIAL VANE DIFFUSER T BAR MOUNT SQUARE FACE
CUSTOMER:		222381	
SUBMITTAL DATE:	SPEC. SYMBOL:	OCT2006	

RVD RADIAL VANE DIFFUSER



OVERALL DIFFUSER	ROUND INLET DUCT SIZES					
24" (610) DIAMETER	6" (152)	8" (203)	10" (254)	12" (305)	14" (356)	16" (406)

NOTES:

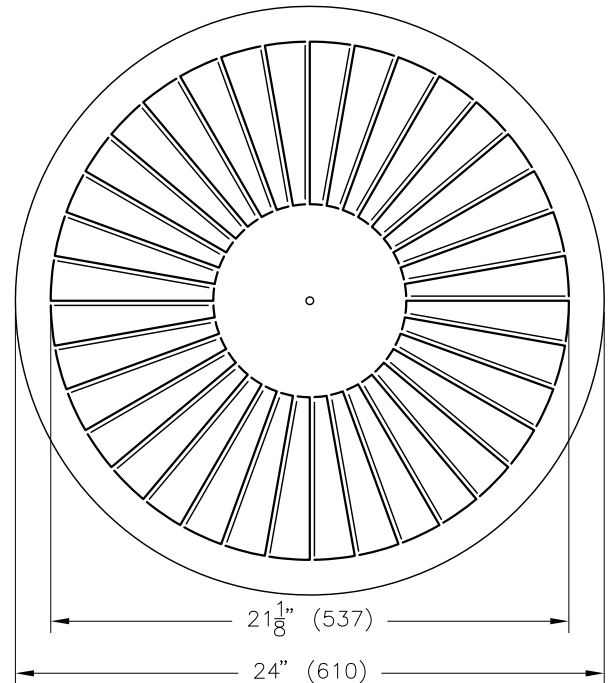
ALL MODELS SUPPLIED WITH ROUND PLENUM.

MATERIAL

- CRS FACE AND COATED STEEL PLENUM

FINISH

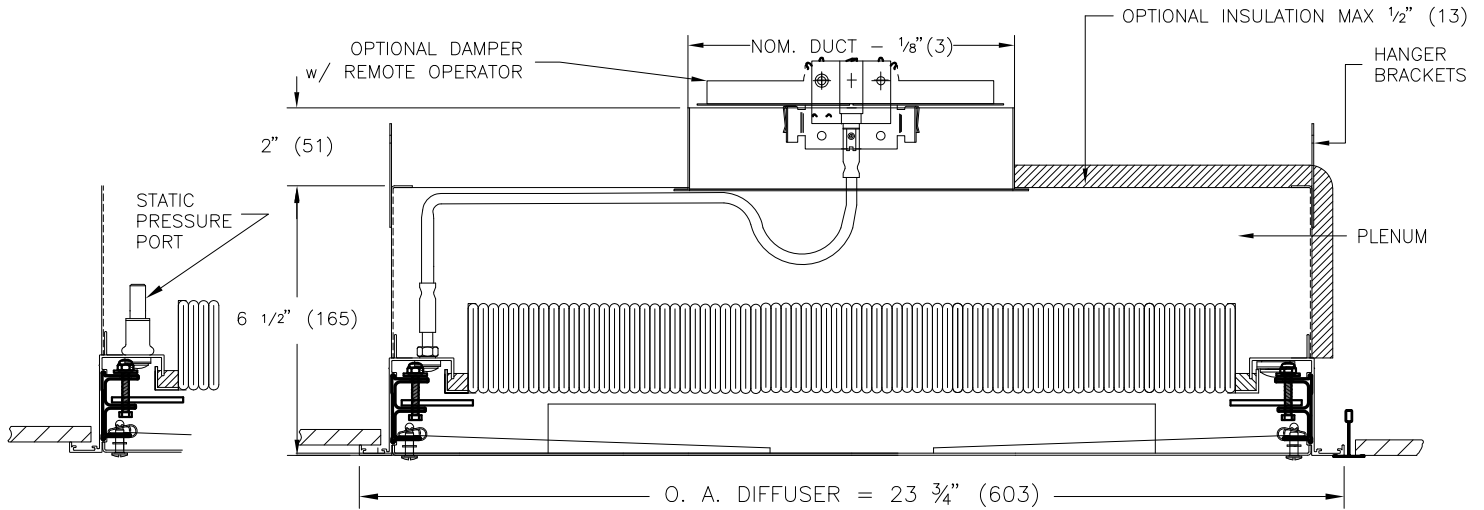
- DIFFUSER FACE: B12 WHITE
(OPTIONAL FINISHES AVAILABLE)
- PLENUM: MILL FINISH



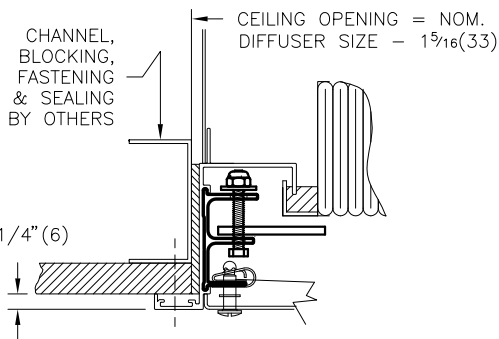
ALL METRIC DIMENSIONS () ARE SOFT CONVERTED. IMPERIAL DIMENSIONS ARE CONVERTED TO METRIC AND ROUNDED TO THE NEAREST MILLIMETER.

PROJECT:		PRICE [®]	
ENGINEER:			RVD RADIAL VANE DIFFUSER SURFACE MOUNT ROUND FACE
CUSTOMER:			
SUBMITTAL DATE:	SPEC. SYMBOL:	2010/02/16	

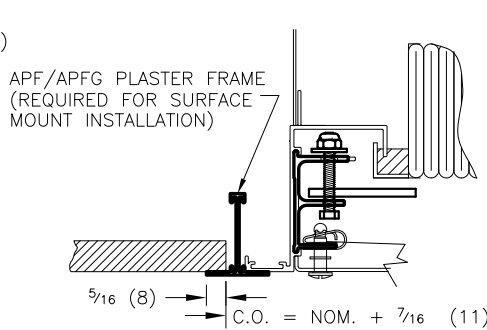
MODEL RVDC RADIAL VANE DIFFUSER WITH HIGH EFFICIENCY FILTER



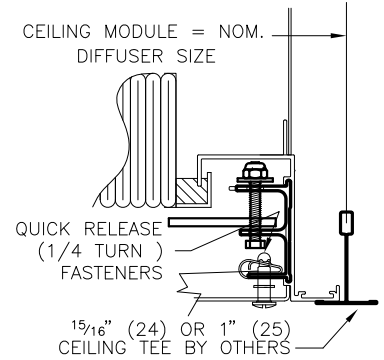
SURFACE MOUNT DETAIL (UNINSULATED PLENUMS ONLY)



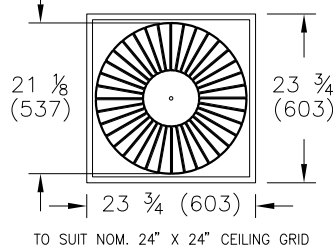
SURFACE MOUNT DETAIL (INSULATED PLENUMS)



T-BAR



PLAN VIEW:



FILTER SELECTION:

- HE: 95% (.3 MICRON)
- HEPA: 99.99% (.3 MICRON)
- ULPA: 99.999% (.12 MICRON)

FILTER AREA:

2.037 SQ. FT.

MATERIAL:

RADIAL VANE FACE, FRAME AND PLENUM: ALUMINUM
 OPTIONAL DAMPER: COLD ROLLED STEEL

FINISH:

RADIAL VANE FACE, FRAME AND PLENUM: B12 WHITE POWDER COAT
 OPTIONAL DAMPER: B12 WHITE POWDER COAT

OPTIONS:

- AFI: ALUMINUM FOIL-BACKED INSULATION (FOR SURFACE MOUNT; SELECT ONE OF THE OPTIONS BELOW)
 - APF PLASTER FRAME
 - APFG PLASTER FRAME W/ GASKET
- VCR8E: FULL FLOW DAMPER

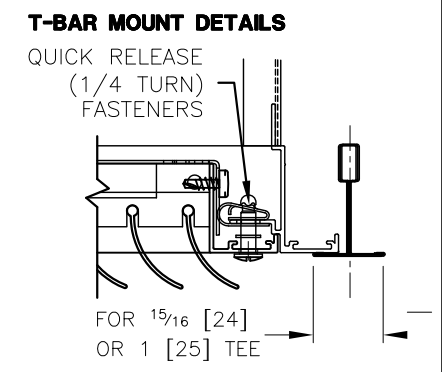
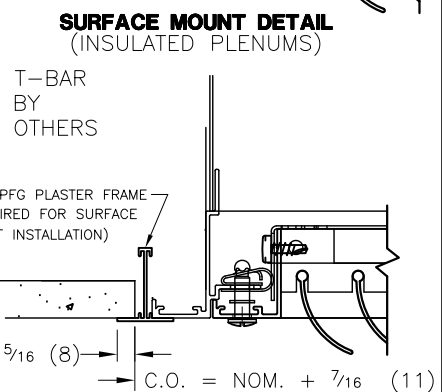
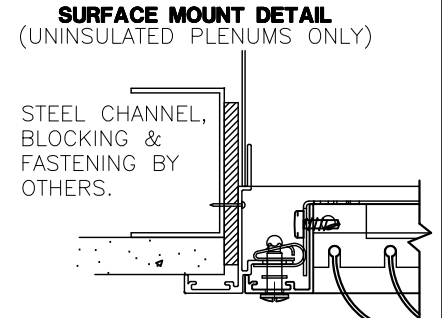
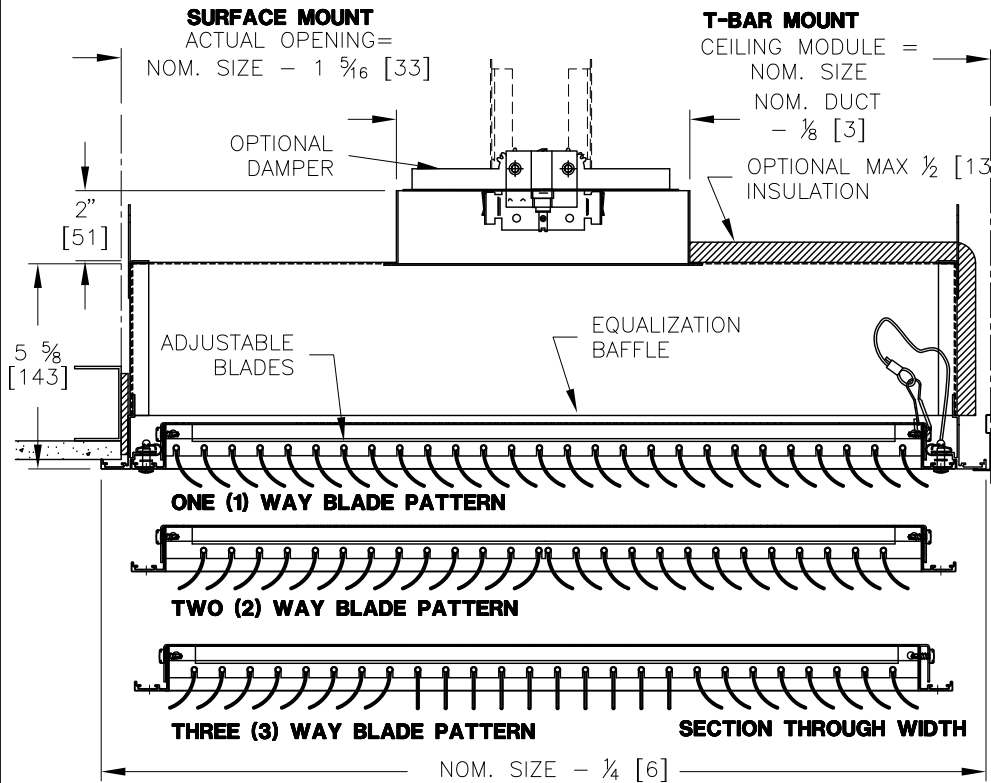
NOTES:

- OPTIONAL DAMPER REMOTELY OPERATED FROM ROOM SIDE OF FILTER.
- FILTER PACKAGED SEPARATELY FROM FILTER HOUSING FOR JOB SITE INSTALLATION BY OTHERS.
- PLENUM FACTORY DOP SCANNED FOR LEAKS USING METHODS CORRESPONDING TO IES STANDARD IES-RP-CC001.3
- PLENUM SEALED WITH ACRYLIC LATEX BASE W/ SILICONE ADDITIVE
- STATIC PRESSURE PORT USED TO MEASURE PRESSURE DROP ACROSS FILTER OR TO SAMPLE AEROSOL CONCENTRATIONS BEFORE FILTER WHEN TESTING FILTER FOR LEAKS.
- TWO COATED STEEL SAFETY CABLES PER UNIT
- FACTORY TOLERANCE: ± 1/32" (1)

ALL METRIC DIMENSIONS () ARE SOFT CONVERTED. IMPERIAL DIMENSIONS ARE CONVERTED TO METRIC AND ROUNDED TO THE NEAREST MILLIMETER.

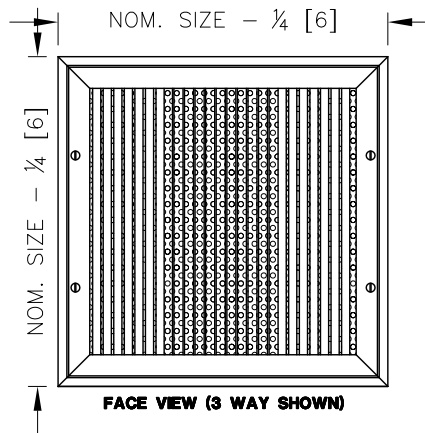
PROJECT:		PRICE®	
ENGINEER:			RVDC
CUSTOMER:		225393	RADIAL VANE DIFFUSER C/W HIGH EFFICIENCY FILTER
SUBMITTAL DATE:	SPEC. SYMBOL:	2011/09/08	

RAVD RADIAL ADJUSTABLE VANE DIFFUSER



NOMINAL SIZE

IMPERIAL (METRIC)	
DUCT	L x W
8 (204)	48X12 (1219X305)
8 (204)	24X24 (610X610)
10 (254)	24X24 (610X610)
10 (254)	48X24 (1219X610)
12 (305)	48X24 (1219X610)



NOTE:

- TWO COATED STEEL SAFETY CABLES PER UNIT
- FACTORY TOLERANCE ± 1/32" (1)

DIFFUSER:

STANDARD MATERIAL

- EQUALIZATION BAFFLE - STEEL.
- PLENUM - STEEL.
- DIFFUSER FRAMES - ALUMINUM.
- QUICK RELEASE [1/4 TURN] FASTENERS - PLATED STEEL.
- ADJUSTABLE BLADES - ALUMINUM.

FINISH

- DIFFUSER - B12 WHITE POWDER COAT

OPTIONS:

- AFI: ALUMINUM FOIL- BACKED INSULATION (FOR SURFACE MOUNT; SELECT ONE OF THE OPTIONS BELOW)
- APF PLASTER FRAME APFG PLASTER FRAME W/ GASKET
- DAMPER: VCR8E
 - DAMPER BLADES - COATED STEEL
 - DAMPER OPERATOR - NICKEL PLATED FINISH
 - B12 WHITE POWDER COAT

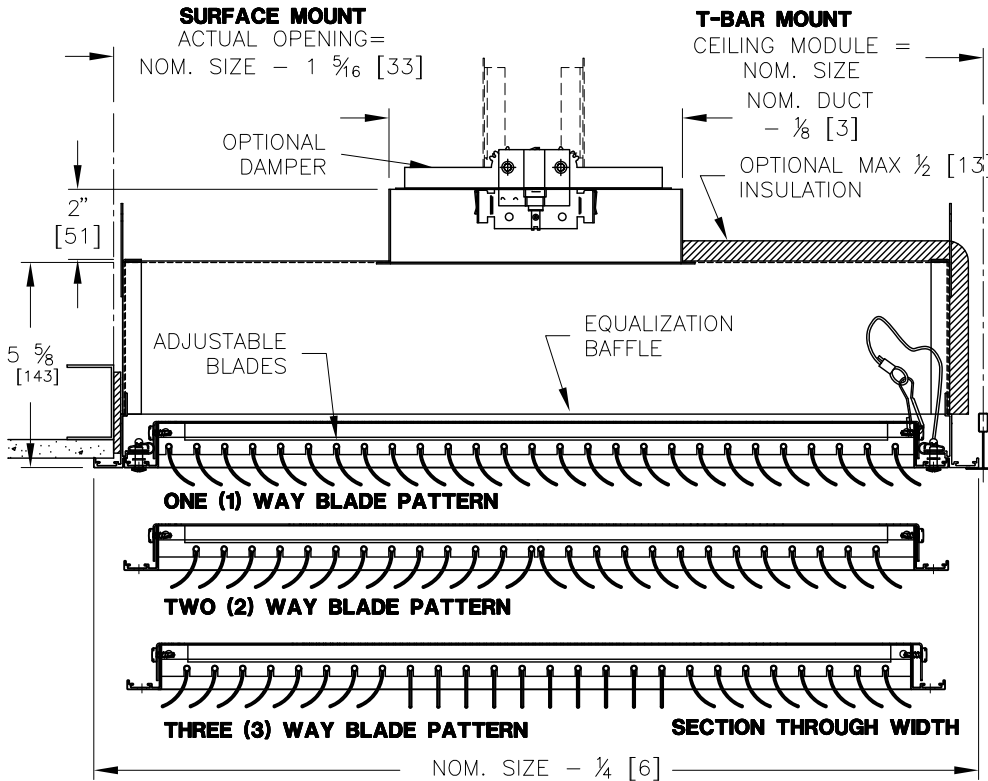
BLOW PATTERN:

- ONE (1) WAY (HALF RADIAL OR HORIZONTAL)
- TWO (2) WAY (HORIZONTAL) NOTE: 48 X 12 NOT AVAILABLE IN TWO WAY
- THREE (3) WAY (FULL RADIAL) NOTE: 48 X 12 NOT AVAILABLE IN THREE WAY

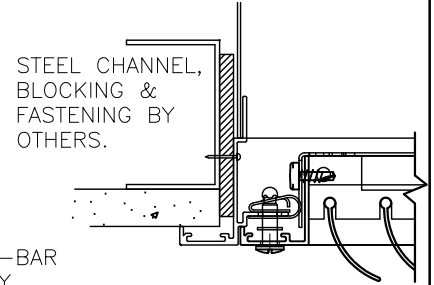
ALL METRIC DIMENSIONS () ARE SOFT CONVERTED. IMPERIAL DIMENSIONS ARE CONVERTED TO METRIC AND ROUNDED TO THE NEAREST MILLIMETER.

PROJECT:		PRICE®	
ENGINEER:			
CUSTOMER:		240237	RAVD RADIAL ADJUSTABLE VANE DIFFUSER
SUBMITTAL DATE:	SPEC. SYMBOL:	2010/11/29	

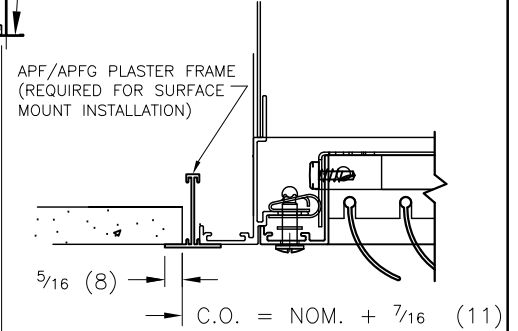
ARAVD RADIAL ADJUSTABLE VANE DIFFUSER



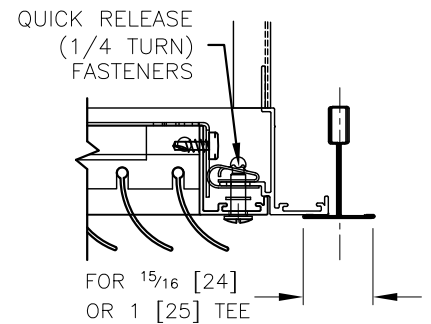
SURFACE MOUNT DETAIL (UNINSULATED PLENUMS ONLY)



SURFACE MOUNT DETAIL (INSULATED PLENUMS)

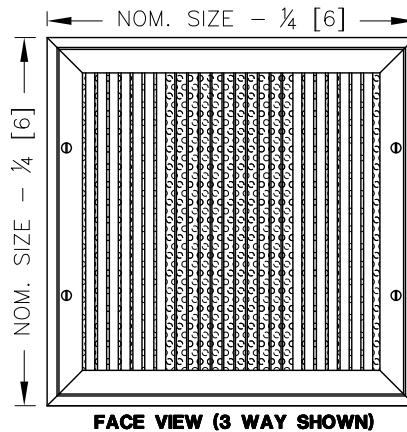


T-BAR MOUNT DETAILS



NOMINAL SIZE

IMPERIAL (METRIC)	
DUCT	L x W
8 (204)	48X12 (1219X305)
8 (204)	24X24 (610X610)
10 (254)	24X24 (610X610)
10 (254)	48X24 (1219X610)
12 (305)	48X24 (1219X610)



FACE VIEW (3 WAY SHOWN)

NOTE:

- TWO COATED STEEL SAFETY CABLES PER UNIT
- FACTORY TOLERANCE $\pm 1/32"$ (1)

DIFFUSER:

STANDARD MATERIAL

- EQUALIZATION BAFFLE - ALUMINUM.
- PLENUM - ALUMINUM.
- DIFFUSER FRAMES - ALUMINUM.
- QUICK RELEASE [1/4 TURN] FASTENERS - PLATED STEEL.
- ADJUSTABLE BLADES - ALUMINUM.

FINISH

- DIFFUSER - B12 WHITE POWDER COAT

OPTIONS:

- AFI: ALUMINUM FOIL- BACKED INSULATION (FOR SURFACE MOUNT; SELECT ONE OF THE OPTIONS BELOW)
- APF PLASTER FRAME APFG PLASTER FRAME W/ GASKET
- DAMPER: VCR8E
 - DAMPER BLADES - COATED STEEL
 - DAMPER OPERATOR - NICKEL PLATED FINISH
 - B12 WHITE POWDER COAT

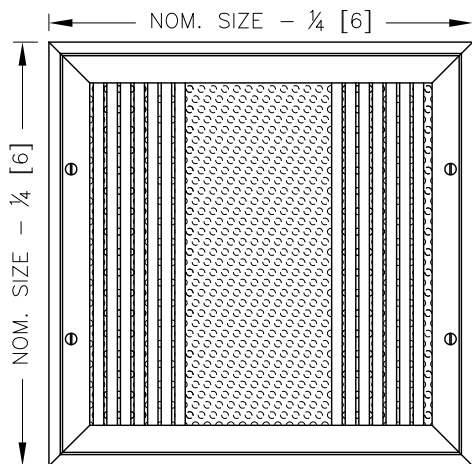
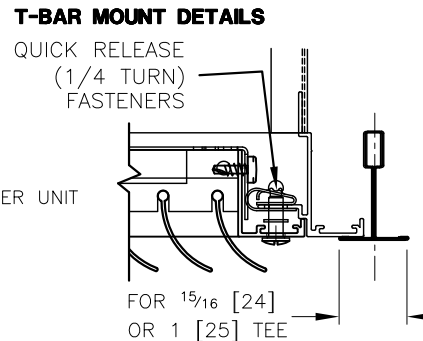
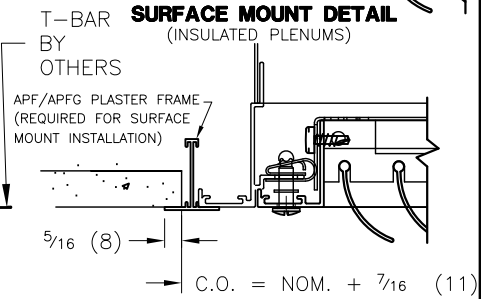
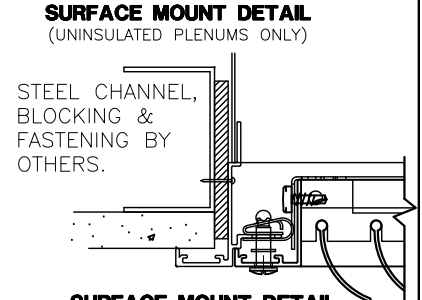
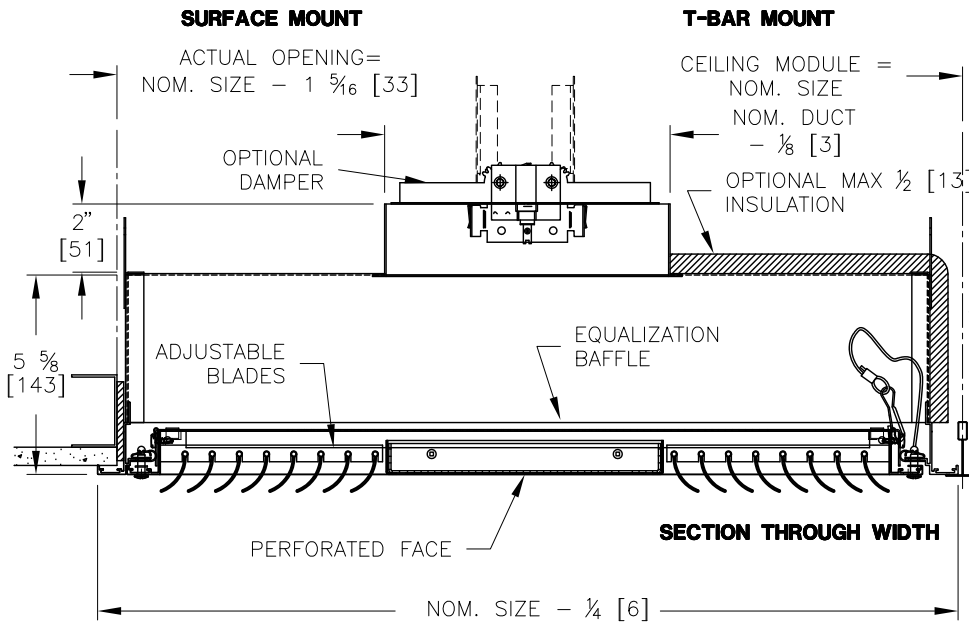
BLOW PATTERN:

- ONE (1) WAY (HALF RADIAL OR HORIZONTAL)
- TWO (2) WAY (HORIZONTAL) NOTE: 48 X 12 NOT AVAILABLE IN TWO WAY
- THREE (3) WAY (FULL RADIAL) NOTE: 48 X 12 NOT AVAILABLE IN THREE WAY

ALL METRIC DIMENSIONS () ARE SOFT CONVERTED. IMPERIAL DIMENSIONS ARE CONVERTED TO METRIC AND ROUNDED TO THE NEAREST MILLIMETER.

PROJECT:		PRICE®	
ENGINEER:			ARAVD RADIAL ADJUSTABLE VANE DIFFUSER
CUSTOMER:		240238	
SUBMITTAL DATE:	SPEC. SYMBOL:	2010/11/29	

RAVDP RADIAL ADJUSTABLE VANE DIFFUSER



FACE VIEW (3 WAY SHOWN)

NOTE:

- TWO COATED STEEL SAFETY CABLES PER UNIT
- FACTORY TOLERANCE $\pm 1/32$ " (1)

DIFFUSER:

STANDARD MATERIAL

- EQUALIZATION BAFFLE - STEEL.
- PLENUM - STEEL.
- DIFFUSER FRAMES - ALUMINUM.
- QUICK RELEASE [1/4 TURN] FASTENERS - PLATED STEEL.
- ADJUSTABLE BLADES - ALUMINUM.
- PERFORATED FACE - ALUMINUM.

FINISH

- DIFFUSER - B12 WHITE POWDER COAT

OPTIONAL DAMPER:

- VCR8E
- DAMPER BLADES - COATED STEEL
- DAMPER OPERATOR - NICKEL PLATED FINISH
- B12 WHITE POWDER COAT

OPTIONS:

- AFI: ALUMINUM FOIL- BACKED INSULATION (FOR SURFACE MOUNT; SELECT ONE OF THE OPTIONS BELOW)
- APF PLASTER FRAME APFG PLASTER FRAME W/ GASKET

BLOW PATTERN:

- THREE (3) WAY (FULL RADIAL)

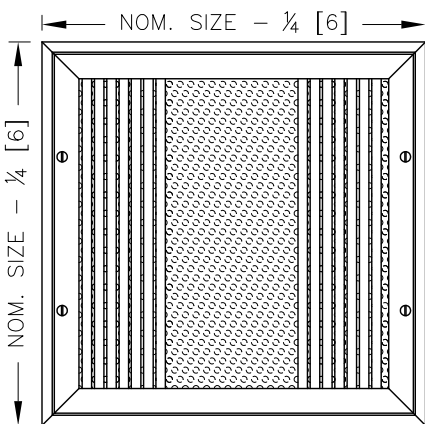
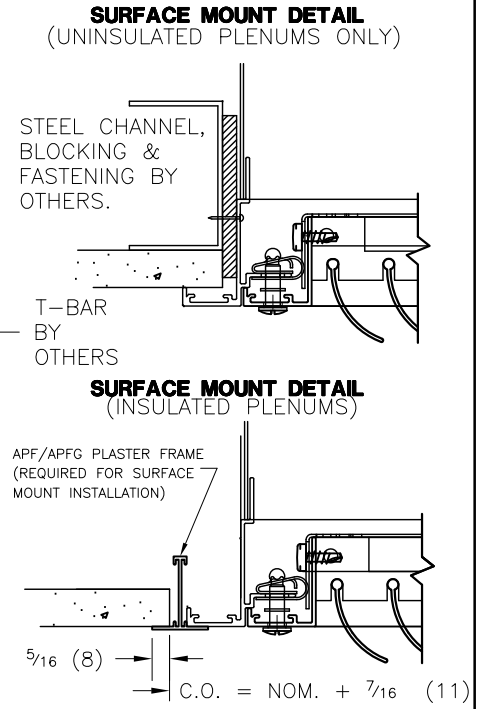
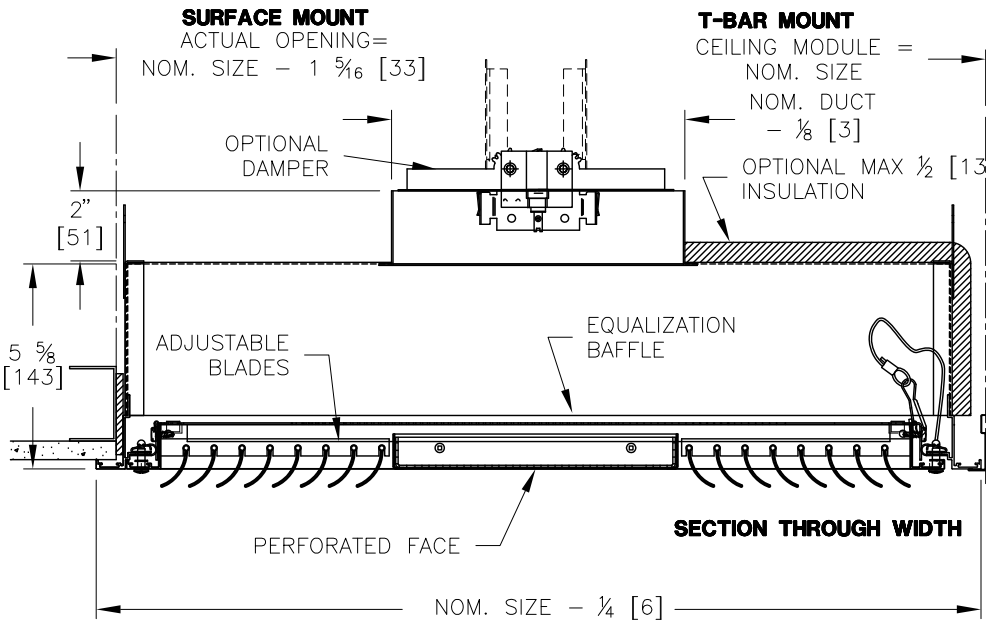
NOMINAL SIZE

IMPERIAL (METRIC)	
DUCT	L x W
8 (204)	24X24 (610X610)
10 (254)	24X24 (610X610)
10 (254)	48X24 (1219X610)
12 (305)	48X24 (1219X610)

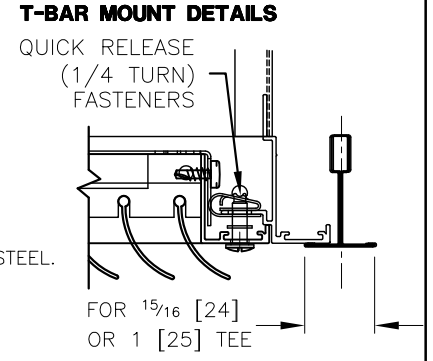
ALL METRIC DIMENSIONS () ARE SOFT CONVERTED. IMPERIAL DIMENSIONS ARE CONVERTED TO METRIC AND ROUNDED TO THE NEAREST MILLIMETER.

PROJECT:		price®	
ENGINEER:			RAVDP PERFORATED FACE RADIAL ADJUSTABLE VANE DIFFUSER
CUSTOMER:		240239	
SUBMITTAL DATE:	SPEC. SYMBOL:	2010/11/29	

ARAVDP RADIAL ADJUSTABLE VANE DIFFUSER



- NOTE:**
- TWO COATED STEEL SAFETY CABLES PER UNIT
 - FACTORY TOLERANCE $\pm 1/32"$ (1)
- DIFFUSER:**
- STANDARD MATERIAL**
- EQUALIZATION BAFFLE - ALUMINUM.
 - PLENUM - ALUMINUM.
 - DIFFUSER FRAMES - ALUMINUM.
 - QUICK RELEASE [1/4 TURN] FASTENERS - PLATED STEEL.
 - ADJUSTABLE BLADES - ALUMINUM.
 - PERFORATED FACE - ALUMINUM.
- FINISH**
- DIFFUSER - B12 WHITE POWDER COAT





- OPTIONAL DAMPER:**
- VCR8E
 - DAMPER BLADES - COATED STEEL
 - DAMPER OPERATOR - NICKEL PLATED FINISH
 - B12 WHITE POWDER COAT
- OPTIONS:**
- AFI: ALUMINUM FOIL- BACKED INSULATION (FOR SURFACE MOUNT; SELECT ONE OF THE OPTIONS BELOW)
 - APF PLASTER FRAME APFG PLASTER FRAME W/ GASKET
- BLOW PATTERN:**
- THREE (3) WAY (FULL RADIAL)

NOMINAL SIZE

IMPERIAL (METRIC)	
DUCT	L x W
8 (204)	24X24 (610X610)
10 (254)	24X24 (610X610)
10 (254)	48X24 (1219X610)
12 (305)	48X24 (1219X610)

ALL METRIC DIMENSIONS () ARE SOFT CONVERTED. IMPERIAL DIMENSIONS ARE CONVERTED TO METRIC AND ROUNDED TO THE NEAREST MILLIMETER.

PROJECT:		
ENGINEER:		
CUSTOMER:		 240240
SUBMITTAL DATE:	SPEC. SYMBOL:	2010/11/29 ARAVDP PERFORATED FACE RADIAL ADJUSTABLE VANE DIFFUSER