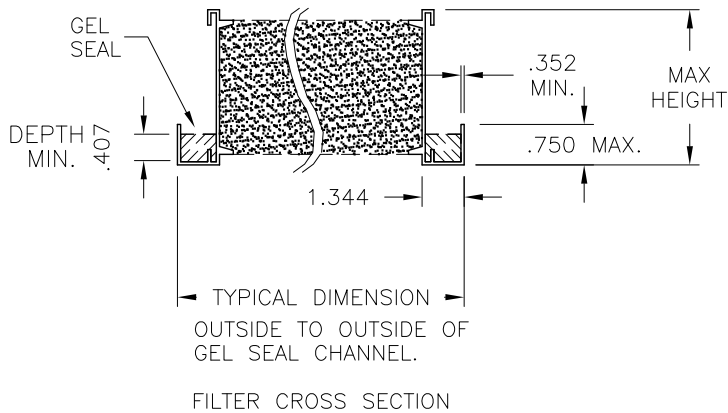
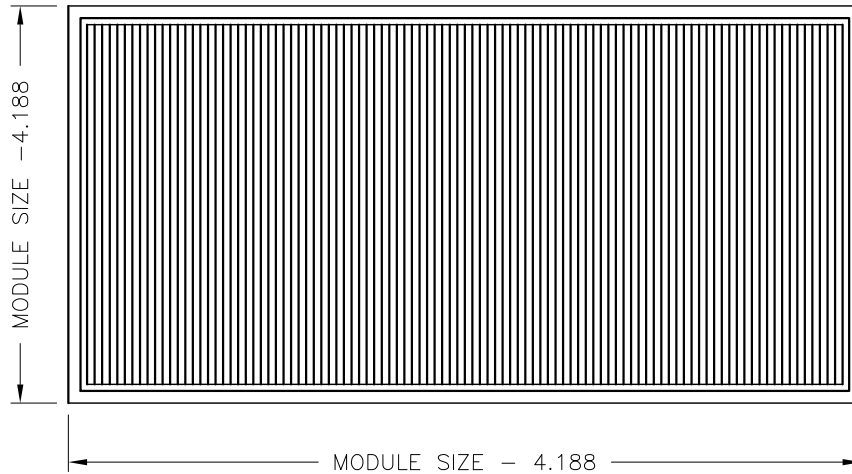


FTR REPLACEMENT FILTERS



Filter Part # (Nominal Filter Size)

LFDC / LFDCSS AFRDC / FRFDCSS RFDC AMDC RVDC		FFU / FFUSS		
		STD Motor	ECM Motor	MAX FILTER HEIGHT
24" X 24"	MAX FILTER HEIGHT	24" X 24"		4"
HE = 042294-007 HEPA = 042294-008 ULPA = 042294-009		HEPA = 042310-002 ULPA = 042310-001	HEPA = 042310-002 ULPA = 042310-001	
24" X 36"		24" X 36"		
HE = 042294-019 HEPA = 042294-020 ULPA = 042294-021	3 1/6"	HEPA = 042294-020 ULPA = 042294-021	HEPA = 042294-020 ULPA = 042294-021	3 1/6"
24" X 42"		24" X 42"		
HE = 042294-022 HEPA = 042294-023		HEPA = 042294-023 ULPA = 042294-024	HEPA = 042294-023 ULPA = 042294-024	
24" X 48"	3 1/6"	24" X 48"		3 1/6"
HE = 042294-001 HEPA = 042294-002 ULPA = 042294-003		HEPA = 042294-002 ULPA = 042310-003	HEPA = 042294-002 ULPA = 042294-003	
12" X 48"				
HEPA = 042296-001				

NOTES:

- FILTER PLEATS SHALL RUN PARALLEL TO THE SHORT (WIDTH) DIMENSION.
- DIMENSIONS A & B TOLERANCES +0.000/-0.125
- FILTERS WITH GEL SEAL FILLED CHANNEL.
- FRAME MATERIAL - ANODIZED EXTRUDED ALUMINUM
- MINIMUM THICKNESS .063"
- FILTERS ARE UL 900 CLASS 1 CERTIFIED

ALL METRIC DIMENSIONS () ARE SOFT CONVERTED. IMPERIAL DIMENSIONS ARE CONVERTED TO METRIC AND ROUNDED TO THE NEAREST MILLIMETER.

PROJECT:		PRICE [®]	
ENGINEER:		Ds	FTR REPLACEMENT FILTERS
CUSTOMER:		250379	
SUBMITTAL DATE:	SPEC. SYMBOL:	2009/07/01	