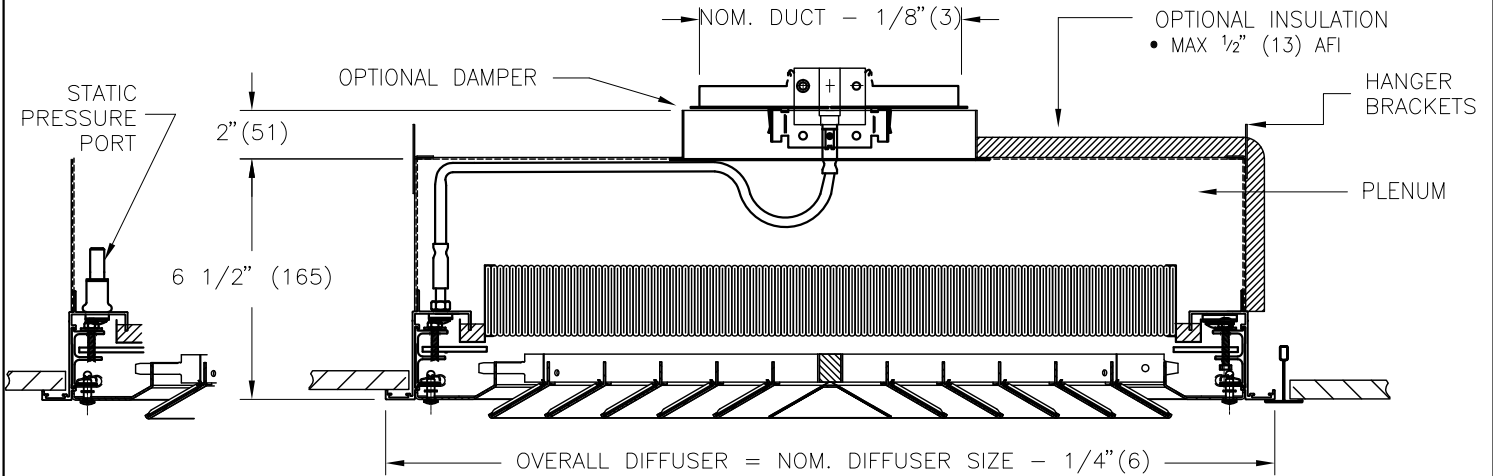
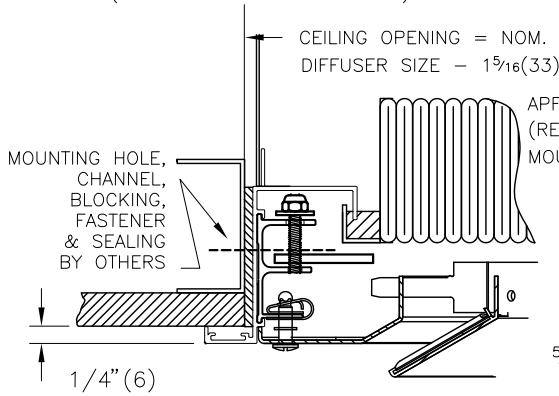


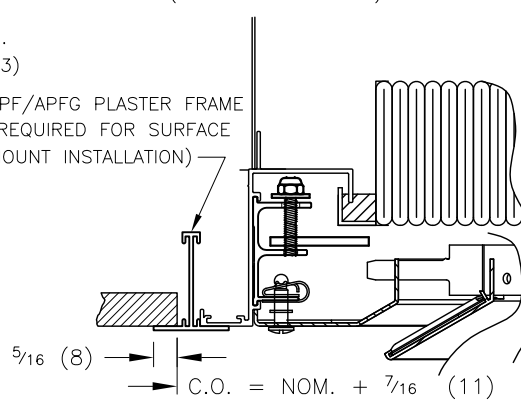
AMDC LOUVERED FACE DIRECTIONAL DIFFUSER WITH HIGH EFFICIENCY FILTER



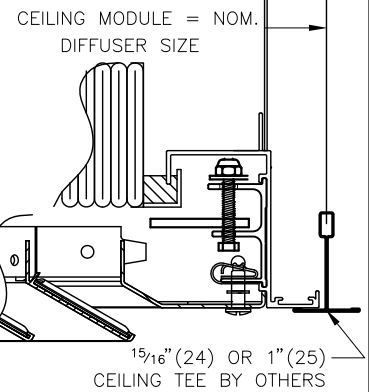
SURFACE MOUNT DETAIL (UNINSULATED PLENUMS ONLY)



SURFACE MOUNT DETAIL (INSULATED PLENUMS)



T-BAR



CEILING MODULE	OVERALL DIFFUSER	DUCT	AVAILABLE CORE STYLES	FILTER AREA
24" X 24" (610 X 610)	23 ³ / ₄ " X 23 ³ / ₄ " (603 X 603)	10" (254)	□4A	2,037 SQ. FT.
24" X 48" (610 X 1219)	23 ³ / ₄ " X 47 ³ / ₄ " (306 X 1213)	12" (305)	□4B	4,890 SQ. FT.

MATERIAL

- LOUVERED FACE: EXTRUDED ALUMINUM
- PLENUM: ALUMINUM CONSTRUCTION
- OPTIONAL DAMPER: COLD ROLLED STEEL

FINISH

- LOUVERED FACE AND FILTER HOUSING: B12 WHITE POWDER COAT
- OPTIONAL DAMPER: B12 WHITE POWDER COAT

OPTIONS

- AFI: ALUMINUM FOIL-BACKED INSULATION (FOR SURFACE MOUNT; SELECT ONE OF THE OPTIONS BELOW)
- APF PLASTER FRAME APFG PLASTER FRAME W/ GASKET
- VCRBEC: FULL FLOW DAMPER C/W CABLE OPERATOR

FILTER SELECTION

- HE: 95% (.3 MICRON)
- HEPA: 99.99% (.3 MICRON)
- ULPA: 99.999% (.12 MICRON)

NOTES

- OPTIONAL DAMPER REMOTELY OPERATED FROM ROOM SIDE OF FILTER.
- FILTER PACKAGED SEPARATELY FROM FILTER HOUSING FOR JOB SITE INSTALLATION (BY OTHERS).
- PLENUM FACTORY DOP SCANNED FOR LEAKS USING METHODS CORRESPONDING TO IES STANDARD IES-RP-CC001.3
- PLENUM SEALED WITH ACRYLIC LATEX BASE W/ SILICONE ADDITIVE
- STATIC PRESSURE PORT USED TO MEASURE PRESSURE DROP ACROSS FILTER OR TO SAMPLE AEROSOL CONCENTRATIONS BEFORE FILTER WHEN TESTING FILTER FOR LEAKS.
- FOUR SECURITY BRACKETS ON 24"X48" SIZE ONLY
- TWO COATED STEEL SAFETY CABLES PER UNIT
- FACTORY TOLERANCE: ± 1/32" (1)

ALL METRIC DIMENSIONS () ARE SOFT CONVERTED. IMPERIAL DIMENSIONS ARE CONVERTED TO METRIC AND ROUNDED TO THE NEAREST MILLIMETER.

PROJECT:		
ENGINEER:		
CUSTOMER:		AMDC LOUVERED FACE DIRECTIONAL DIFFUSER C/W HIGH EFFICIENCY FILTER
SUBMITTAL DATE:	SPEC. SYMBOL:	
		222373
		2010/11/29