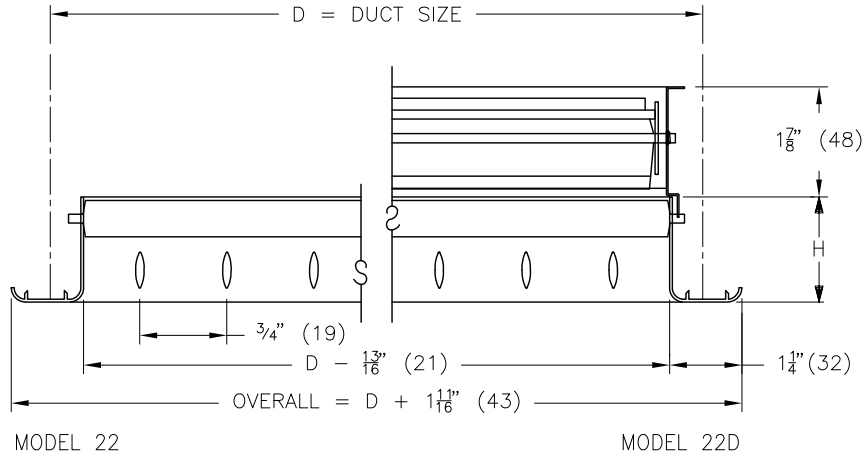
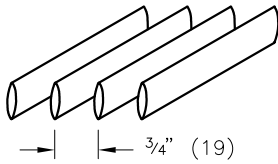


21, 22 SUPPLY GRILLES & REGISTERS

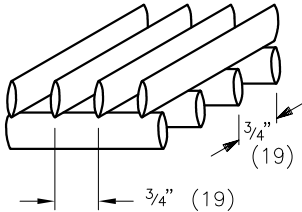


CORE STYLES:

21 SINGLE DEFLECTION

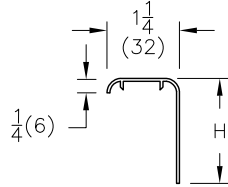


22 DOUBLE DEFLECTION



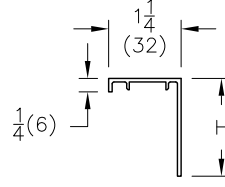
BORDERS:

C CURVED FACE



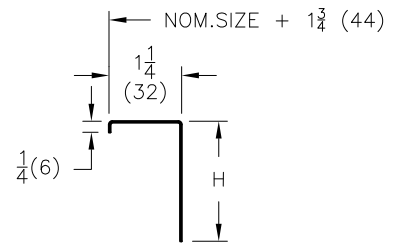
- H=1⁵/₁₆" (33) STYLE 21
- H=1³/₁₆" (46) STYLE 22

F FLAT FACE



- H=1¹/₄" (32) STYLE 21
- H=2" (51) STYLE 22

SF - STEEL FRAME



- H=1⁵/₁₆" (33) STYLE 21
- H=2¹/₁₆" (53) STYLE 22

NOTES:

- STANDARD CONSTRUCTION WITH A MULLION: A MULLION IS PROVIDED WHEN NOMINAL SIZE GRILLE DIMENSIONS EXCEED 20" (508).
- LOUVER BLADES - INDIVIDUALLY ADJUSTABLE.
- TYPE A FASTENING - COUNTERSUNK SCREW HOLES FOR NO.8 S.M.S. PER FACTORY STANDARD. (SCREWS SUPPLIED)
- AVAILABLE SIZE:
MINIMUM - 6" X 4" (152x101)
MAXIMUM - 36 X 96 (914X2438)-24" SQ.FT.
MAXIMUM - 48 X 48 (1219x1219) WITH SF FRAME
- OVERSIZED UNITS AVAILABLE c/w DUCT MOUNTING CHANNEL.
- BLADE ORIENTATION - FRONT SET
- L = PARALLEL TO LONG DIMENSION.
- S = PARALLEL TO SHORT DIMENSION.

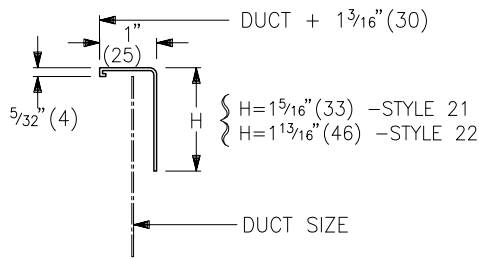
ALL METRIC DIMENSIONS () ARE SOFT CONVERTED. IMPERIAL DIMENSIONS ARE CONVERTED TO METRIC AND ROUNDED TO THE NEAREST MILLIMETER.

PROJECT:		PRICE [®]	
ENGINEER:		<i>RV</i>	21, 22 ALUMINUM SUPPLY GRILLES & REGISTERS
CUSTOMER:		222000	
SUBMITTAL DATE:	SPEC. SYMBOL:	2009/12/03	

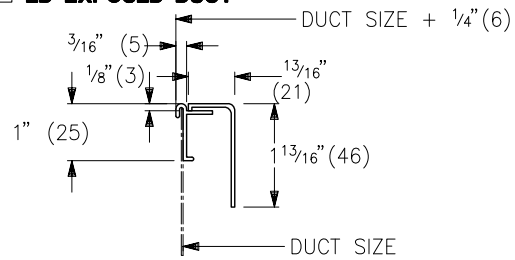
21, 22 SERIES MOUNTING OPTIONS AND BORDERS

BORDERS

N - NARROW MARGIN



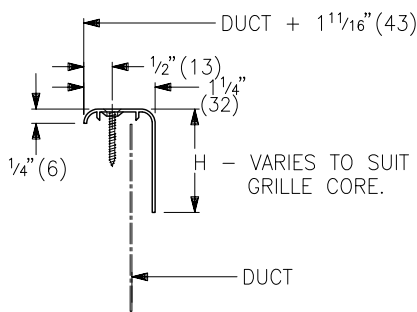
ED EXPOSED DUCT



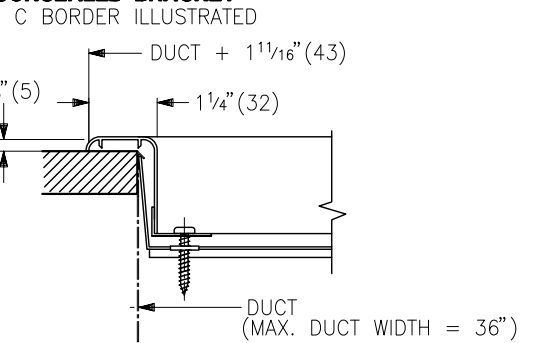
ED APPLICATION IS SUPPLIED COMPLETE WITH BORDER AND DUCT MOUNTING FRAME

FASTENING

A - COUNTER SUNK SCREW

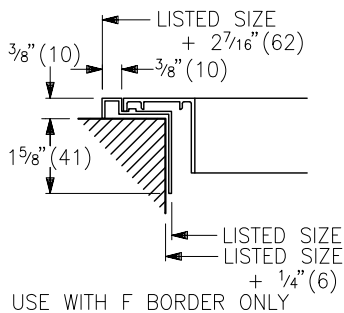


C - CONCEALED BRACKET

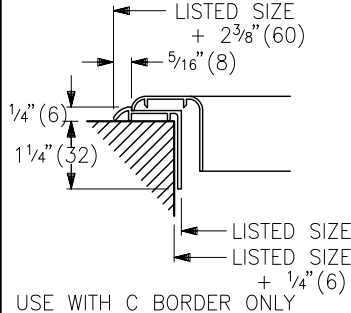


MOUNTING FRAMES

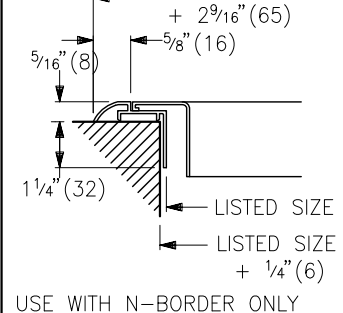
D



K



T



ALL METRIC DIMENSIONS () ARE SOFT CONVERTED. IMPERIAL DIMENSIONS ARE CONVERTED TO METRIC AND ROUNDED TO THE NEAREST MILLIMETER.

PROJECT:



ENGINEER:



21,22 SERIES

CUSTOMER:

222000

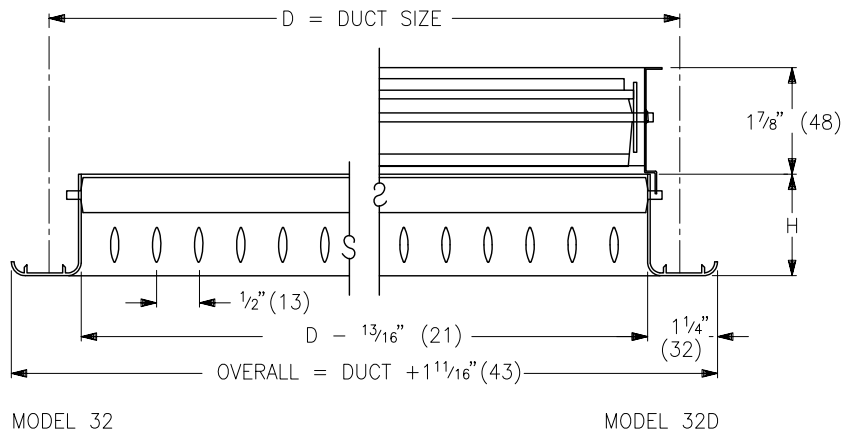
MOUNTING OPTIONS AND BORDERS

SUBMITTAL DATE:

SPEC. SYMBOL:

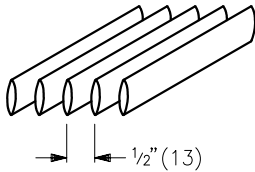
2009/12/03

31,32 SUPPLY GRILLES & REGISTERS

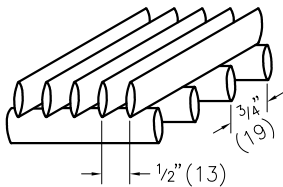


CORE STYLES:

31 SINGLE DEFLECTION

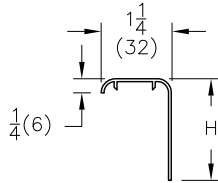


32 DOUBLE DEFLECTION



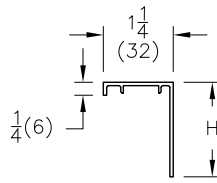
BORDERS:

C CURVED FACE



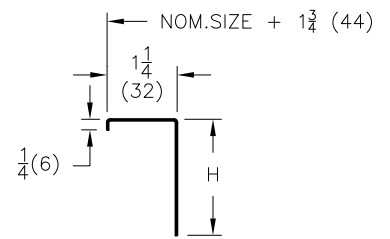
- H=1⁵/₁₆" (33) - STYLE 31
- H=1³/₁₆" (46) - STYLE 32

F FLAT FACE



- H=1¹/₄" (32) - STYLE 31
- H=2" (51) - STYLE 32

SF - STEEL FRAME



- H=1⁵/₁₆" (33) STYLE 31
- H=2¹/₁₆" (53) STYLE 32

FINISH:

- B12 WHITE (OPTIONAL FINISHES AVAILABLE)

MATERIAL:

- ALUMINUM CONSTRUCTION

OPTIONS:

- FOR OPTIONAL MOUNTING OR BORDERS REFER TO SHEET 2
- c/w STEEL OPPOSED BLADE DAMPER B17 BLACK FINISH (SPECIFY 31D OR 32D)

NOTES:

- STANDARD CONSTRUCTION WITH A MULLION: A MULLION IS PROVIDED WHEN NOMINAL SIZE GRILLE DIMENSIONS EXCEED 20" (508).
- LOUVER BLADES - INDIVIDUALLY ADJUSTABLE.
- TYPE A FASTENING - COUNTERSUNK SCREW HOLES FOR NO.8 S.M.S. PER FACTORY STANDARD. (SCREWS SUPPLIED)
- AVAILABLE SIZES: MINIMUM - 6" X 4" (152x101) MAXIMUM - 36" X 96" (914x2438) - 24" SQ. FT. MAXIMUM - 48" X 48" (1219x1219) WITH SF FRAME
- OVERSIZED UNITS AVAILABLE c/w DUCT MOUNTING CHANNEL.
- BLADE ORIENTATION - FRONT SET
 - L = PARALLEL TO LONG DIMENSION.
 - S = PARALLEL TO SHORT DIMENSION.

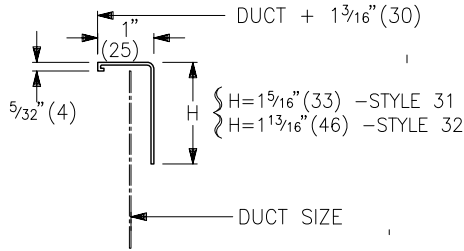
ALL METRIC DIMENSIONS () ARE SOFT CONVERTED. IMPERIAL DIMENSIONS ARE CONVERTED TO METRIC AND ROUNDED TO THE NEAREST MILLIMETER.

PROJECT:		PRICE [®]	
ENGINEER:			31, 32 ALUMINUM SUPPLY GRILLES & REGISTERS
CUSTOMER:		222001	
SUBMITTAL DATE:	SPEC. SYMBOL:	2009/04/24	

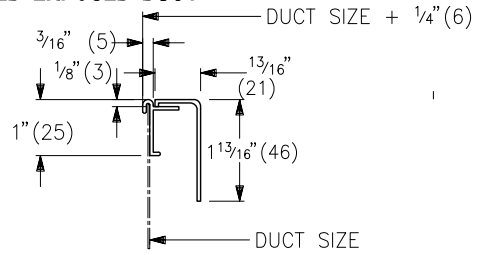
31,32 SERIES MOUNTING OPTIONS AND BORDERS

BORDERS

N - NARROW MARGIN



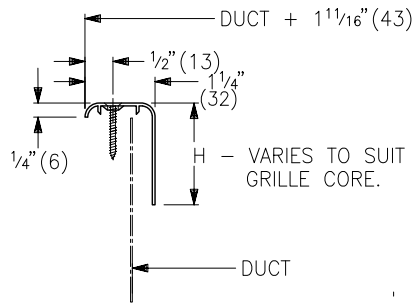
ED EXPOSED DUCT



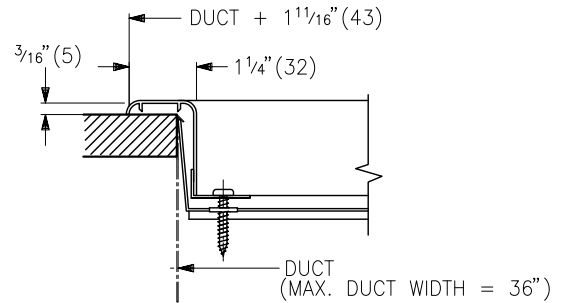
ED APPLICATION IS SUPPLIED COMPLETE WITH BORDER AND DUCT MOUNTING FRAME

FASTENING

A - COUNTER SUNK SCREW

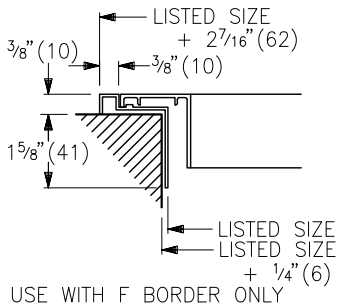


C - CONCEALED BRACKET
C BORDER ILLUSTRATED

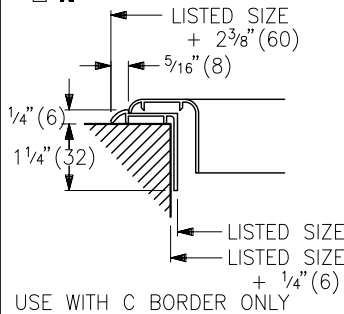


MOUNTING FRAMES

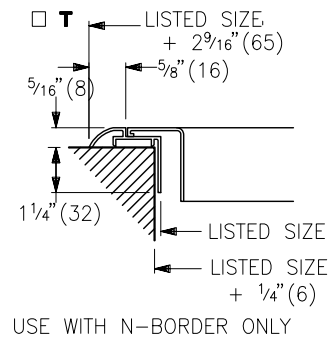
D



K



T



ALL METRIC DIMENSIONS () ARE SOFT CONVERTED. IMPERIAL DIMENSIONS ARE CONVERTED TO METRIC AND ROUNDED TO THE NEAREST MILLIMETER.

PROJECT:

ENGINEER:

CUSTOMER:

SUBMITTAL DATE:

SPEC. SYMBOL:



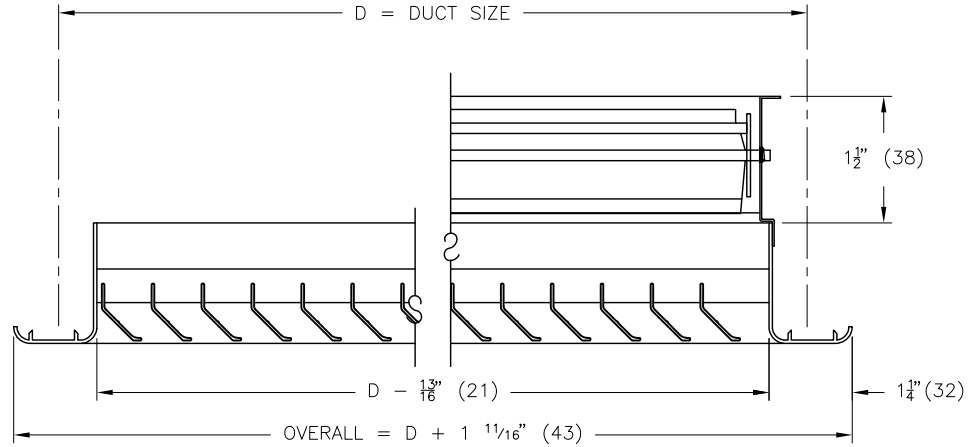
31, 32 SERIES

222001

MOUNTING OPTIONS
AND BORDERS

2009/04/24

60,70 SERIES RETURN AIR GRILLES & REGISTERS



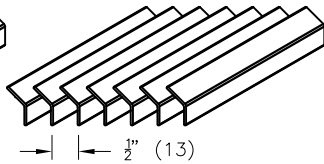
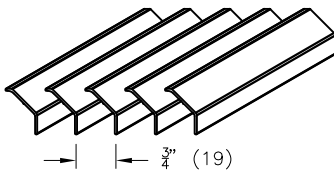
MODEL 60

MODEL 60D

-CORE STYLES-

60

70

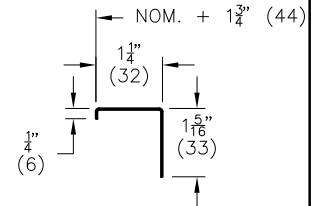
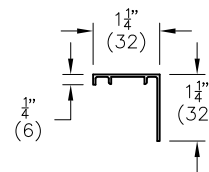
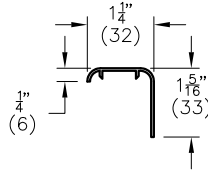


-BORDERS-

C CURVED FACE

F FLAT FACE

SF STEEL FRAME



FINISH:

- B12 WHITE (OPTIONAL FINISHES AVAILABLE)

OPTIONS:

- FOR OPTIONAL MOUNTING OR BORDERS REFER TO SHEET 2.
- C/W STEEL OPPOSED BLADE DAMPER B17 BLACK FINISH (SPECIFY 60D OR 70D).
- C/W ALUMINUM OPPOSED BLADE DAMPER MILL FINISH (SPECIFY 60DAL OR 70DAL).

MATERIAL:

- ALUMINUM CONSTRUCTION

NOTES:

- TYPE A FASTENING—COUNTERSUNK SCREW HOLES FOR NO.8 S.M.S. PER FACTORY STANDARD (SCREWS SUPPLIED).
- AVAILABLE SIZES:
MIN. 6" x 4" (152x102)
MAX. 36" x 96" (914x2438)
MAX. 48" x 48" (1219x1219) WITH SF FRAME
- OVERSIZED UNITS AVAILABLE c/w DUCT MOUNTING CHANNEL.
- BLADE ORIENTATION:
- L = PARALLEL TO LONG DIMENSION.
- S = PARALLEL TO SHORT DIMENSION.

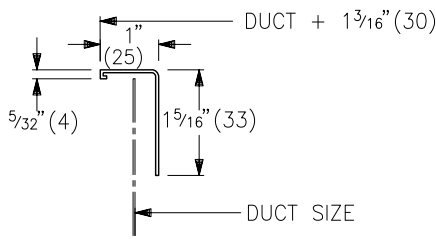
ALL METRIC DIMENSIONS () ARE SOFT CONVERTED. IMPERIAL DIMENSIONS ARE CONVERTED TO METRIC AND ROUNDED TO THE NEAREST MILLIMETER.

PROJECT:		PRICE [®]	
ENGINEER:		<i>RV</i>	60,70 SERIES
CUSTOMER:		203509	RETURN AIR GRILLES
SUBMITTAL DATE:	SPEC. SYMBOL:	2010/05/17	REV D

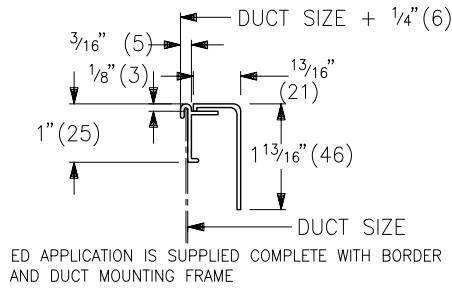
60,70 SERIES MOUNTING OPTIONS AND BORDERS

BORDERS

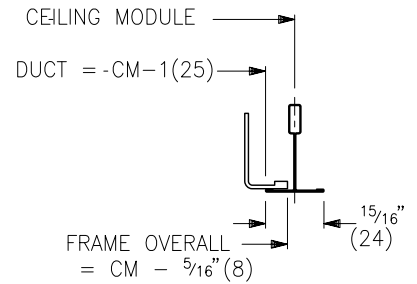
N - NARROW MARGIN



ED EXPOSED DUCT

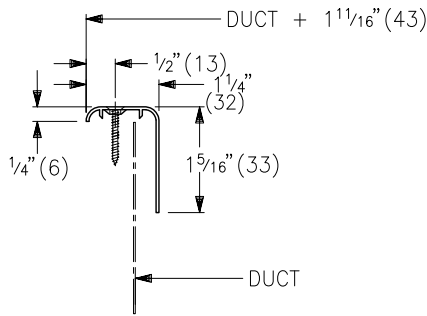


TB LAYIN T-BAR

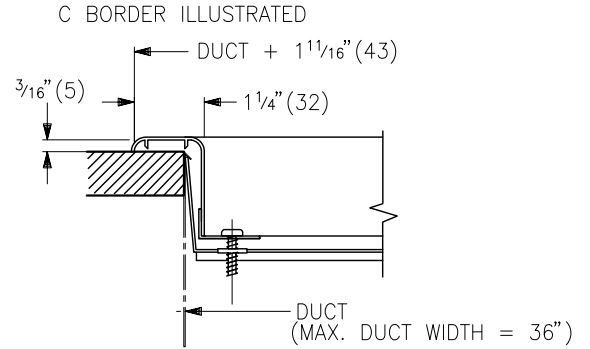


FASTENING

A - COUNTER SUNK SCREW

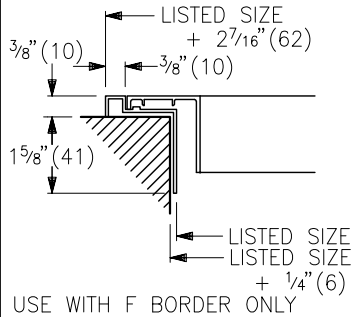


C - CONCEALED BRACKET

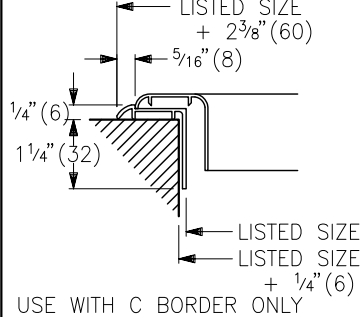


MOUNTING FRAMES

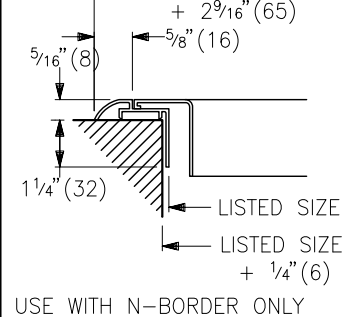
D



K



T



ALL METRIC DIMENSIONS () ARE SOFT CONVERTED. IMPERIAL DIMENSIONS ARE CONVERTED TO METRIC AND ROUNDED TO THE NEAREST MILLIMETER.

PROJECT:



ENGINEER:



60,70 SERIES

CUSTOMER:

203509

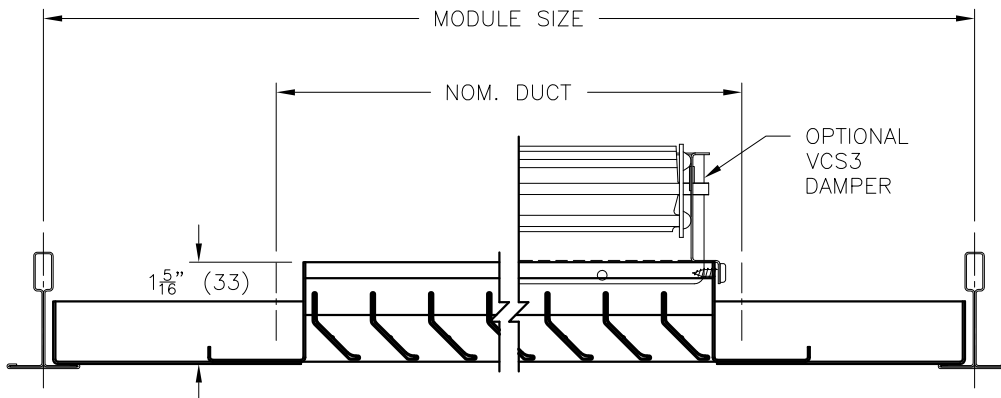
MOUNTING OPTIONS AND BORDERS

SUBMITTAL DATE:

SPEC. SYMBOL:

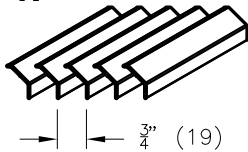
2010/05/17

PANEL MOUNTED 60 & 70 SERIES RETURN AIR GRILLES

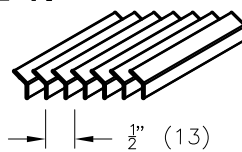


CORE STYLES:

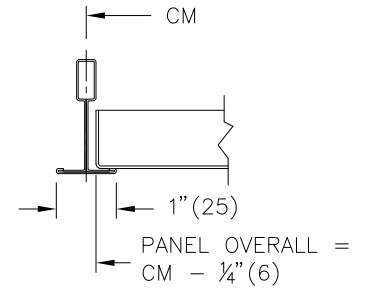
60



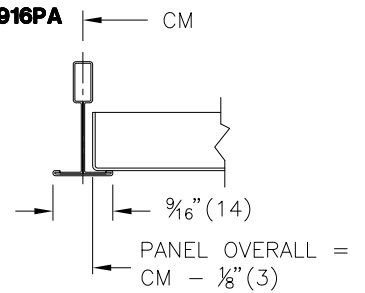
70



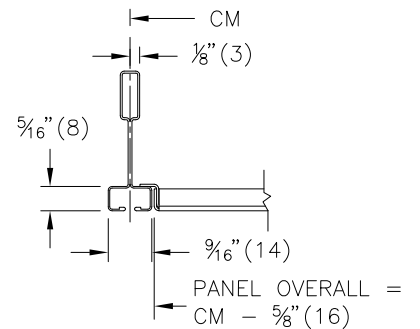
- 3P T-BAR**
- 3PA**



- 916P T-BAR**
- 916PA**



- 17P FINELINE T-BAR**
- 17PA**



MATERIAL:

- BLADES: ALUMINUM CONSTRUCTION
- FRAME: STEEL CONSTRUCTION
- PANEL: STEEL CONSTRUCTION (3P, 916P & 17P)
ALUMINUM CONSTRUCTION (3PA, 916PA & 17PA)

FINISH:

- FINISH OF PANEL TO MATCH GRILLE FINISH
- B12 WHITE
(OPTIONAL FINISHES AVAILABLE)

NOTES:

- MAXIMUM NOMINAL GRILLE SIZE = MODULE SIZE - 4" (102)
- MODULE SIZE AND NOM. GRILLE SIZE MUST BE SPECIFIED
- NOMINAL MODULE SIZES:
12" x 12" - 300mm x 300mm
24" x 12" - 600mm x 300mm
24" x 24" - 600mm x 600mm
48" x 24" - 1200mm x 600mm
- FACTORY TOLERANCE ± 1/32" (± 1)

OPTION:

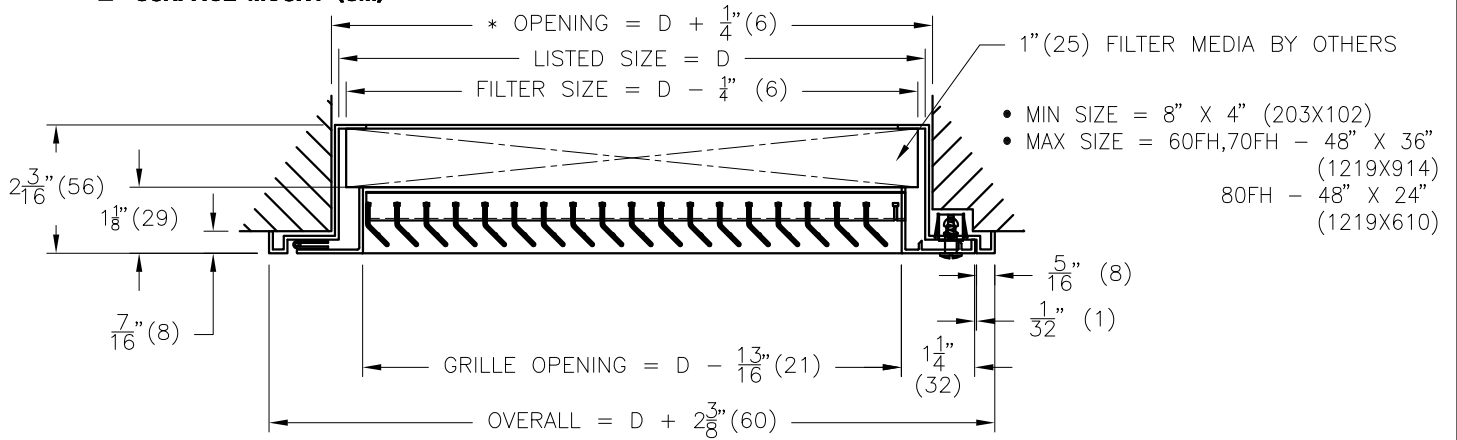
- 60DAL OR 70DAL c/w ALUMINUM OPPOSED BLADE DAMPER MILL FINISH
- 60D OR 70D c/w STEEL OPPOSED BLADE DAMPER B17 BLACK FINISH

ALL METRIC DIMENSIONS () ARE SOFT CONVERTED. IMPERIAL DIMENSIONS ARE CONVERTED TO METRIC AND ROUNDED TO THE NEAREST MILLIMETER.

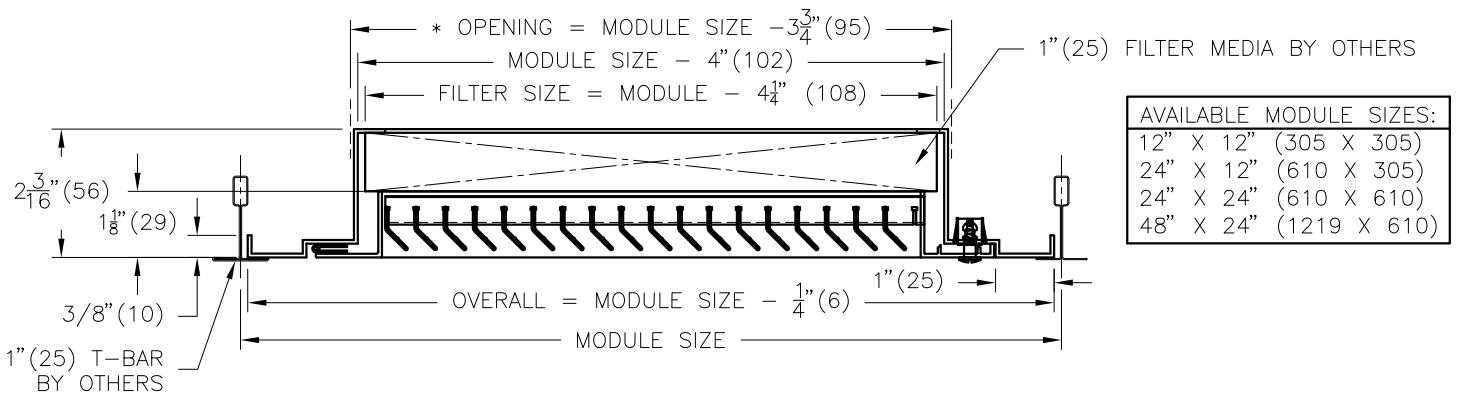
PROJECT:		PRICE®	
ENGINEER:			60, 70 PANEL MOUNTED STYLES 3P & 916P RETURN AIR GRILLES
CUSTOMER:		222063	
SUBMITTAL DATE:	SPEC. SYMBOL:	2011/10/14	

60FH, 70FH, 80FH ALUMINUM FACE FILTER RETURN

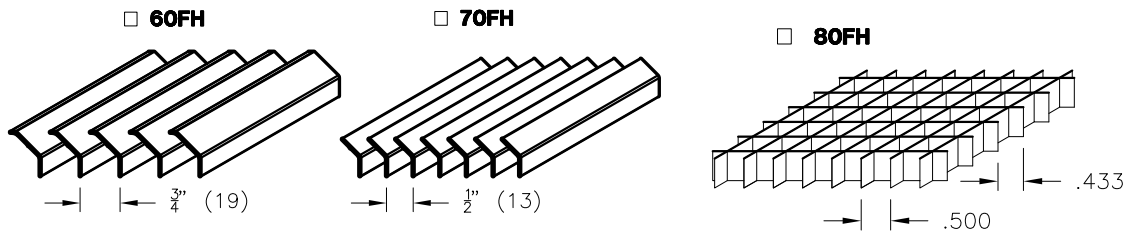
SURFACE MOUNT (SM)



T-BAR MOUNT (TB)



CORE STYLES:



FINISH:

- B12 WHITE (OPTIONAL FINISHES AVAILABLE)

MATERIAL:

- ALUMINUM CONSTRUCTION

NOTES:

- ACCEPTS STANDARD 1" (25) FILTER MEDIA
- 1/4 TURN QUICK-RELEASE FASTENERS
- CONTINUOUS ALUMINUM HINGE SUPPLIED ON UNITS UP TO 36" X 24" (914X610) DUCT SIZE.
- SIZES LARGER THAN 36" X 24" (914X610) DUCT SIZE WILL BE SUPPLIED WITH QUICK-RELEASE FASTENERS ON BOTH SIDES.

ALL METRIC DIMENSIONS () ARE SOFT CONVERTED. IMPERIAL DIMENSIONS ARE CONVERTED TO METRIC AND ROUNDED TO THE NEAREST MILLIMETER.

PROJECT:		PRICE [®]	
ENGINEER:			60FH, 70FH, 80FH SERIES ALUMINUM FACE FILTER RETURN
CUSTOMER:		222030	
SUBMITTAL DATE:	SPEC. SYMBOL:	2011/08/31	