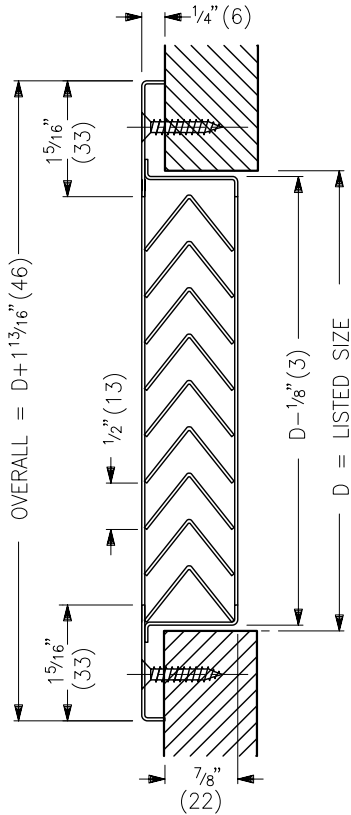


STG1 SERIES TRANSFER GRILLES

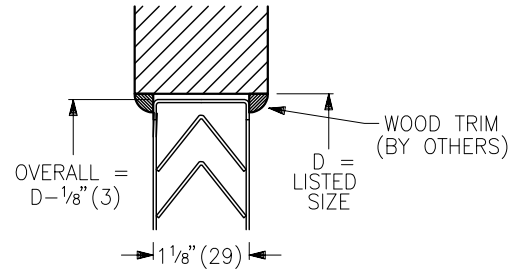


MODEL STG1/B (SHOWN)

BORDERS:

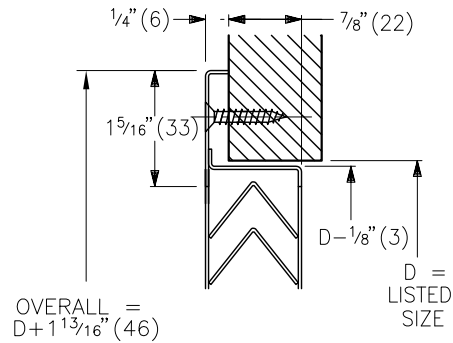
A CHANNEL BORDER

• CORE & CHANNEL FRAME ASSEMBLY



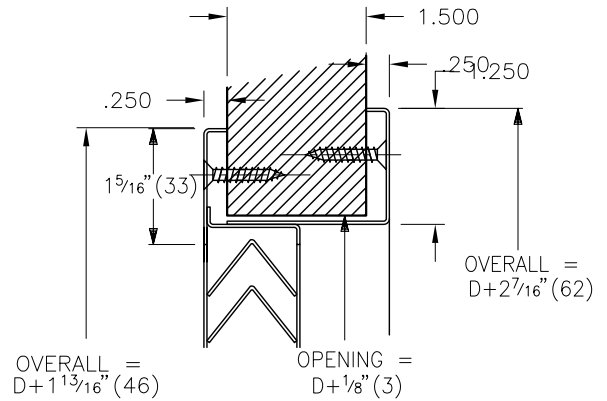
B FLAT BORDER ONE SIDE ONLY

• CORE & FLANGE FRAME ASSEMBLY



BF FLAT BORDER BOTH SIDES

• CORE & FRAME ASSEMBLY c/w AUXILIARY FRAME



FINISH:

B15 ALUMINUM
(OPTIONAL FINISHES AVAILABLE)


MATERIAL:

• STEEL CONSTRUCTION

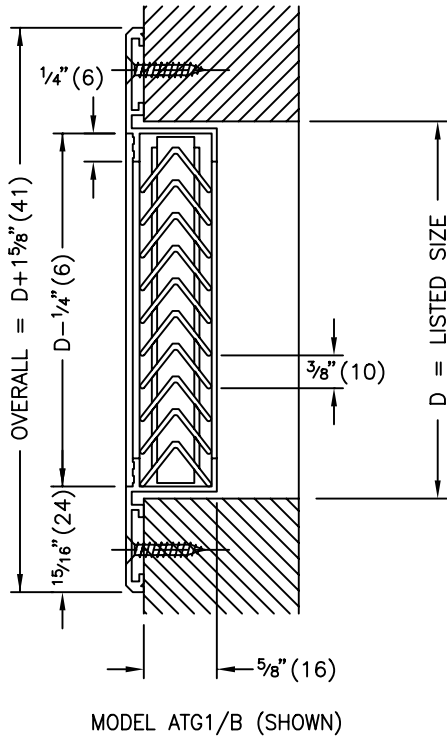
NOTE:

- OPENING = LISTED SIZE EXCEPT FOR BF BORDER APPLICATION.
- AVAILABLE SIZES:
MIN - 6 X 4 (152X102)
MAX - 48 X 36 (1219X914)
- AVAILABLE IN 1" INCREMENTS
- FACTORY TOLERANCE: ± 1/32" (1)

ALL METRIC DIMENSIONS () ARE SOFT CONVERTED. IMPERIAL DIMENSIONS ARE CONVERTED TO METRIC AND ROUNDED TO THE NEAREST MILLIMETER.

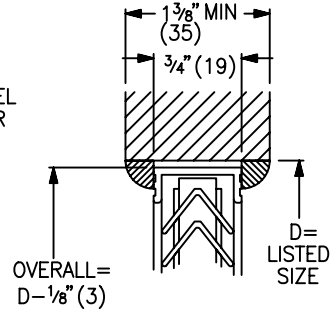
PROJECT:		PRICE [®]	
ENGINEER:			STG1 SERIES
CUSTOMER:		203522	STEEL TRANSFER GRILLES
SUBMITTAL DATE:	SPEC. SYMBOL:	2010.05.28	

ATG1 SERIES TRANSFER GRILLES



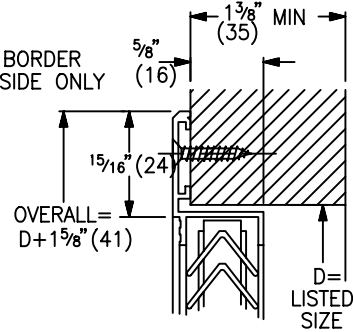
BORDERS:

A CHANNEL BORDER



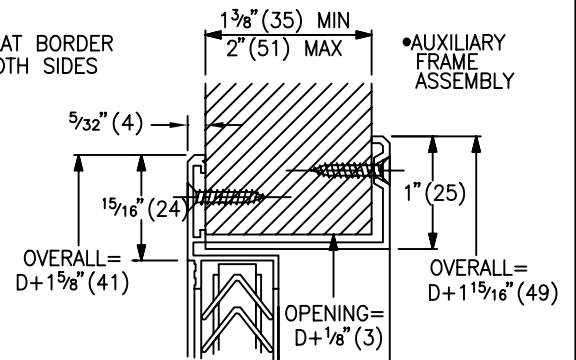
• CORE & CHANNEL FRAME ASSEMBLY TRIM BY OTHERS

B FLAT BORDER ONE SIDE ONLY



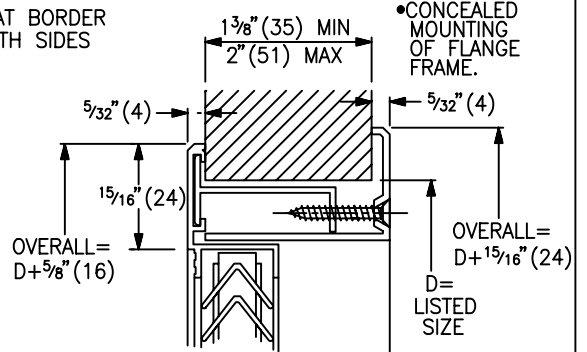
• CORE & FLANGE FRAME ASSEMBLY

BF FLAT BORDER BOTH SIDES



• AUXILIARY FRAME ASSEMBLY

C FLAT BORDER BOTH SIDES



• CONCEALED MOUNTING OF FLANGE FRAME.

FINISH:

- B15 ALUMINUM (OPTIONAL FINISHES AVAILABLE)

MATERIAL:

- EXTRUDED ALUMINUM

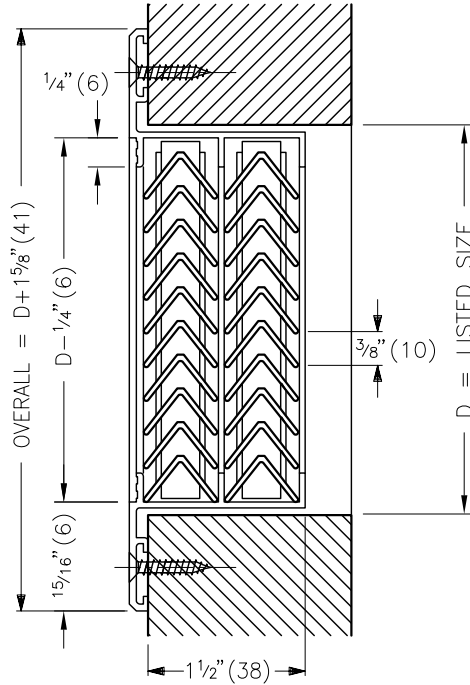
NOTES:

- OPENING = LISTED SIZE, EXCEPT FOR BF BORDER APPLICATION.
- AVAILABLE SIZES:
 - MIN - 5 x 4 (127x102)
 - MAX - SINGLE SECTION CORE - 32 x 36 (813x914)

ALL METRIC DIMENSIONS () ARE SOFT CONVERTED. IMPERIAL DIMENSIONS ARE CONVERTED TO METRIC AND ROUNDED TO THE NEAREST MILLIMETER.

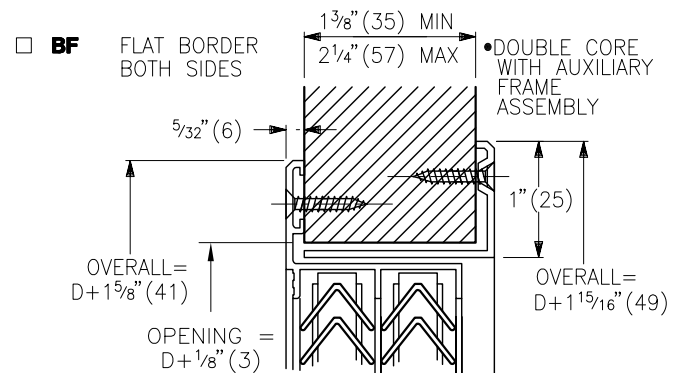
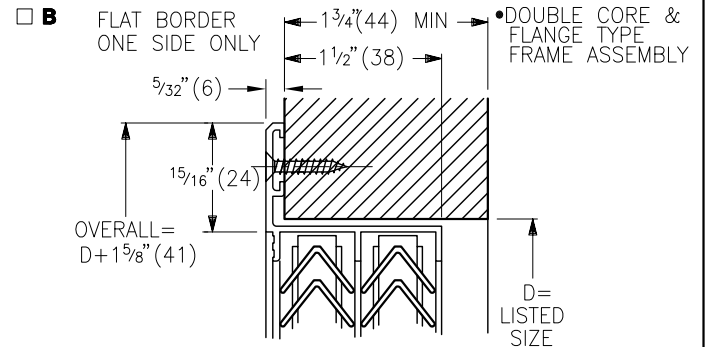
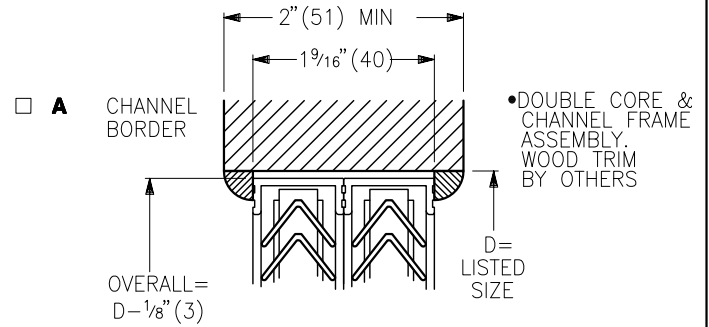
PROJECT:		PRICE®	
ENGINEER:		R	ATG1 SERIES
CUSTOMER:		210429	TRANSFER GRILLES
SUBMITTAL DATE:	SPEC. SYMBOL:	JUNE 2005	

ATG2 SERIES TRANSFER GRILLES



MODEL ATG2/B (SHOWN)

BORDERS:



MATERIAL:

- EXTRUDED ALUMINUM

OPTIONS:

- LP – LIGHTPROOF VERSION (B17 BLACK FINISH ONLY)

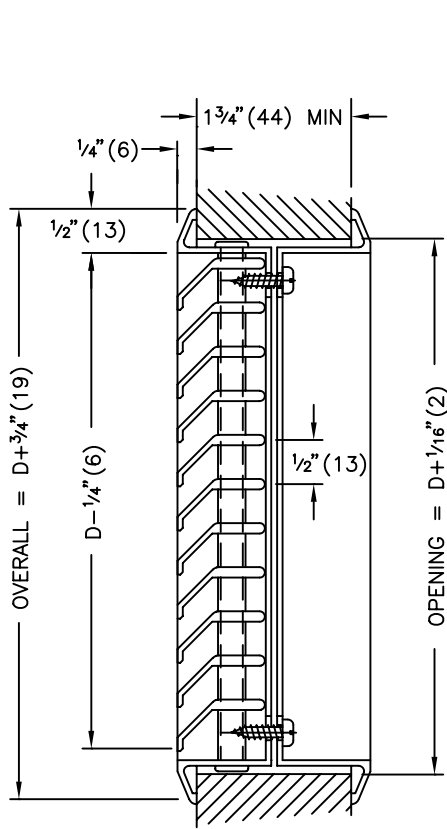
NOTES:

- OPENING = LISTED SIZE, EXCEPT FOR BF BORDER APPLICATION.
- AVAILABLE SIZES:
MIN – 6 X 4 (152X102)
MAX – SINGLE SECTION CORE, ALL BORDERS:
– 32 X 36 (813X914)
MAX – SUPPLIED WITH MULLION, ALL BORDERS:
– 64 X 36 (1626X914)
- OVERSIZED UNITS AVAILABLE IN B BORDER ONLY: SUPPLIED WITH MOUNTING CHANNELS
- LIGHTPROOF VERSION (LP) COMES WITH B17 (BLACK) FINISH ONLY

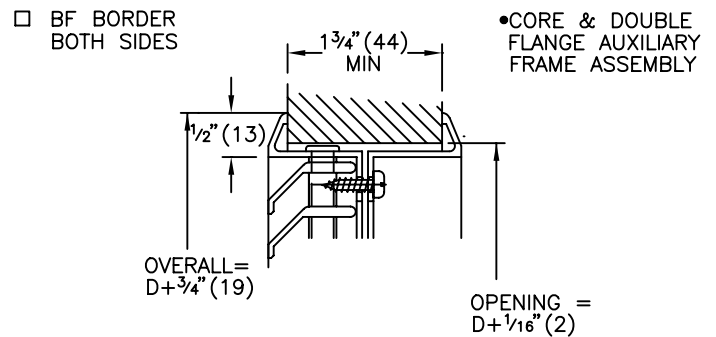
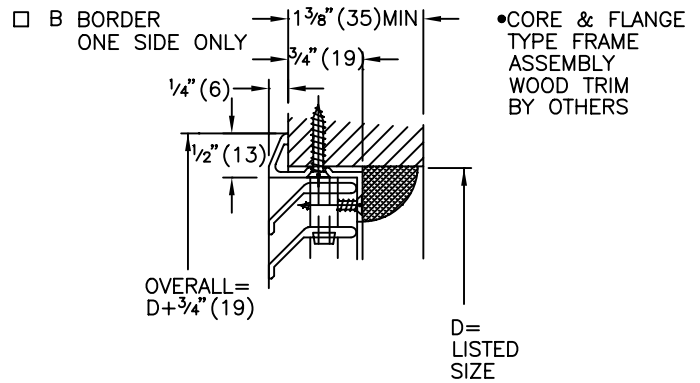
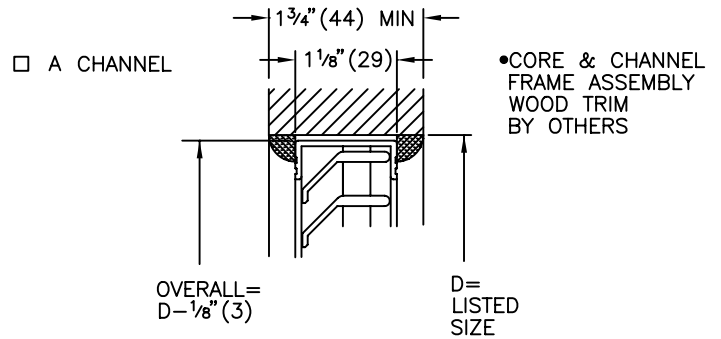
ALL METRIC DIMENSIONS () ARE SOFT CONVERTED. IMPERIAL DIMENSIONS ARE CONVERTED TO METRIC AND ROUNDED TO THE NEAREST MILLIMETER.

PROJECT:		PRICE®	
ENGINEER:		<i>R</i>	ATG2 SERIES
CUSTOMER:		210428	TRANSFER GRILLES
SUBMITTAL DATE:	SPEC. SYMBOL:	FEB 2009	

ATGH SERIES TRANSFER GRILLES



ATGH/BF SHOWN



- FINISH:
- B15 ALUMINUM (OPTIONAL FINISHES AVAILABLE)
- MATERIAL:
- EXTRUDED ALUMINUM
- NOTES:
- OPENING = LISTED SIZE
 - AVAILABLE SIZES:
MIN - 5 X 4 (127X102)
MAX - 48 X 30 (1219X762)
 - FACTORY TOLERANCE: $\pm 1/32$ " (1)

ALL METRIC DIMENSIONS () ARE SOFT CONVERTED. IMPERIAL DIMENSIONS ARE CONVERTED TO METRIC AND ROUNDED TO THE NEAREST MILLIMETER.

PROJECT:		PRICE [®]	
ENGINEER:		<i>KL</i>	ATGH SERIES
CUSTOMER:			210426
SUBMITTAL DATE:	SPEC. SYMBOL:	MAY 97	