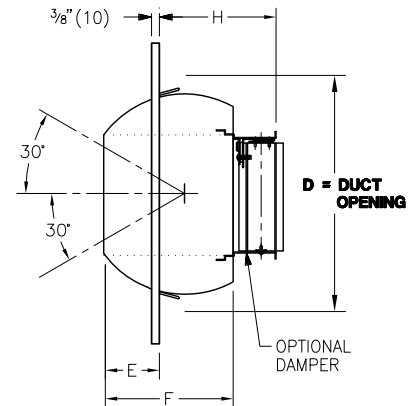
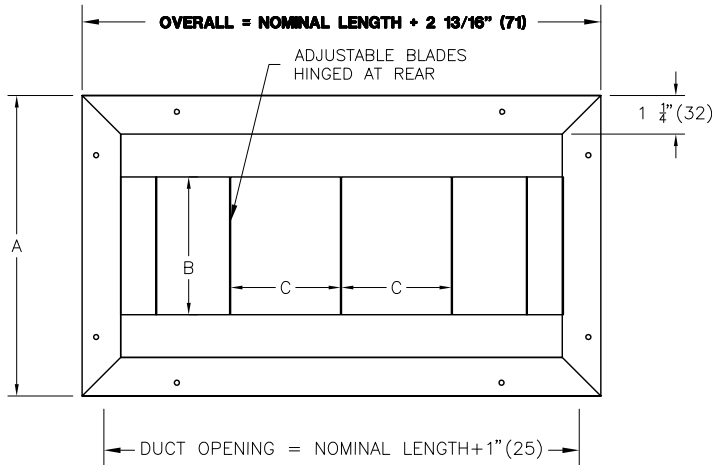


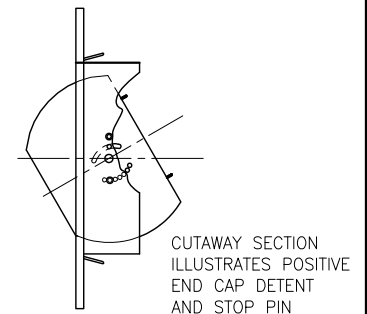
HCD1 HIGH CAPACITY DIFFUSER



AVAILABLE SIZES

NOM. SIZE	NOMINAL LENGTH
6	9" TO 60" IN 1" INCREMENTS
10 12 15	18" TO 72" IN 1" INCREMENTS

NOM. SIZE (WIDTH)	D (DUCT)	A	B	C	E	F	H (VCS3)	H (VCS5)	OPTIONAL DAMPER NOMINAL WIDTH (VCS3)	OPTIONAL DAMPER NOMINAL WIDTH (VCS5)
6	6 5/8 (168)	8 3/8 (213)	3 3/8 (86)	3 (76)	1 11/16 (43)	3 7/8 (98)	4 7/16 (113)	5 11/16 (144)	4 1/8" (105)	4" (102)
10	10 3/8 (264)	12 1/8 (308)	5 7/8 (149)	6 (152)	2 7/16 (62)	6 (152)	5 13/16 (148)	7 1/16 (179)	6 23/32" (171)	7" (178)
12	12 1/4 (311)	14 (356)	6 7/8 (175)	6 (152)	3 (76)	6 1/16 (154)	5 1/4 (133)	6 1/2 (165)	7 13/16" (199)	8" (203)
15	15 3/8 (391)	17 3/16 (437)	9 13/16 (249)	6 (152)	3 13/16 (97)	7 9/16 (192)	6 (152)	7 1/4 (184)	10 11/32" (263)	10" (254)



CUTAWAY SECTION ILLUSTRATES POSITIVE END CAP DETENT AND STOP PIN

FINISH:

- B15 ALUMINUM
- B12 WHITE
- (OPTIONAL FINISHES AVAILABLE)
- SPIRAL DUCT FRAME SDFG = MILL GALVANIZED

MATERIAL:

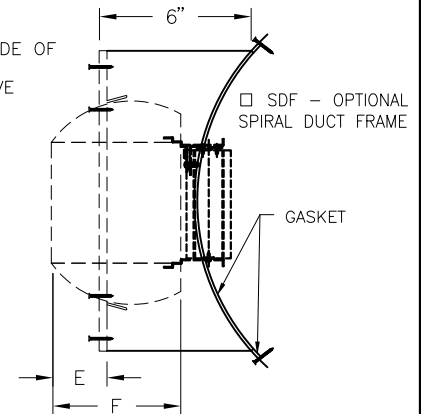
- STEEL FRAME WITH ALUMINUM DRUM
- SPIRAL DUCT FRAME SDFG = GALVANIZED STEEL

OPTIONS:

- VCS3 ATTACHED OPPOSED BLADE DAMPER (STEEL).
- VCS5 ATTACHED HEAVY DUTY OPPOSED BLADE DAMPER (STEEL).
- POB POLE OPERATOR BRACKET (48" OR LESS)

NOTES:

- DRUM CAN BE ROTATED TO 30° ON EITHER SIDE OF THE CENTRELINE.
- DETENT FOR POSITIONING ALLOWS FOR POSITIVE SETTING OF THE DRUM.
- ADJUSTABLE DEFLECTOR VANES.
- TYPE A FASTENING.
- FACTORY TOLERANCE: ± 1/8" (3)



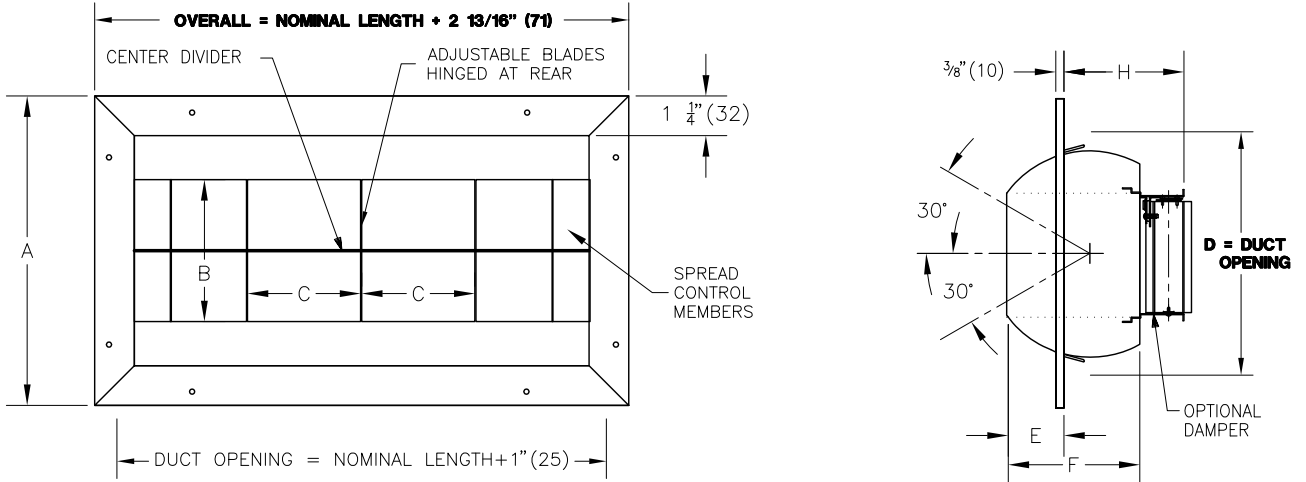
AVAILABLE DUCT DIAMETERS FOR OPTIONAL SPIRAL DUCT FRAME

NOM. SIZE (WIDTH)	NOMINAL DUCT DIAMETER																	
	10	12	14	16	18	20	22	24	26	28	30	32	34	36	38	40	42	48
6	•	•	•	•	•	•	•	•	•	•	•	•	•	•	•	•	•	•
10			•	•	•	•	•	•	•	•	•	•	•	•	•	•	•	•
12				•	•	•	•	•	•	•	•	•	•	•	•	•	•	•
15					•	•	•	•	•	•	•	•	•	•	•	•	•	•

ALL METRIC DIMENSIONS () ARE SOFT CONVERTED. IMPERIAL DIMENSIONS ARE CONVERTED TO METRIC AND ROUNDED TO THE NEAREST MILLIMETER.

PROJECT:		PRICE [®]	
ENGINEER:		<i>R</i>	HCD1 HIGH CAPACITY DIFFUSER
CUSTOMER:		211744	
SUBMITTAL DATE:	SPEC. SYMBOL:	2011/03/10	

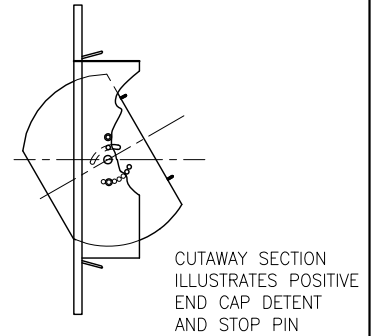
HCD2 HIGH CAPACITY DIFFUSER



AVAILABLE SIZES

NOM. SIZE	NOMINAL LENGTH
6	9" TO 60" IN 1" INCREMENTS
10	18" TO 72" IN 1" INCREMENTS
12	
15	

NOM. SIZE	D (DUCT)	A	B	C	E	F	H (VCS3)	H (VCS5)	OPTIONAL DAMPER NOMINAL WIDTH (VCS3)	OPTIONAL DAMPER NOMINAL WIDTH (VCS5)
6	6 5/8 (168)	8 3/8 (213)	3 3/8 (88)	3 (76)	1 11/16 (43)	3 7/8 (98)	4 7/16 (113)	5 11/16 (144)	4 1/8" (105)	4" (102)
10	10 3/8 (264)	12 1/8 (308)	5 7/8 (149)	6 (152)	2 7/16 (62)	6 (152)	5 13/16 (148)	7 1/16 (179)	6 23/32" (171)	7" (178)
12	12 1/4 (311)	14 (356)	6 7/8 (175)	6 (152)	3 (76)	6 1/16 (154)	5 1/4 (133)	6 1/2 (165)	7 13/16" (199)	8" (203)
15	15 3/8 (391)	17 3/16 (437)	9 13/16 (249)	6 (152)	3 13/16 (97)	7 9/16 (192)	6 (152)	7 1/4 (184)	10 11/32" (263)	10" (254)



FINISH:

- B15 ALUMINUM
- B12 WHITE (OPTIONAL FINISHES AVAILABLE)
- SPIRAL DUCT FRAME SDFG = MILL GALVANIZED

MATERIAL:

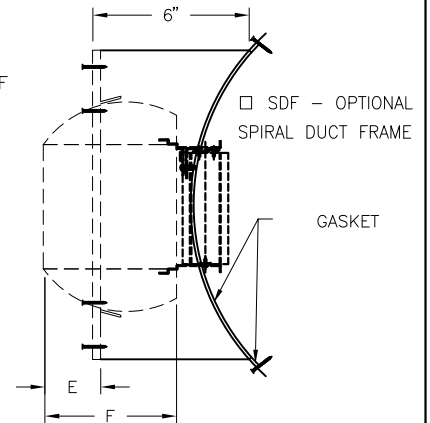
- STEEL FRAME WITH ALUMINUM DRUM
- SPIRAL DUCT FRAME SDFG = GALVANIZED STEEL

OPTIONS:

- VCS3 ATTACHED OPPOSED BLADE DAMPER (STEEL).
- VCS5 ATTACHED HEAVY DUTY OPPOSED BLADE DAMPER (STEEL).
- POB POLE OPERATOR BRACKET (48" OR LESS).

NOTES:

- DRUM CAN BE ROTATED TO 30° ON EITHER SIDE OF THE CENTRELINE.
- DETENT FOR POSITIONING ALLOWS FOR POSITIVE SETTING OF THE DRUM.
- ADJUSTABLE DEFLECTOR VANES.
- TYPE A FASTENING.
- FACTORY TOLERANCE: ± 1/8" (3)



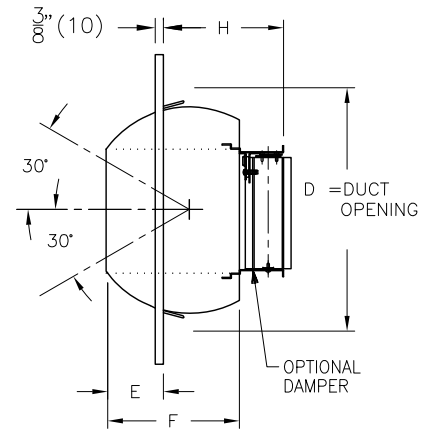
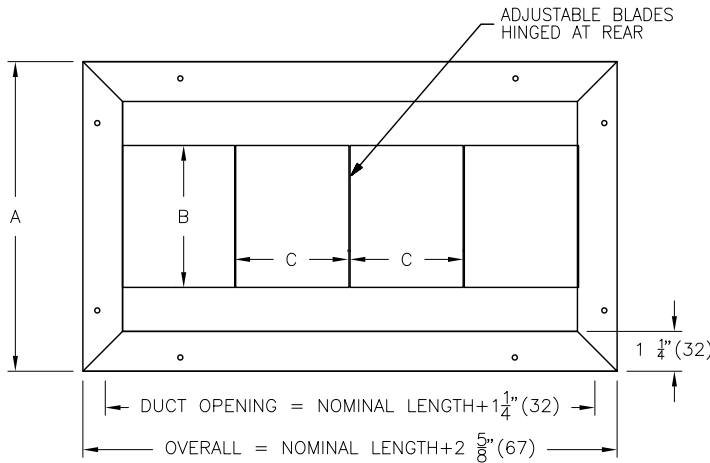
AVAILABLE DUCT DIAMETERS FOR OPTIONAL SPIRAL DUCT FRAME

NOM. SIZE	NOMINAL DUCT DIAMETER																	
	10	12	14	16	18	20	22	24	26	28	30	32	34	36	38	40	42	48
6	•	•	•	•	•	•	•	•	•	•	•	•	•	•	•	•		
10			•	•	•	•	•	•	•	•	•	•	•	•	•	•		
12				•	•	•	•	•	•	•	•	•	•	•	•	•	•	•
15					•	•	•	•	•	•	•	•	•	•	•	•	•	•

ALL METRIC DIMENSIONS () ARE SOFT CONVERTED. IMPERIAL DIMENSIONS ARE CONVERTED TO METRIC AND ROUNDED TO THE NEAREST MILLIMETER.

PROJECT:		PRICE®	
ENGINEER:			
CUSTOMER:		211745	HCD2 HIGH CAPACITY DIFFUSER
SUBMITTAL DATE:	SPEC. SYMBOL:	2011/03/10	

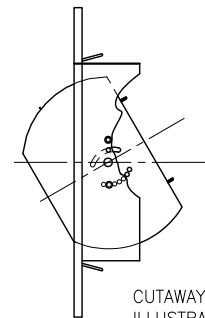
AHCD1 HIGH CAPACITY DIFFUSER



AVAILABLE SIZES

NOM. SIZE (WIDTH)	NOMINAL LENGTH
6	9" TO 60" IN 1" INCREMENTS
10 12 15	18" TO 72" IN 1" INCREMENTS

NOM. SIZE (WIDTH)	D (DUCT)	A	B	C	E	F	H (VCS3)	H (VCS5)	OPTIONAL DAMPER NOMINAL WIDTH (VCS3)	OPTIONAL DAMPER NOMINAL WIDTH (VCS5)
6	7 1/16 (179)	8 5/16 (211)	3 3/8 (86)	3 (76)	1 11/16 (43)	3 7/8 (98)	4 7/16 (115)	5 11/16 (144)	4 1/8" (105)	4" (102)
10	10 3/4 (273)	12 (305)	5 7/8 (149)	6 (152)	2 7/16 (62)	6 (152)	5 13/16 (146)	7 1/16 (179)	6 23/32" (171)	7" (178)
12	12 5/8 (321)	13 7/8 (352)	6 7/8 (175)	6 (152)	3 (76)	6 1/16 (154)	5 1/4 (133)	6 1/2 (165)	7 13/16" (199)	8" (203)
15	15 13/16 (402)	17 (432)	9 13/16 (249)	6 (152)	3 13/16 (97)	7 9/16 (192)	6 (152)	7 1/4 (184)	10 5/16" (262)	10" (254)



CUTAWAY SECTION ILLUSTRATES POSITIVE END CAP DETENT AND STOP PIN

FINISH:

- B15 - ALUMINUM
- B12 - WHITE
- (OPTIONAL FINISHES AVAILABLE)
- SPIRAL DUCT FRAME SDFG = MILL GALVANIZED
- SDFA = PAINTED ALUMINUM

MATERIAL:

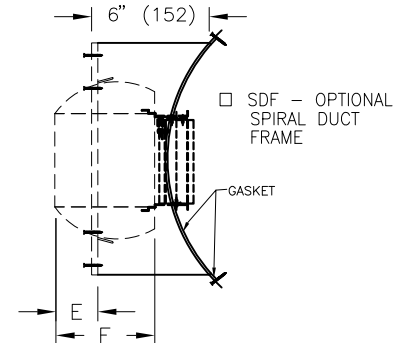
- ALUMINUM FRAME WITH ALUMINUM DRUM
- SPIRAL DUCT FRAME
 - SDFG - GALVANIZED STEEL
 - SDFA - ALUMINUM

OPTIONS:

- VCS3 ATTACHED OPPOSED BLADE DAMPER (STEEL).
- VCS3AL ATTACHED ALUMINUM OPPOSED BLADE DAMPER, MILL FINISH.
- VCS5 ATTACHED HEAVY DUTY OPPOSED BLADE DAMPER (STEEL).
- POB POLE OPERATOR BRACKET (48" OR LESS).

NOTES:

- DRUM CAN BE ROTATED TO 30° ON EITHER SIDE OF CENTRELINE.
- DETENT FOR POSITIONING ALLOWS FOR POSITIVE SETTING OF THE DRUM.
- ADJUSTABLE DEFLECTOR VANES.
- TYPE A FASTENING.
- FACTORY TOLERANCE: ± 1/32" (1)



SDF - OPTIONAL SPIRAL DUCT FRAME

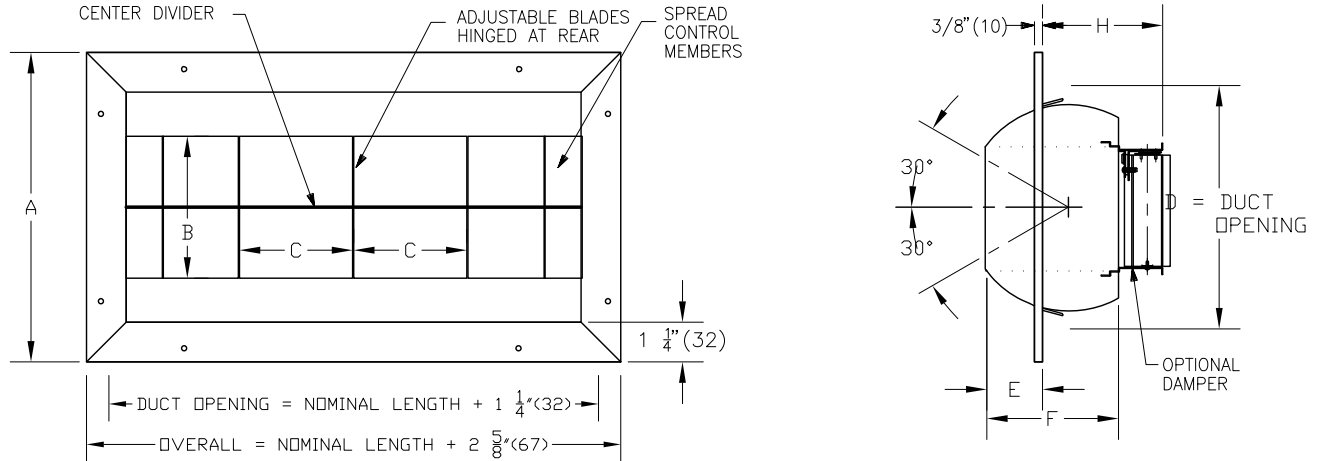
AVAILABLE DUCT DIAMETERS FOR OPTIONAL SPIRAL DUCT FRAME

NOM. SIZE (WIDTH)	NOMINAL DUCT DIAMETER																	
	10	12	14	16	18	20	22	24	26	28	30	32	34	36	38	40	42	48
6	•	•	•	•	•	•	•	•	•	•	•	•	•	•	•	•		
10			•	•	•	•	•	•	•	•	•	•	•	•	•	•		
12				•	•	•	•	•	•	•	•	•	•	•	•	•	•	
15					•	•	•	•	•	•	•	•	•	•	•	•	•	•

ALL METRIC DIMENSIONS () ARE SOFT CONVERTED. IMPERIAL DIMENSIONS ARE CONVERTED TO METRIC AND ROUNDED TO THE NEAREST MILLIMETER.

PROJECT:		PRICE®
ENGINEER:		AHCD1 HIGH CAPACITY DIFFUSER
CUSTOMER:	239250	
SUBMITTAL DATE:	SPEC. SYMBOL:	2011/03/10

AHCD2 HIGH CAPACITY DIFFUSER



AVAILABLE SIZES

NOM. SIZE	NOMINAL LENGTH
6	9" TO 60" IN 1" INCREMENTS
10	18" TO 72" IN 1" INCREMENTS
12	
15	

NOM. SIZE	D (DUCT)	A	B	C	E	F	H (VCS3)	H (VCS5)	OPTIONAL DAMPER NOMINAL WIDTH (VCS3)	OPTIONAL DAMPER NOMINAL WIDTH (VCS5)
6	7 1/16 (179)	8 5/16 (211)	3 3/8 (86)	3 (76)	1 11/16 (43)	3 7/8 (98)	4 7/16 (113)	5 11/16 (144)	4 1/8" (105)	4" (102)
10	10 3/4 (273)	12 (305)	5 7/8 (149)	6 (152)	2 7/16 (62)	6 (152)	5 13/16 (148)	7 1/16 (179)	6 23/32" (171)	7" (178)
12	12 5/8 (321)	13 7/8 (352)	6 7/8 (175)	6 (152)	3 (76)	6 1/16 (154)	5 1/4 (133)	6 1/2 (165)	7 13/16" (199)	8" (203)
15	15 13/16 (402)	17 (432)	9 13/16 (249)	6 (152)	3 13/16 (97)	7 9/16 (192)	6 (152)	7 1/4 (184)	10 5/16" (262)	10" (254)

FINISH:

- B15 - ALUMINUM
- B12 - WHITE
- (OPTIONAL FINISHES AVAILABLE)
- SPIRAL DUCT FRAME SDFG = MILL GALVANIZED
- SDFA = PAINTED ALUMINUM

MATERIAL:

- ALUMINUM FRAME WITH ALUMINUM DRUM
- SPIRAL DUCT FRAME
 - SDFG - GALVANIZED STEEL
 - SDFA - ALUMINUM

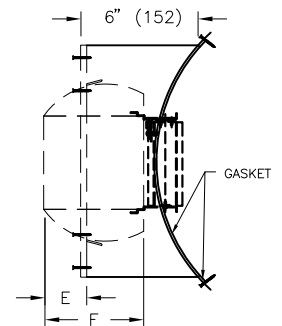
OPTIONS:

- VCS3 ATTACHED STEEL OPPOSED BLADE DAMPER (STEEL).
- VCS3AL ATTACHED ALUMINUM OPPOSED BLADE DAMPER, MILL FINISH
- VCS5 ATTACHED HEAVY DUTY OPPOSED BLADE DAMPER (STEEL).
- POB POLE OPERATOR BRACKET (48" OR LESS)

NOTES:

- DRUM CAN BE ROTATED TO 30° ON EITHER SIDE OF THE CENTRELINE.
- DETENT FOR POSITIONING ALLOWS FOR POSITIVE SETTING OF THE DRUM.
- ADJUSTABLE DEFLECTOR VANES.
- TYPE A FASTENING.
- FACTORY TOLERANCE: ± 1/32" (1)

- SDF - OPTIONAL SPIRAL DUCT FRAME



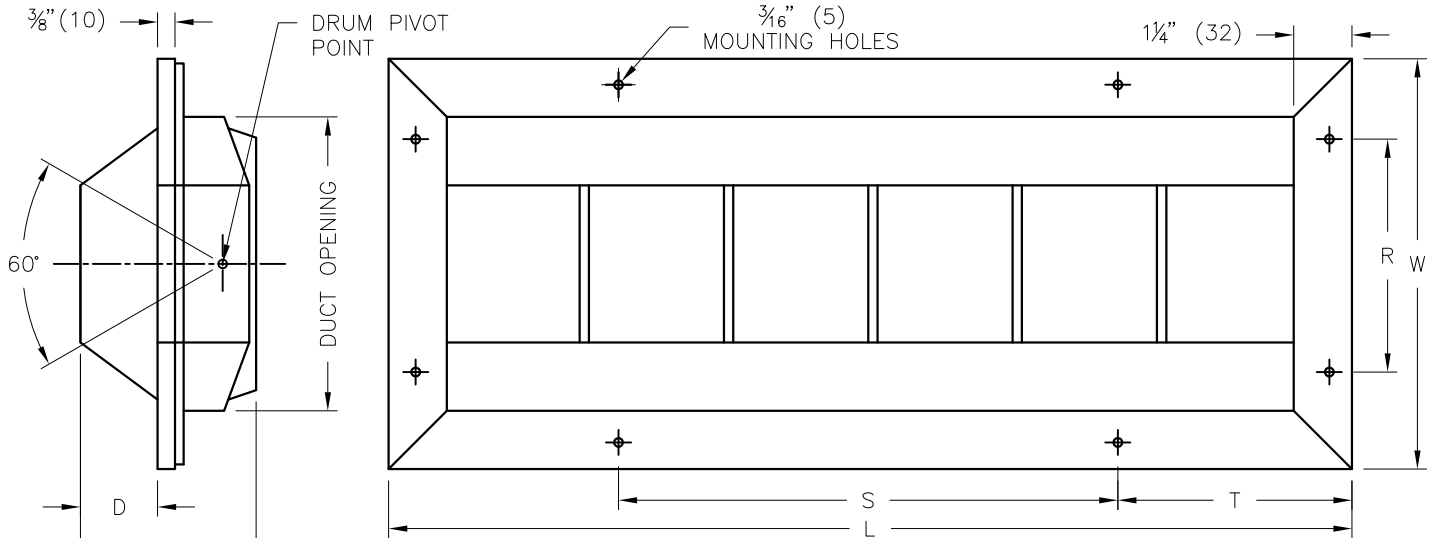
AVAILABLE DUCT DIAMETERS FOR OPTIONAL SPIRAL DUCT FRAME

NOM. SIZE	NOMINAL DUCT DIAMETER																		
	10	12	14	16	18	20	22	24	26	28	30	32	34	36	38	40	42	48	
6	•	•	•	•	•	•	•	•	•	•	•	•	•	•	•	•			
10			•	•	•	•	•	•	•	•	•	•	•	•	•	•	•		
12				•	•	•	•	•	•	•	•	•	•	•	•	•	•	•	•
15					•	•	•	•	•	•	•	•	•	•	•	•	•	•	•

ALL METRIC DIMENSIONS () ARE SOFT CONVERTED. IMPERIAL DIMENSIONS ARE CONVERTED TO METRIC AND ROUNDED TO THE NEAREST MILLIMETER.

PROJECT:		PRICE®	
ENGINEER:			AHCD2 HIGH CAPACITY DIFFUSER
CUSTOMER:		239251	
SUBMITTAL DATE:	SPEC. SYMBOL:	2011/03/10	

DLSS - STAINLESS STEEL DRUM LOUVER



Model	L	W	H	Required Duct Opening	A	B	D	R	S	T	Blade Qty.	Mtg Holes
6x9	11 ¹ / ₁₆	8 ³ / ₁₆	3 ⁵ / ₈	9 ¹ / ₁₆ x6 ⁷ / ₁₆	3 ³ / ₈	3	1 ² / ₃₂	0	6	4 ¹ / ₃₂	2	8
6x12	14 ¹ / ₁₆			3							8	
6x18	20 ¹ / ₁₆			5							8	
6x24	26 ¹ / ₁₆			7							10	
6x30	32 ¹ / ₁₆			9							12	
6x36	38 ¹ / ₁₆			11							14	
6x48	50 ¹ / ₁₆			15							18	
6x60	62 ¹ / ₁₆	19	22									
10x20	22 ¹ / ₁₆	11 ⁵ / ₁₆	6	20 ¹ / ₁₆ x10 ³ / ₁₆	5 ⁷ / ₈	5	2 ⁷ / ₁₆	6	5	6 ¹ / ₃₂	3	10
10x25	27 ¹ / ₁₆			4							12	
10x30	32 ¹ / ₁₆			5							14	
10x35	37 ¹ / ₁₆			6							16	
10x40	42 ¹ / ₁₆			7							18	
10x50	52 ¹ / ₁₆			9							22	
10x60	62 ¹ / ₁₆			11							26	
10x70	72 ¹ / ₁₆	13	30									
12x20	22 ¹ / ₁₆	13 ⁵ / ₁₆	6	20 ¹ / ₁₆ x12 ³ / ₁₆	6 ⁷ / ₈	5	3	6	5	6 ¹ / ₃₂	3	9
12x30	32 ¹ / ₁₆			5							14	
12x40	42 ¹ / ₁₆			7							18	
12x50	52 ¹ / ₁₆			9							22	
12x60	62 ¹ / ₁₆			11							26	
12x70	72 ¹ / ₁₆	13	30									
15x15	17 ¹ / ₁₆	17	8 ³ / ₈	15 ¹ / ₁₆ x15 ³ / ₁₆	9 ¹ / ₁₆	5	3 ³ / ₁₆	9	5	6 ¹ / ₃₂	2	8
15x20	22 ¹ / ₁₆			3							10	
15x25	27 ¹ / ₁₆			4							12	
15x30	32 ¹ / ₁₆			5							14	
15x40	42 ¹ / ₁₆			7							18	
15x50	52 ¹ / ₁₆			9							22	
15x60	62 ¹ / ₁₆			11							26	
15x70	72 ¹ / ₁₆	13	30									

MATERIAL :

- STAINLESS STEEL CONSTRUCTION



FINISH :

(OPTIONAL FINISHES AVAILABLE)

NOTES:

- DRUM IS ADJUSTABLE THROUGH 60°
- BLADES ARE INDIVIDUALLY ADJUSTABLE.
- LARGE SELECTION OF AVAILABLE SIZES (SEE CHART)
- FACTORY TOLERANCE ± 1/16" (2)

ALL METRIC DIMENSIONS () ARE SOFT CONVERTED. IMPERIAL DIMENSIONS ARE CONVERTED TO METRIC AND ROUNDED TO THE NEAREST MILLIMETER.

PROJECT:		  DLSS STAINLESS STEEL DRUM LOUVER
ENGINEER:		
CUSTOMER:		
SUBMITTAL DATE:	SPEC. SYMBOL:	
		255504
		2010/09/01