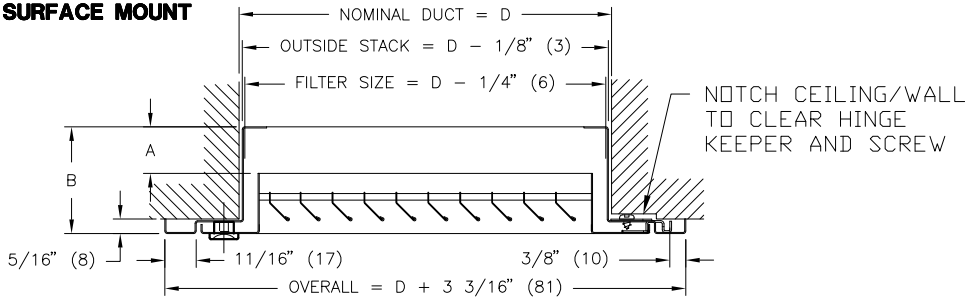


**530FF, 535FF STEEL FILTER GRILLES**

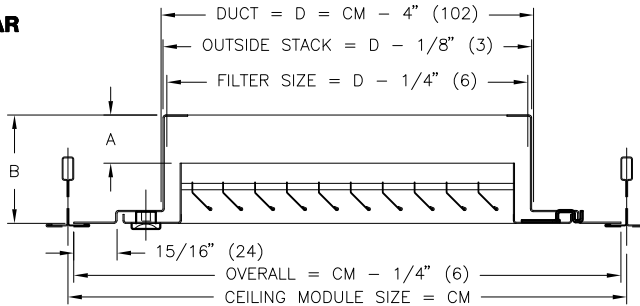
**MOUNTING/FASTENING:**

**SM SURFACE MOUNT**

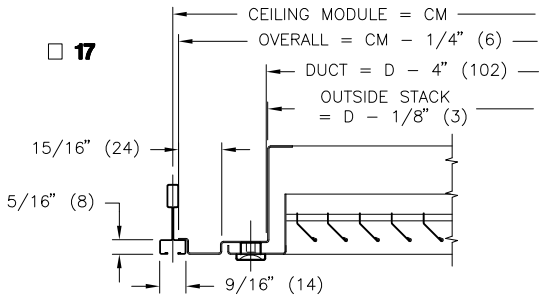


**NOTE:**  
FOR SIDEWALL INSTALLATION, HINGE TABS MUST BE AT TOP.

**TB TEE BAR**



**17**

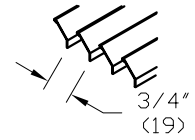


**DIMENSIONING SCHEDULE**

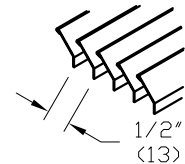
FILTER SIZE	A	B
1"	1 (25)	2 <sup>9</sup> / <sub>16</sub> (59)
2"	2 (51)	3 <sup>5</sup> / <sub>16</sub> (85)

**CORE STYLES:**

**530FF** - 3/4" BLADE SPACING



**535FF** - 1/2" BLADE SPACING



**BLADE ORIENTATION:**

- L** - BLADES ARE PARALLEL TO LONG DIMENSION
- S** - BLADES ARE PARALLEL TO SHORT DIMENSION

**FILTER SIZE:**

- 1"** - FILTER FRAME ACCEPTS 1" FILTER
- 2"** - FILTER FRAME ACCEPTS 2" FILTER

**HINGE ORIENTATION:**

- HL** - HINGE TABS ARE PARALLEL TO LONG DIMENSION
- HS** - HINGE TABS ARE PARALLEL TO SHORT DIMENSION

**NOTES:**

- SURFACE MOUNT :**
- MIN. SIZE: 8" X 4" (203 X 102)
  - MAX. SIZE: 48" X 48" (1219 X 1219)
- T-BAR LAY-IN MOUNT :**
- 12" X 12" (305 X 305)
  - 24" X 12" (610 X 305)
  - 24" X 24" (610 X 610)
  - 48" X 24" (1219 X 610)
- LISTED SIZE FOR T-BAR MOUNTING IS THE CEILING MODULE SIZE.
  - LISTED SIZE FOR SURFACE MOUNTING IS THE NOMINAL DUCT SIZE.
  - MOUNTING HOLES IN FILTER FRAME BY INSTALLER.
  - QUARTER TURN FASTENER LOCATION PER FACTORY STANDARD.
  - FACTORY TOLERANCE +/- 1/32" (1)

**MATERIAL:**

STEEL CONSTRUCTION

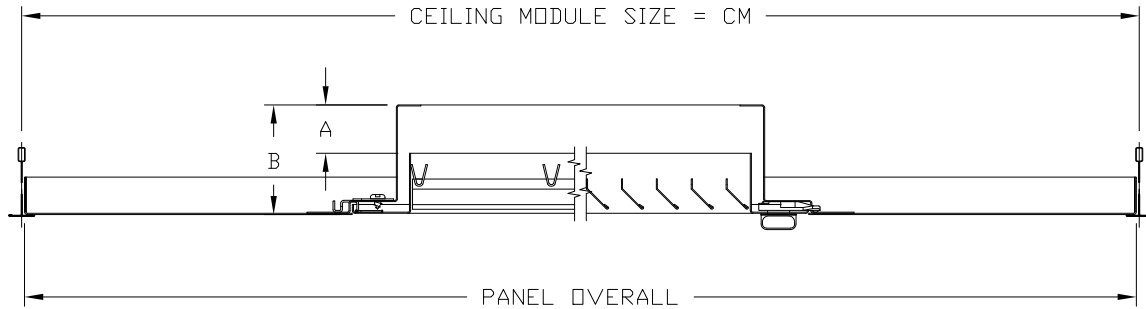
**FINISHES:**

- B12 WHITE (OPTIONAL FINISHES AVAILABLE)

ALL METRIC DIMENSIONS ( ) ARE SOFT CONVERTED. IMPERIAL DIMENSIONS ARE CONVERTED TO METRIC AND ROUNDED TO THE NEAREST MILLIMETER.

<b>PROJECT:</b>		<b>PRICE®</b>	
<b>ENGINEER:</b>			
<b>CUSTOMER:</b>		219694	<b>530FF, 535FF</b> STEEL FILTER GRILLES
<b>SUBMITTAL DATE:</b>	<b>SPEC. SYMBOL:</b>	2011/10/18	

**530FF, 535FF PANEL MOUNTED FILTER GRILLES**



**BLADE ORIENTATION:**

- L** – BLADES ARE PARALLEL TO LONG DIMENSION
- S** – BLADES ARE PARALLEL TO SHORT DIMENSION

**FILTER SIZE:**

- 1"** – FILTER FRAME ACCEPTS 1" FILTER
- 2"** – FILTER FRAME ACCEPTS 2" FILTER

**HINGE ORIENTATION:**

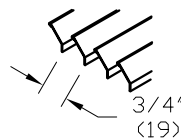
- HL** – HINGE TABS ARE PARALLEL TO LONG DIMENSION
- HS** – HINGE TABS ARE PARALLEL TO SHORT DIMENSION

**DIMENSIONING SCHEDULE**

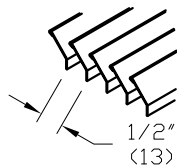
FILTER SIZE	A	B
1"	1 (25)	2 <sup>5</sup> / <sub>16</sub> (59)
2"	2 (51)	3 <sup>5</sup> / <sub>16</sub> (85)

**CORE STYLES:**

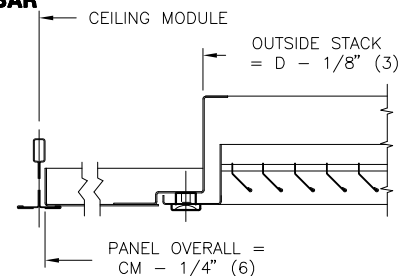
- 530FF** – 3/4" BLADE SPACING



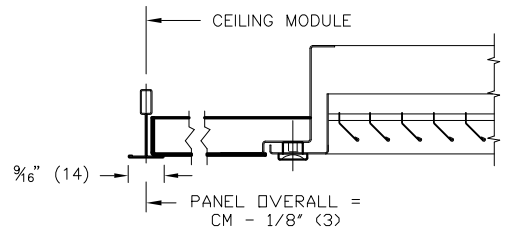
- 535FF** – 1/2" BLADE SPACING



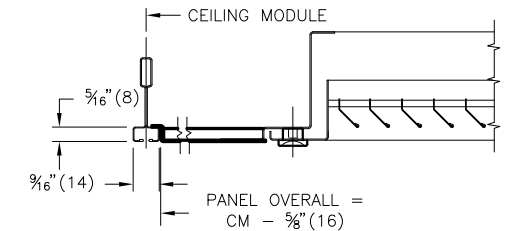
**3P T-BAR**



**916P T-BAR**



**17P FINELINE T-BAR**



**MATERIAL:**

STEEL CONSTRUCTION

**FINISHES:**

- B12 WHITE
- (OPTIONAL FINISHES AVAILABLE)

**NOTES:**

- 3P, 916P & 17P T-BAR LAY-IN PANEL MOUNTED :  
 CEILING MODULE: 24" X 24" (610 X 610)  
 INLET SIZE: MIN. 6" X 6" (152 X 152), MAX. 18" X 18" (457 X 457)  
 CEILING MODULE: 48" X 24" (1219 X 610)  
 INLET SIZE: MIN. 6" X 6" (152 X 152), MAX. 42" X 18" (1067 X 457)
- QUARTER TURN FASTENER LOCATION PER FACTORY STANDARD.
- FACTORY TOLERANCE +/- 1/32" (1)

ALL METRIC DIMENSIONS ( ) ARE SOFT CONVERTED. IMPERIAL DIMENSIONS ARE CONVERTED TO METRIC AND ROUNDED TO THE NEAREST MILLIMETER.

**PROJECT:**

**ENGINEER:**

**CUSTOMER:**

**SUBMITTAL DATE:**

**SPEC. SYMBOL:**



**530FF, 535FF**  
STEEL FILTER GRILLES

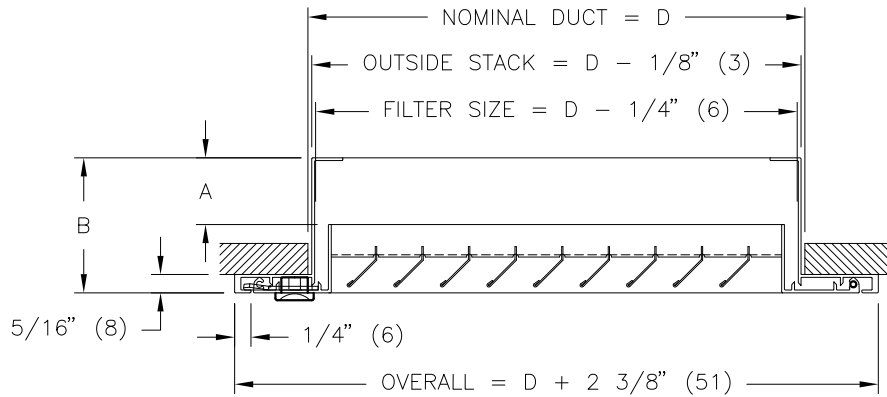
219694

2011/10/18

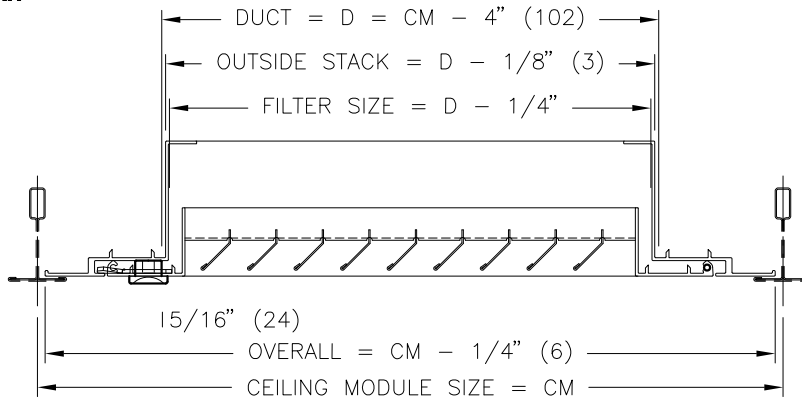
**630FF, 635FF ALUMINUM FILTER G**

**MOUNTING/FASTENING:**

**SM SURFACE MOUNT**



**TB TEE BAR**



**MATERIAL:**

ALUMINIUM CONSTRUCTION

**FINISHES:**

B12 WHITE  
(OPTIONAL FINISHES AVAILABLE)

**NOTES:**

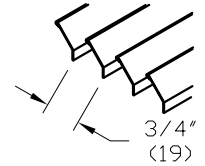
- SURFACE MOUNT:
- T-BAR LAY-IN MOUNT:

**DIMENSIONING SCHEDULE**

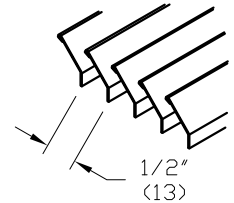
FILTER SIZE	A	B
1"	1 (25)	2 <sup>3</sup> / <sub>16</sub> (56)
2"	2 (51)	3 <sup>3</sup> / <sub>16</sub> (81)

**CORE STYLES:**

**630FF** - 3/4" BLADE SPACING



**635FF** - 1/2" BLADE SPACING



**BLADE ORIENTATION:**

- L** - BLADES ARE PARALLEL TO LONG DIMENSION
- S** - BLADES ARE PARALLEL TO SHORT DIMENSION

**FILTER SIZE:**

- 1"** - FILTER FRAME ACCEPTS 1" FILTER
- 2"** - FILTER FRAME ACCEPTS 2" FILTER

**HINGE ORIENTATION:**

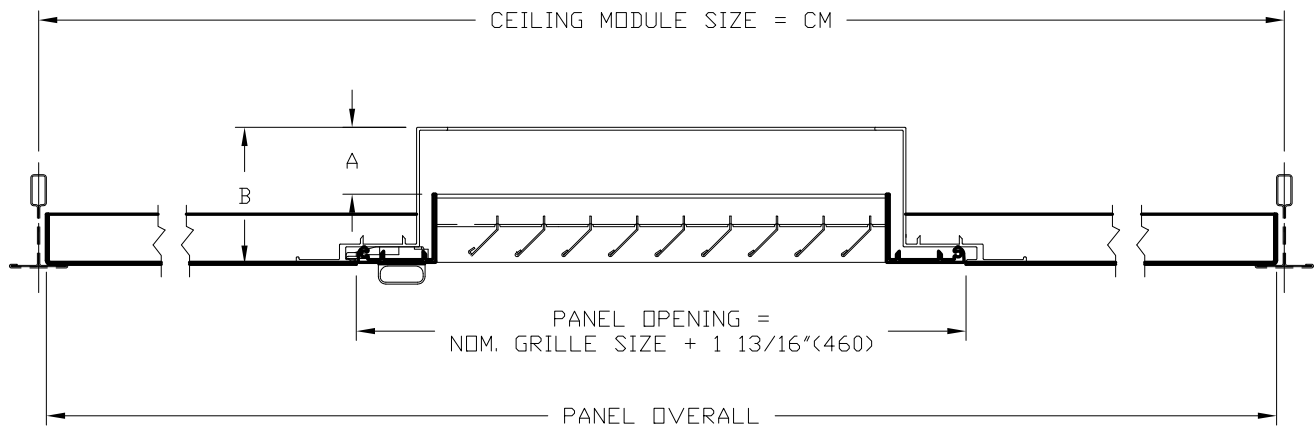
- HL** - HINGE PINS ARE PARALLEL TO LONG DIMENSION
- HS** - HINGE PINS ARE PARALLEL TO SHORT DIMENSION

- LISTED SIZE FOR T-BAR MOUNTING IS THE CEILING MODULE SIZE.
- LISTED SIZE FOR SURFACE MOUNTING IS THE NOMINAL DUCT SIZE.
- MOUNTING HOLES IN FILTER FRAME BY INSTALLER.
- QUARTER TURN FASTENER LOCATION PER FACTORY STANDARD.
- FACTORY TOLERANCE +/- 1/32" (1)

ALL METRIC DIMENSIONS ( ) ARE SOFT CONVERTED. IMPERIAL DIMENSIONS ARE CONVERTED TO METRIC AND ROUNDED TO THE NEAREST MILLIMETER.

<b>PROJECT:</b>		<b>PRICE</b> <sup>®</sup>	
<b>ENGINEER:</b>			<b>630FF, 635FF</b> ALUMINUM FILTER GRILLES
<b>CUSTOMER:</b>		239549	
<b>SUBMITTAL DATE:</b>	<b>SPEC. SYMBOL:</b>	2011/10/18	

**630FF, 635FF PANEL MOUNTED FILTER GRILLES**



**BLADE ORIENTATION:**

- L** - BLADES ARE PARALLEL TO LONG DIMENSION
- S** - BLADES ARE PARALLEL TO SHORT DIMENSION

**FILTER SIZE:**

- 1"** - FILTER FRAME ACCEPTS 1" FILTER
- 2"** - FILTER FRAME ACCEPTS 2" FILTER

**HINGE ORIENTATION:**

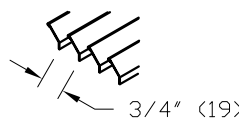
- HL** - HINGE PINS ARE PARALLEL TO LONG DIMENSION
- HS** - HINGE PINS ARE PARALLEL TO SHORT DIMENSION

**DIMENSIONING SCHEDULE**

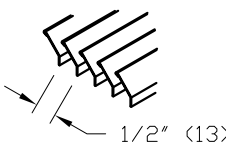
FILTER SIZE	A	B
1"	1 (25)	2 <sup>3</sup> / <sub>16</sub> (56)
2"	2 (51)	3 <sup>3</sup> / <sub>16</sub> (81)

**CORE STYLES:**

- 630FF** - 3/4" BLADE SPACING



- 635FF** - 1/2" BLADE SPACING



**MATERIAL:**

ALUMINIUM CONSTRUCTION

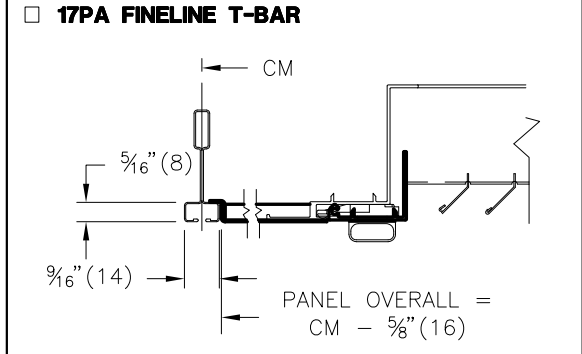
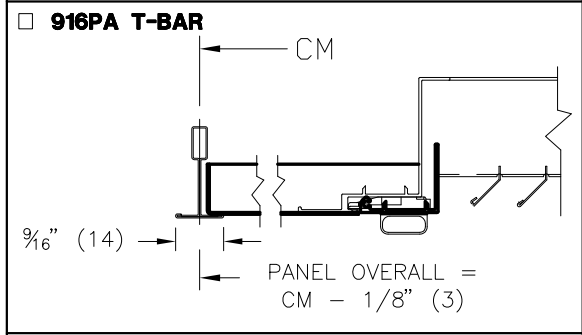
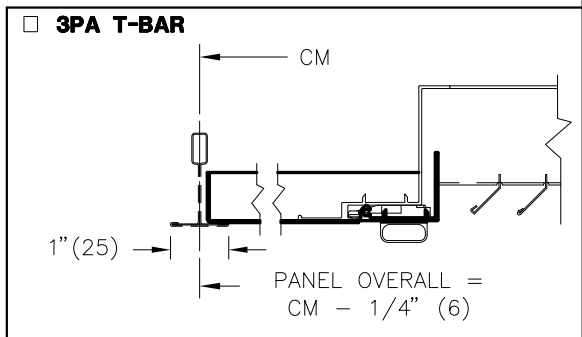
**FINISHES:**

- B12 WHITE  
(OPTIONAL FINISHES AVAILABLE)

**NOTES:**

- 3P, 916P & 17P T-BAR LAY-IN PANEL MOUNTED :  
CEILING MODULE: 24" X 24" (610 X 610)  
INLET SIZE: MIN. 6" X 6" (152 X 152), MAX. 18" X 18" (457 X 457)  
CEILING MODULE: 48" X 24" (1219 X 610)  
INLET SIZE: MIN. 6" X 6" (152 X 152), MAX. 42" X 18" (1067 X 457)
- QUARTER TURN FASTENER LOCATION PER FACTORY STANDARD.
- FACTORY TOLERANCE +/- 1/32" (1)

ALL METRIC DIMENSIONS ( ) ARE SOFT CONVERTED. IMPERIAL DIMENSIONS ARE CONVERTED TO METRIC AND ROUNDED TO THE NEAREST MILLIMETER.



**PROJECT:**

**ENGINEER:**

**CUSTOMER:**

**SUBMITTAL DATE:**

**SPEC. SYMBOL:**

**PRICE**<sup>®</sup>

*RV*

**630FF, 635FF**

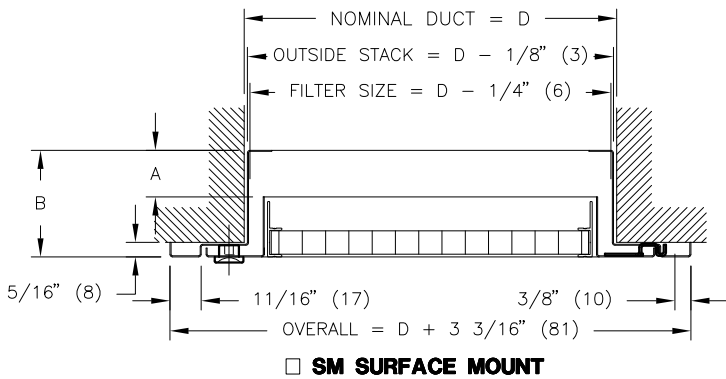
ALUMINUM FILTER GRILLES

239549

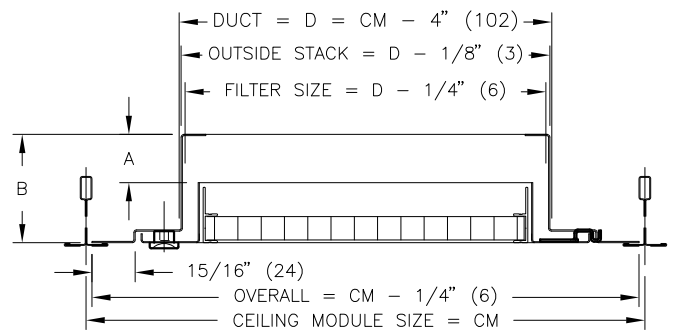
2011/10/18

**80FF STEEL FILTER GRILLES**

**MOUNTING/FASTENING:**



**SM SURFACE MOUNT**



**TB TEE BAR**

**NOTE:**

FOR SIDEWALL INSTALLATION, HINGE TABS MUST BE AT TOP.

**FILTER SIZE:**

- 1"** - FILTER FRAME ACCEPTS 1" FILTER
- 2"** - FILTER FRAME ACCEPTS 2" FILTER

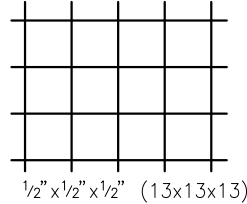
**DIMENSIONING SCHEDULE**

FILTER SIZE	A	B
1"	1" (25)	2 <sup>5</sup> / <sub>16</sub> " (59)
2"	2" (51)	3 <sup>3</sup> / <sub>16</sub> " (85)

**HINGE ORIENTATION:**

- HL** - HINGE TABS ARE PARALLEL TO LONG DIMENSION
- HS** - HINGE TABS ARE PARALLEL TO SHORT DIMENSION

**ALUMINUM EGGCRATE**



**MATERIAL:**

- STEEL CONSTRUCTION

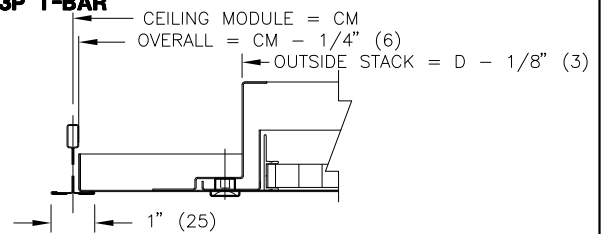
**FINISHES:**

- B12 WHITE (OPTIONAL FINISHES AVAILABLE)

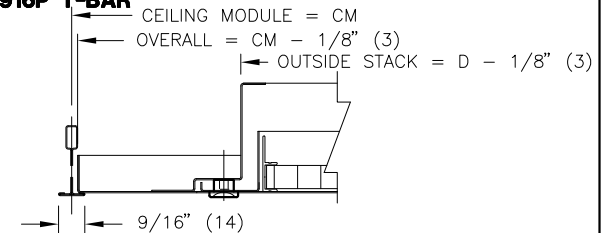
**NOTES:**

- SURFACE MOUNT: (LISTED SIZES ARE THE NOMINAL DUCT SIZES)  
MIN. SIZE - 8" X 4" (203 X 102)  
MAX. SIZE - 48" X 24" (1219 X 610)
- T-BAR LAY-IN MOUNT: (LISTED SIZES ARE THE CEILING MODULE SIZES)  
12" X 12" (305 X 305)  
24" X 12" (610 X 305)  
24" X 24" (610 X 610)  
48" X 24" (1219 X 610)
- 3P, 916P & 17P T-BAR LAY-IN PANEL MOUNTED :  
CEILING MODULE: 24" X 24" (610 X 610)  
INLET SIZE: MIN. 6" X 6" (152 X 152), MAX. 18" X 18" (457 X 457)  
CEILING MODULE: 48" X 24" (1219 X 610)  
INLET SIZE: MIN. 6" X 6" (152 X 152), MAX. 42" X 18" (1067 X 457)
- MOUNTING HOLES IN FILTER FRAME BY INSTALLER.
- QUARTER TURN FASTENER LOCATION PER FACTORY STANDARD.

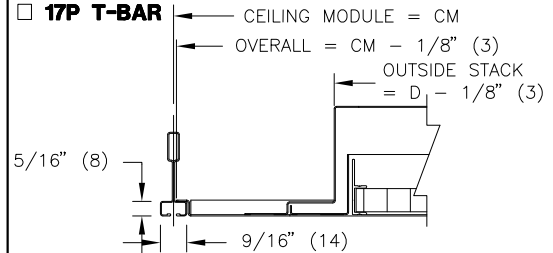
**3P T-BAR**



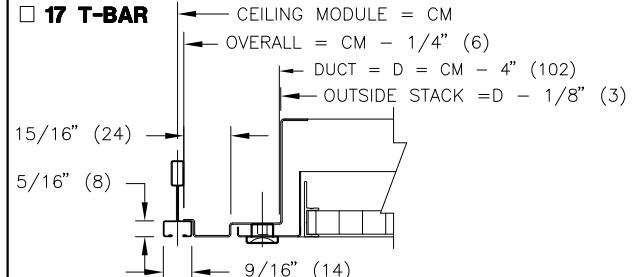
**916P T-BAR**



**17P T-BAR**



**17 T-BAR**

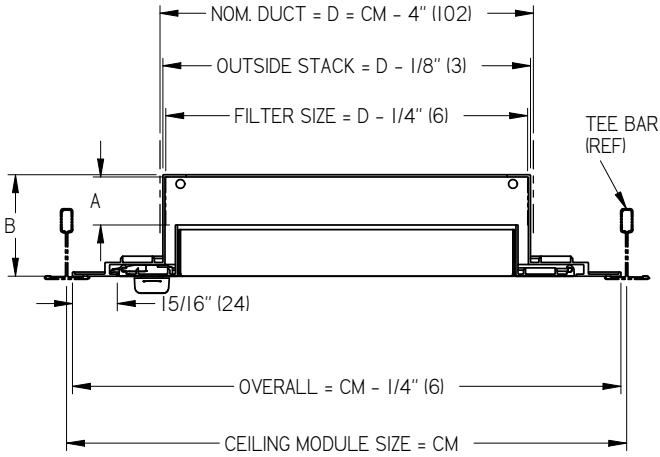


ALL METRIC DIMENSIONS ( ) ARE SOFT CONVERTED. IMPERIAL DIMENSIONS ARE CONVERTED TO METRIC AND ROUNDED TO THE NEAREST MILLIMETER.

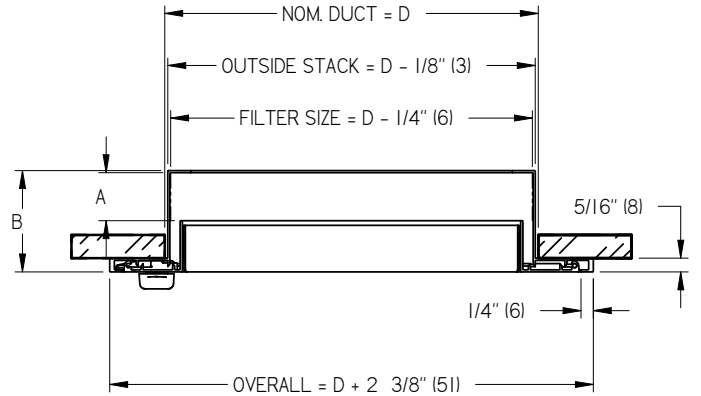
<b>PROJECT:</b>		<b>PRICE®</b>	
<b>ENGINEER:</b>		 222011	<b>80FF</b> EGG CRATE FACE FILTER GRILLES
<b>CUSTOMER:</b>			
<b>SUBMITTAL DATE:</b>	<b>SPEC. SYMBOL:</b>	2011/10/14	

10AFF - ALUMINUM PERFORATED FACE FILTER RETURN

TB TEE BAR



SM SURFACE MOUNT



**MATERIAL:**  
ALUMINIUM CONSTRUCTION

**FINISH:**  
B12 WHITE  
(OPTIONAL FINISHES AVAILABLE)

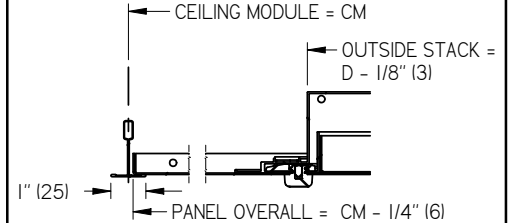
**FILTER SIZE:**  
1" - FILTER FRAME ACCEPTS 1" FILTER  
2" - FILTER FRAME ACCEPTS 2" FILTER

**HINGE ORIENTATION:**  
HL HINGE PINS ARE PARALLEL TO LONG DIMENSION  
HS HINGE PINS ARE PARALLEL TO SHORT DIMENSION

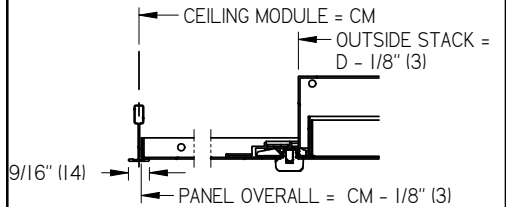
- NOTES:**
- SURFACE MOUNT: (LISTED SIZES ARE THE NOMINAL DUCT SIZES)  
MIN. SIZE: 8" X 4" (203 X 102)  
MAX. SIZE: 24" X 24" (610 X 610)
  - T-BAR LAY-IN MOUNT: (LISTED SIZES ARE THE CEILING MODULE SIZES)  
12" X 12" (305 X 305)  
24" X 12" (610 X 305)  
24" X 24" (610 X 610)
  - 3PA, 916PA & 17PA T-BAR LAY-IN PANEL MOUNTED:  
CEILING MODULE: 24" X 24" (610X610)  
INLET SIZE: MIN. 6"X6" (152X152), MAX. 18" X 18" (457X457)  
CEILING MODULE: 48" X 24" (1219 X 610)  
INLET SIZE: MIN. 6"X6" (152X152), MAX. 24" X 18" (610X457)
  - MOUNTING HOLES IN FILTER FRAME BY INSTALLER
  - QUARTER TURN FASTENER LOCATION PER FACTORY STANDARD
  - FACTORY TOLERANCE +/- 1/32" (1)

DIMENSIONING SCHEDULE		
FILTER SIZE	A	B
1"	1" (25)	2 3/16" (56)
2"	2" (51)	3 3/16" (81)

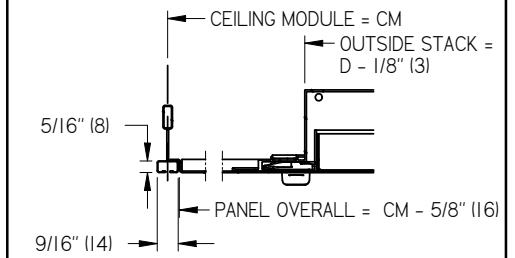
3PA T-BAR




916PA T-BAR



17PA FINELINE T-BAR

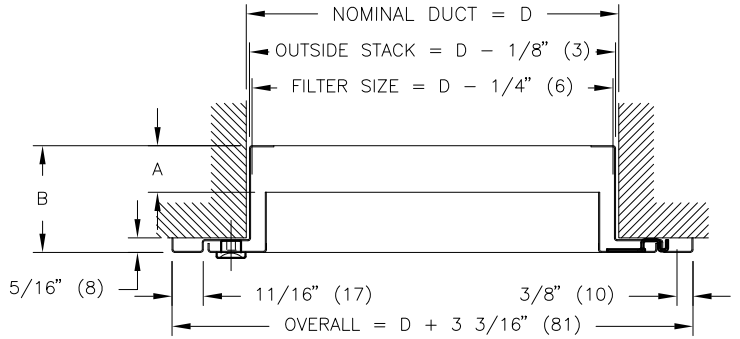


ALL METRIC DIMENSIONS ( ) ARE SOFT CONVERTED. IMPERIAL DIMENSIONS ARE CONVERTED TO METRIC AND ROUNDED TO THE NEAREST MILLIMETER.

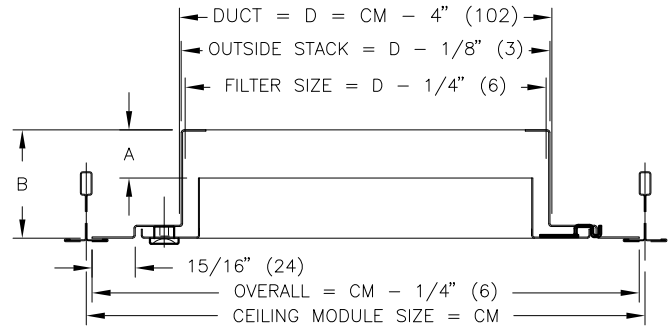
PROJECT:		<b>PRICE</b>	
ENGINEER:			10AFF ALUMINUM PERF. FACE FILTER RETURNS
CUSTOMER:			
SUBMITTAL DATE:	SPEC. SYMBOL:	2011/10/18	

**10FF STEEL FILTER GRILLES**

**MOUNTING/FASTENING:**



**SM SURFACE MOUNT**



**TB TEE BAR**

**NOTE:**

FOR SIDEWALL INSTALLATION, HINGE TABS MUST BE AT TOP.

**FILTER SIZE:**

- 1"** - FILTER FRAME ACCEPTS 1" FILTER
- 2"** - FILTER FRAME ACCEPTS 2" FILTER

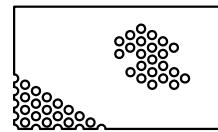
**DIMENSIONING SCHEDULE**

FILTER SIZE	A	B
1"	1" (25)	2 <sup>5</sup> / <sub>16</sub> " (59)
2"	2" (51)	3 <sup>5</sup> / <sub>16</sub> " (85)

**HINGE ORIENTATION:**

- HL** - HINGE TABS ARE PARALLEL TO LONG DIMENSION
- HS** - HINGE TABS ARE PARALLEL TO SHORT DIMENSION

**PERFORATED STEEL**



HOLES ARE STAGGERED  
3/16" (5) DIA. X 1/4" (6) O/C @ 60°

**MATERIAL:**

- STEEL CONSTRUCTION

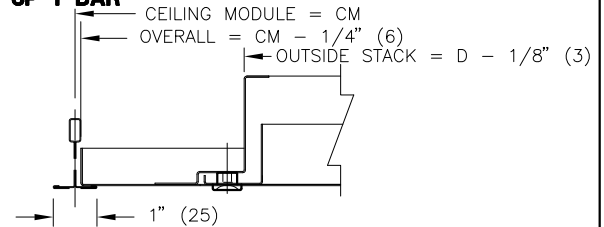
**FINISHES:**

- B12 WHITE (OPTIONAL FINISHES AVAILABLE)

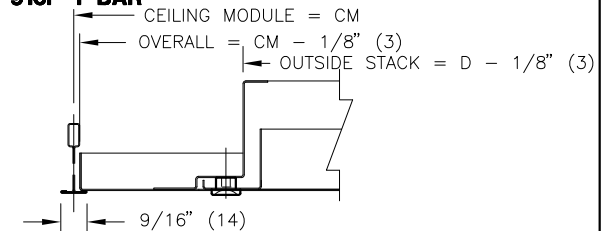
**NOTES:**

- SURFACE MOUNT: (LISTED SIZES ARE THE NOMINAL DUCT SIZES)  
MIN. SIZE - 8" x 4" (203 x 102)  
MAX. SIZE - 48" x 24" (1219 x 610)
- T-BAR LAY-IN MOUNT: (LISTED SIZES ARE THE CEILING MODULE SIZES)  
12" x 12" (305 x 305)  
24" x 12" (610 x 305)  
24" x 24" (610 x 610)  
48" x 24" (1219 x 610)
- 3P, 916P & 17P T-BAR LAY-IN PANEL MOUNTED :  
CEILING MODULE: 24" x 24" (610 x 610)  
INLET SIZE: MIN. 6" x 6" (152 x 152), MAX. 18" x 18" (457 x 457)  
CEILING MODULE: 48" x 24" (1219 x 610)  
INLET SIZE: MIN. 6" x 6" (152 x 152), MAX. 42" x 18" (1067 x 457)
- MOUNTING HOLES IN FILTER FRAME BY INSTALLER.
- QUARTER TURN FASTENER LOCATION PER FACTORY STANDARD.

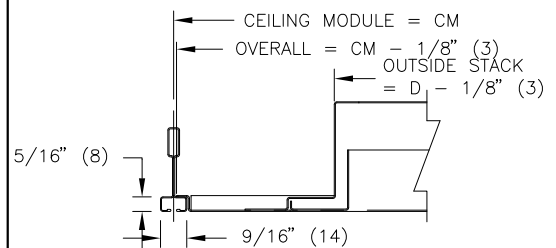
**3P T-BAR**



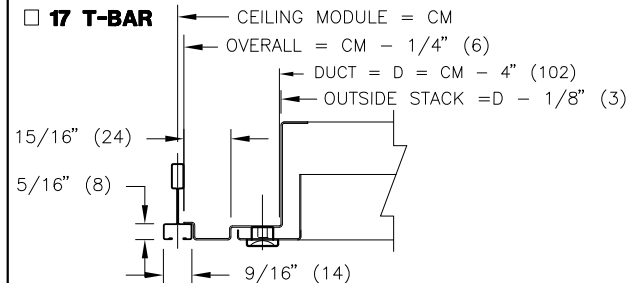
**916P T-BAR**



**17P FINELINE T-BAR**



**17 T-BAR**



ALL METRIC DIMENSIONS ( ) ARE SOFT CONVERTED. IMPERIAL DIMENSIONS ARE CONVERTED TO METRIC AND ROUNDED TO THE NEAREST MILLIMETER.

**PROJECT:**

**ENGINEER:**

**CUSTOMER:**

**SUBMITTAL DATE:**

**SPEC. SYMBOL:**



*RV*

259493

2011/10/14

**10FF**  
PERF. FACE  
FILTER GRILLES