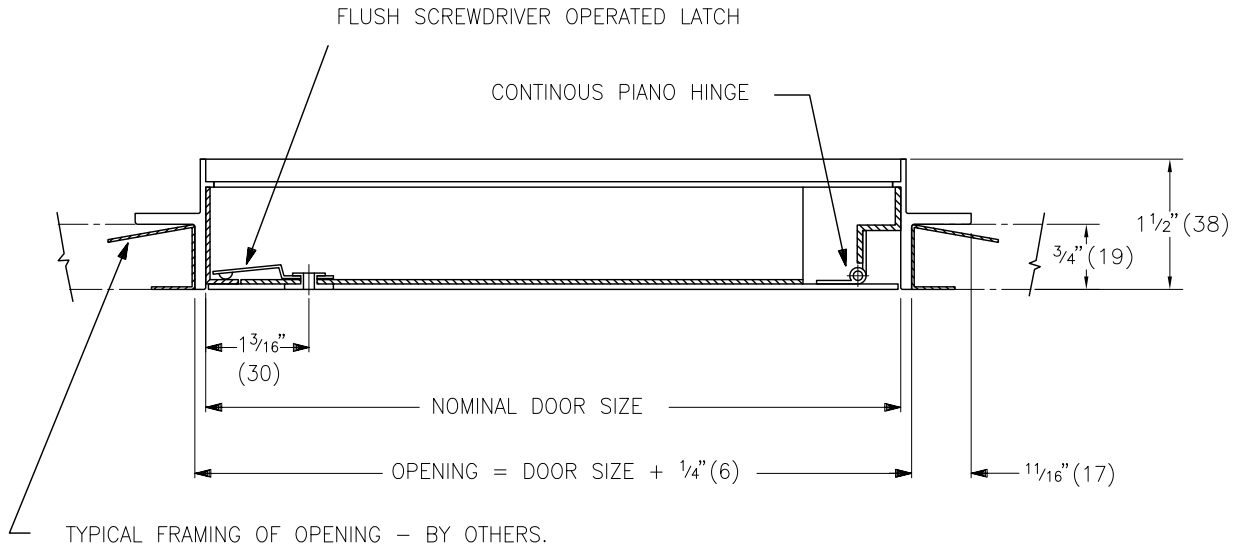


AD1 - ALUMINUM ACCESS DOOR



STYLE AD1 - FOR PLASTERED OR NON-PLASTERED WALLS

FINISH:

- B12 WHITE
(OPTIONAL FINISHES AVAILABLE)

MATERIAL:

- ALUMINUM CONSTRUCTION

NOTE:

ACCESS DOORS UP TO 12" (305) ARE SUPPLIED WITH ONE LATCH ASSEMBLY.

ACCESS DOORS OVER 12" (305) UP TO 24" (610) ARE SUPPLIED WITH TWO LATCH ASSEMBLIES AND REINFORCING ANGLES ON INSIDE OF DOOR PANEL.

ACCESS DOOR SIZES OVER 24" (610) ARE SUPPLIED WITH THREE LATCH ASSEMBLIES AND REINFORCING ANGLES.

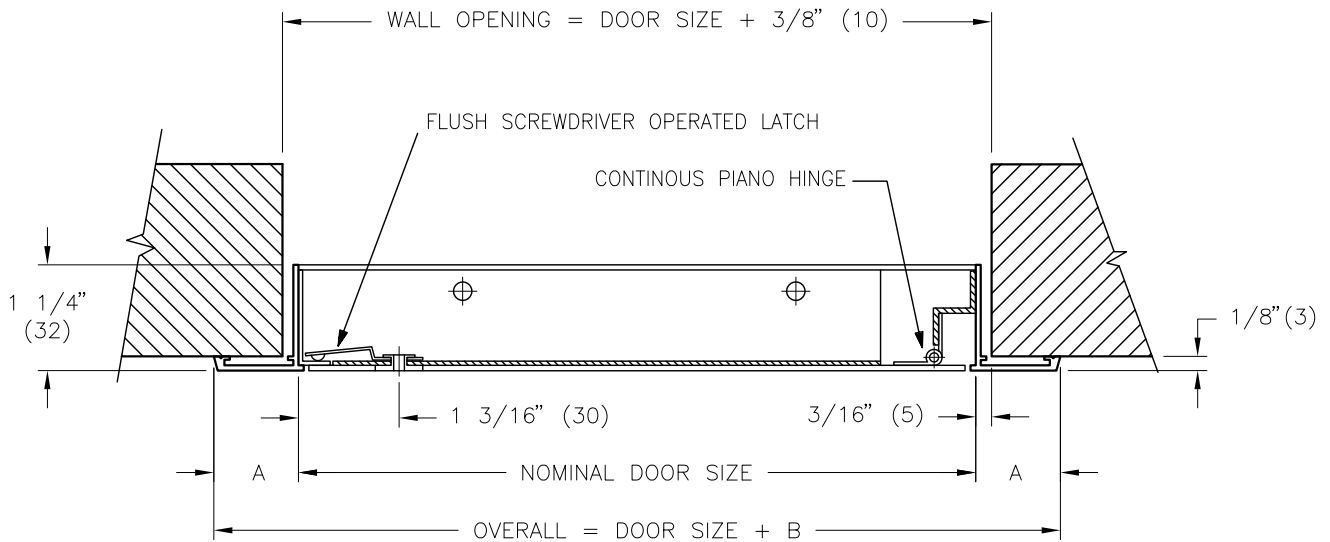
HINGE INSTALLED ON LONG DIMENSION OF ACCESS DOOR.

SIZE LIMITS:
 MINIMUM SIZE 6" x 6" (152x152)
 MAXIMUM SIZE 30" x 30" (762x762)
 FACTORY TOLERANCE ± 1/32" (1)

ALL METRIC DIMENSIONS () ARE SOFT CONVERTED. IMPERIAL DIMENSIONS ARE CONVERTED TO METRIC AND ROUNDED TO THE NEAREST MILLIMETER.

| | | | |
|------------------------|----------------------|---------------------------|-------------------------|
| PROJECT: | | PRICE [®] | |
| ENGINEER: | | <i>RV</i> | AD1 |
| CUSTOMER: | | 210449 | ALUMINUM ACCESS DOOR |
| SUBMITTAL DATE: | SPEC. SYMBOL: | 2010/06/23 | REV B |

AD3 - ALUMINUM ACCESS DOOR



STYLE AD3 - MASONRY, TILE & WALLBOARD

| BORDER/FRAME | A | B |
|--------------|-------------|-------------|
| 500 | 1/2" (13) | 1" (25) |
| 750 | 3/4" (19) | 1 1/2" (38) |
| 1000 | 1" (25) | 2" (51) |
| 1250 | 1 1/4" (32) | 2 1/2" (64) |

FINISH:

- B12 WHITE
(OPTIONAL FINISHES AVAILABLE)

MATERIAL:

- ALUMINUM CONSTRUCTION

FACTORY TOLERANCE: ± 1/32" (1)

NOTE:

ACCESS DOORS UP TO 12" (305) ARE SUPPLIED WITH ONE LATCH ASSEMBLY.

ACCESS DOORS OVER 12" (305) UP TO 24" (610) ARE SUPPLIED WITH TWO LATCH ASSEMBLIES AND REINFORCING ANGLES ON INSIDE OF DOOR PANEL.

ACCESS DOOR SIZES OVER 24" (610) ARE SUPPLIED WITH THREE LATCH ASSEMBLIES AND REINFORCING ANGLES.

HINGE INSTALLED ON LONG DIMENSION OF ACCESS DOOR.

SIZE LIMITS:
MINIMUM SIZE 6" x 6" (152x152)
MAXIMUM SIZE 30" x 30" (762x762)

ALL METRIC DIMENSIONS () ARE SOFT CONVERTED. IMPERIAL DIMENSIONS ARE CONVERTED TO METRIC AND ROUNDED TO THE NEAREST MILLIMETER.

| | | | |
|------------------------|----------------------|---------------------------|-------------------------|
| PROJECT: | | PRICE [®] | |
| ENGINEER: | | <i>RV</i> | AD3 |
| CUSTOMER: | | 210451 | ALUMINUM ACCESS DOOR |
| SUBMITTAL DATE: | SPEC. SYMBOL: | 2010/06/23 | |