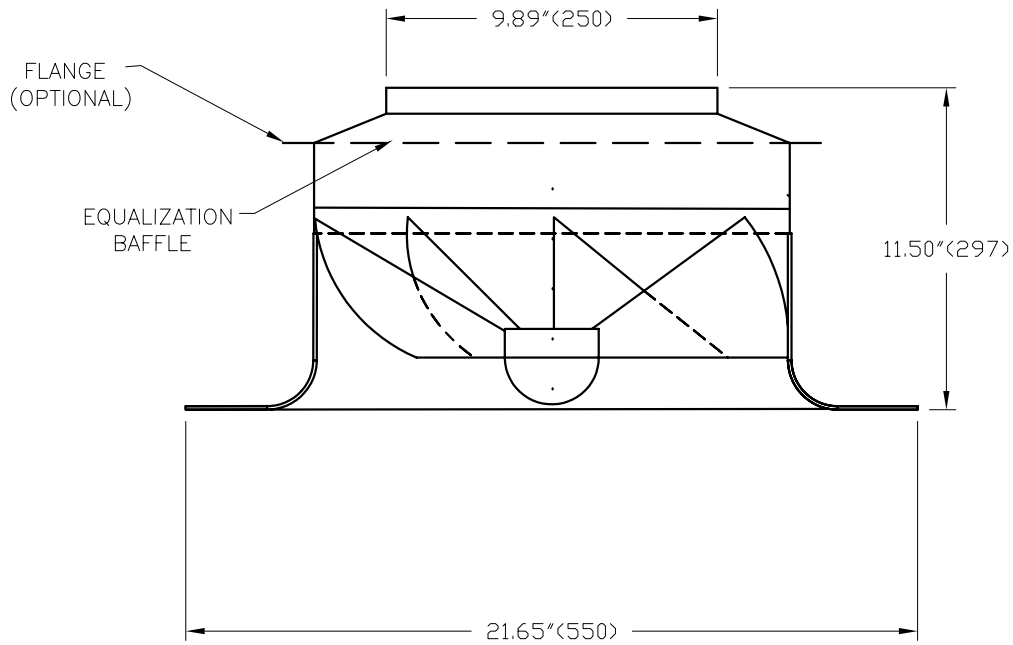


TDH TWIST DIFFUSER HORIZONTAL



MATERIAL:

- ALUMINUM

FINISH:

- POWDER COAT WHITE, RAL 9003

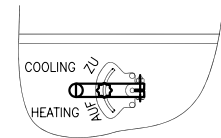
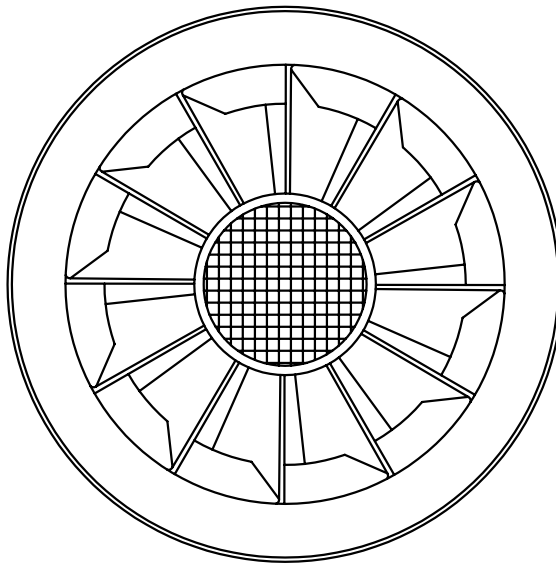
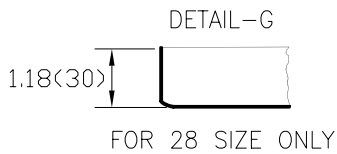
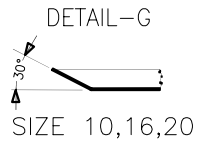
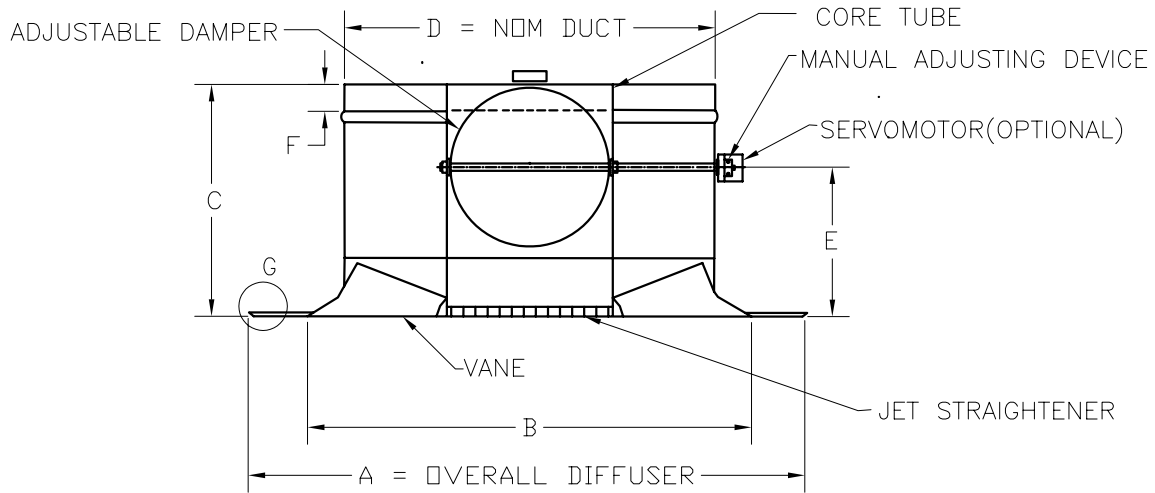
OPTIONS:

- SURFACE MOUNTING FLANGE

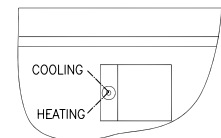
ALL METRIC DIMENSIONS () ARE SOFT CONVERTED. IMPERIAL DIMENSIONS ARE CONVERTED TO METRIC AND ROUNDED TO THE NEAREST MILLIMETER.

PROJECT:		PRICE [®]	
ENGINEER:		<i>RV</i>	TDH TWIST DIFFUSER HORIZONTAL
CUSTOMER:		244452	
SUBMITTAL DATE:	SPEC. SYMBOL:	JAN. 2007	

TDAC TWIST DIFFUSER -ADJUSTABLE WITH CORE



MANUAL ADJUSTING DEVICE
 ZU=CLOSED,AUF=OPEN



SERVOMOTOR
 (OPTION)

IMPERIAL / (METRIC) SCHEDULE

SIZE	NOM DIA	A	B	C	D	E	F
10	9.84(250)	14.76(375)	11.89(302)	7.87(200)	9.80(249)	5.00(127)	1.81(30)
16	15.75(400)	23.62(600)	18.98(482)	9.84(250)	15.71(399)	6.34(161)	1.38(35)
20	19.69(500)	29.53(750)	23.70(602)	11.57(294)	19.64(499)	7.20(183)	1.57(40)
28	27.95(710)	41.93(1065)	33.62(854)	15.12(385)	27.87(708)	9.01(229)	1.97(50)

OPTION:

- SERVOMOTOR(ELECTRICAL ADJUSTMENT)
- MANUAL ADJUSTMENT
- THERMOSTATIC ADJUSTMENT

MATERIAL:

- STEEL CONSTRUCTION

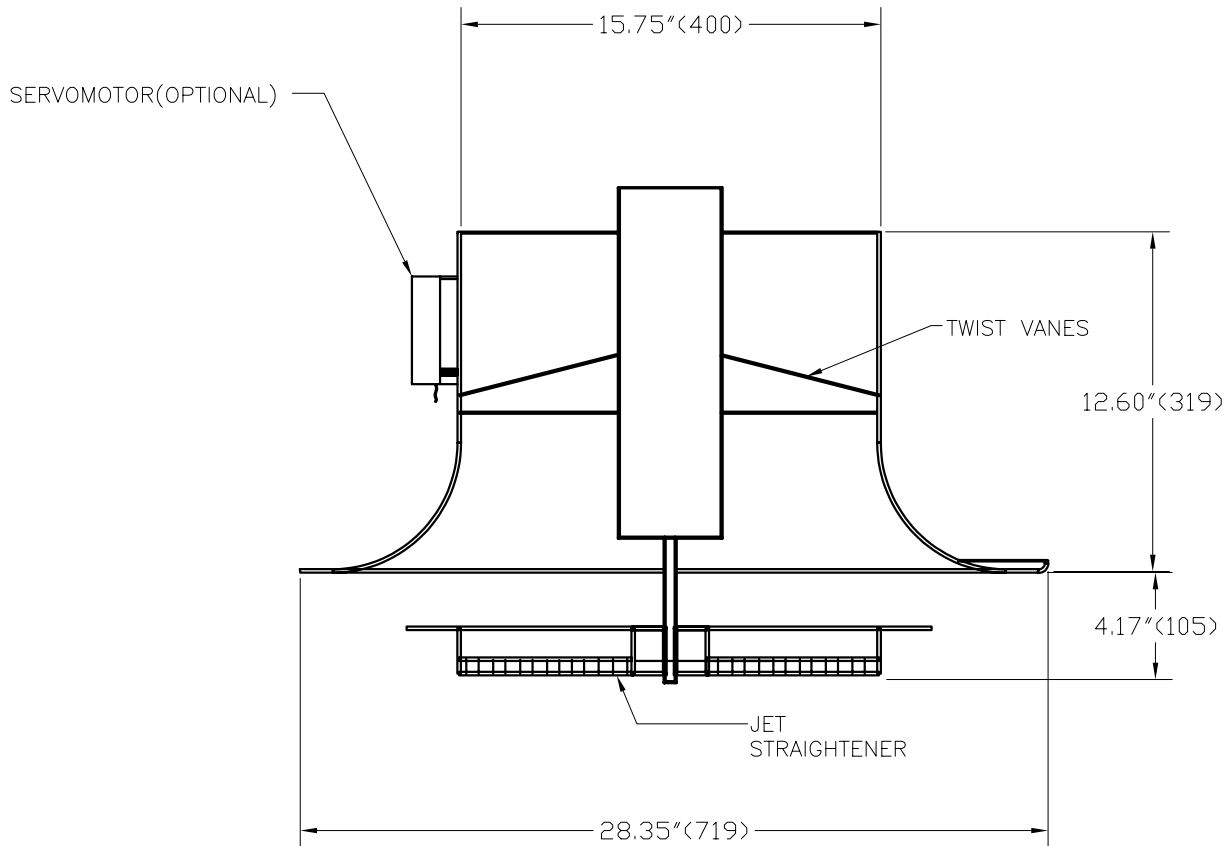
FINISH:

- POWDER COAT WHITE, RAL 9003

ALL METRIC DIMENSIONS () ARE SOFT CONVERTED. IMPERIAL DIMENSIONS ARE CONVERTED TO METRIC AND ROUNDED TO THE NEAREST MILLIMETER.

PROJECT:		PRICE [®]	
ENGINEER:			TDAC TWIST DIFFUSER ADJUSTABLE WITH CORE
CUSTOMER:		244453	
SUBMITTAL DATE:	SPEC. SYMBOL:	MARCH 2006	

TDAJ TWIST DIFFUSER -ADJUSTABLE WITH JET STRAIGHTENER



MATERIAL:

- STEEL CONSTRUCTION

FINISH:

- POWDER COAT WHITE, RAL 9003

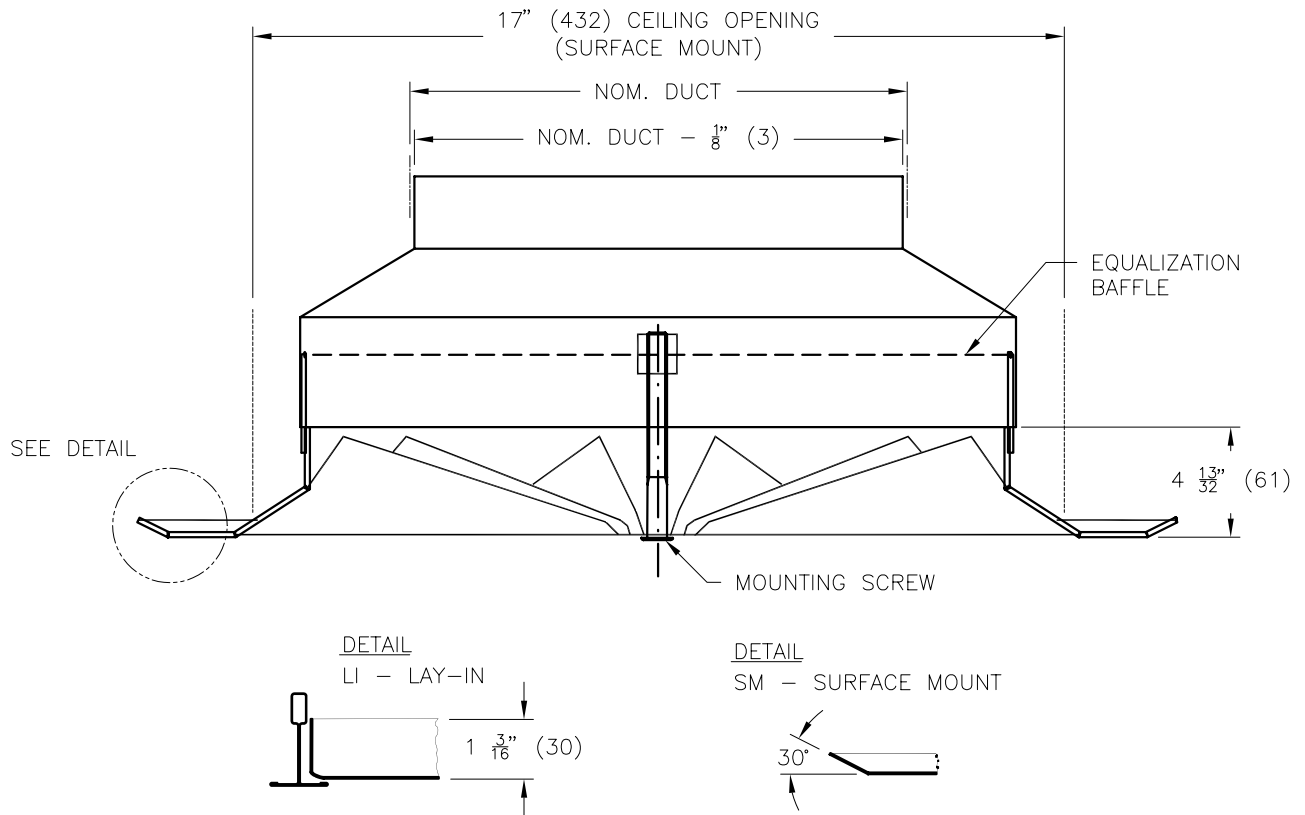
OPTIONS:

- SERVOMOTOR (ELECTRICAL ADJUSTMENT)
- MANUAL ADJUSTMENT

ALL METRIC DIMENSIONS () ARE SOFT CONVERTED. IMPERIAL DIMENSIONS ARE CONVERTED TO METRIC AND ROUNDED TO THE NEAREST MILLIMETER.

PROJECT:		PRICE [®]	
ENGINEER:		<i>RV</i>	TDAJ TWIST DIFFUSER ADJUSTABLE WITH JET STRAIGHTENER
CUSTOMER:		244462	
SUBMITTAL DATE:	SPEC. SYMBOL:	JAN. 2007	

RDH RADIAL DIFFUSER - HORIZONTAL



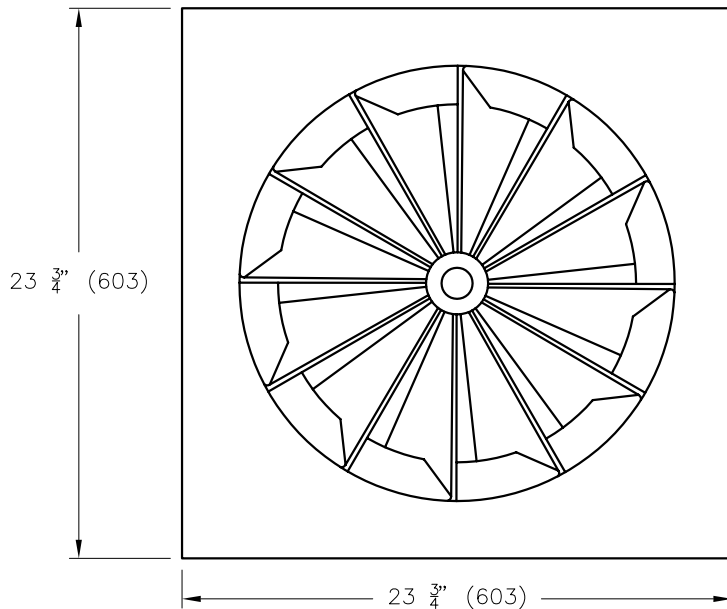
NOM. DUCT SIZE D
10" (254)
12" (305)
14" (356)

MATERIAL :

- STEEL FACE

FINISH :

- POWDER COAT, RAL 9003



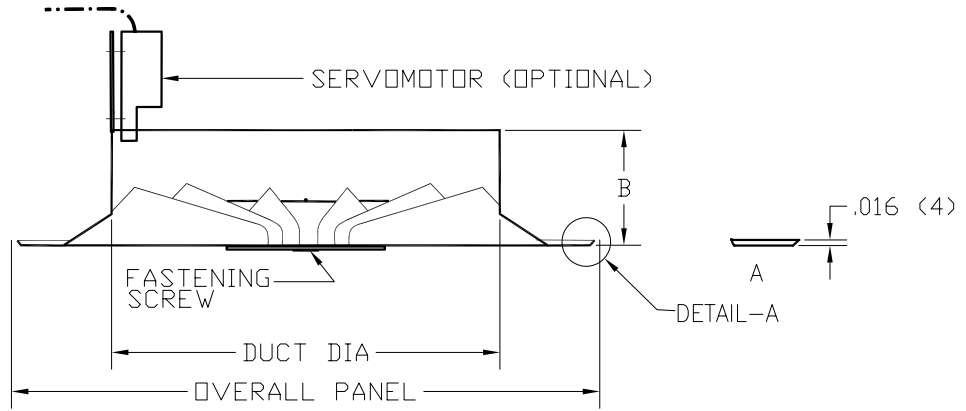
ALL METRIC DIMENSIONS () ARE SOFT CONVERTED. IMPERIAL DIMENSIONS ARE CONVERTED TO METRIC AND ROUNDED TO THE NEAREST MILLIMETER.

PROJECT:		PRICE [®]	
ENGINEER:		<i>RV</i>	RDH RADIAL DIFFUSER HORIZONTAL
CUSTOMER:		244463	
SUBMITTAL DATE:	SPEC. SYMBOL:	2006/03/01	

RDA RADIAL DIFFUSER - ADJUSTABLE

STYLE

- SURFACE MOUNT
- DUCT MOUNT

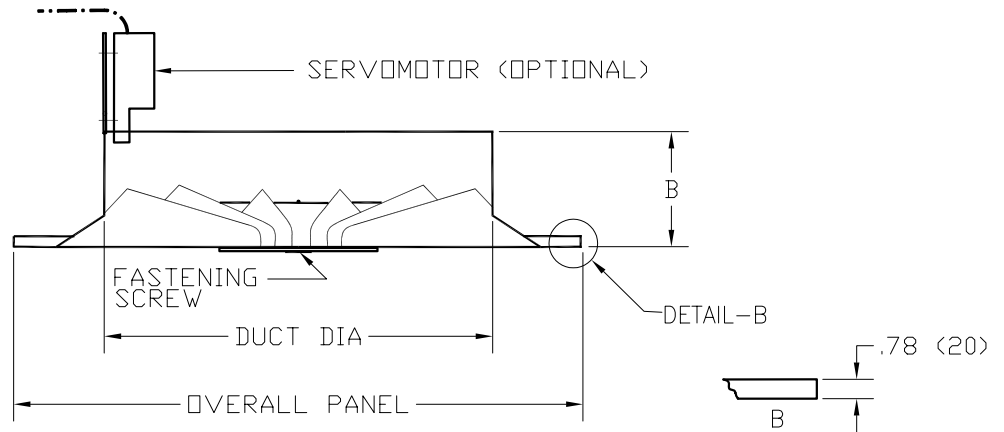


IMPERIAL / (METRIC) SCHEDULE

SIZE	DUCT DIA	OVERALL DIFFUSER	B
10	9.84 (250)	14.76 (374)	3.38 (86)
14	13.98 (355)	20.86 (530)	4.21 (107)
20	19.69 (500)	29.52 (750)	5.35 (136)

STYLE

- LAY-IN PANEL MOUNT



IMPERIAL / (METRIC) SCHEDULE

SIZE	DUCT DIA	OVERALL PANEL	B
10	9.84 (250)	23.75 X 23.75 SQ (603 X 603 SQ)	3.38 (86)

MATERIAL:

- STEEL CONSTRUCTION


FINISH:

- POWDER COAT WHITE, RAL 9003

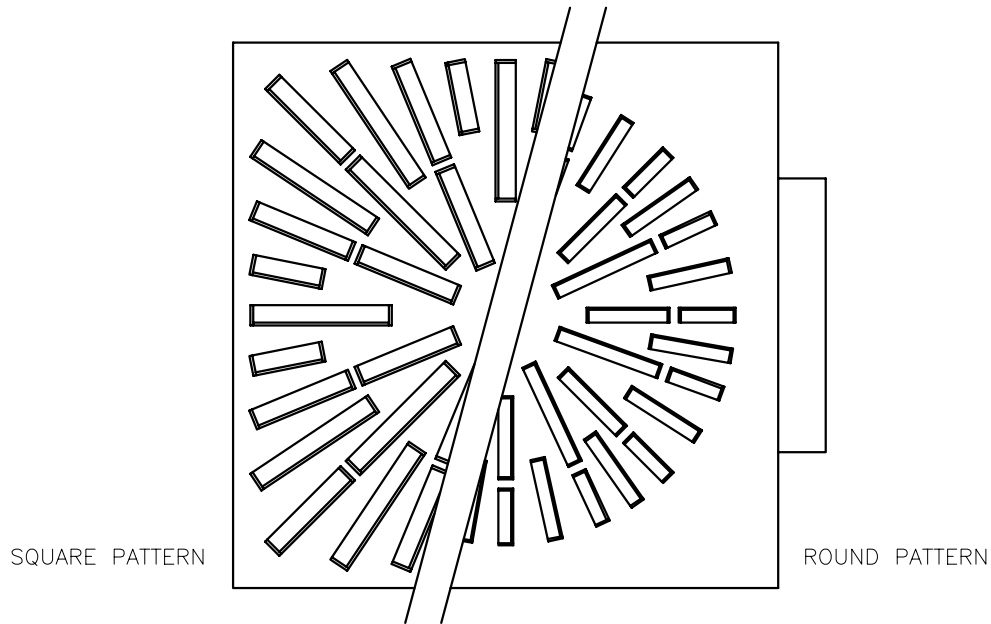
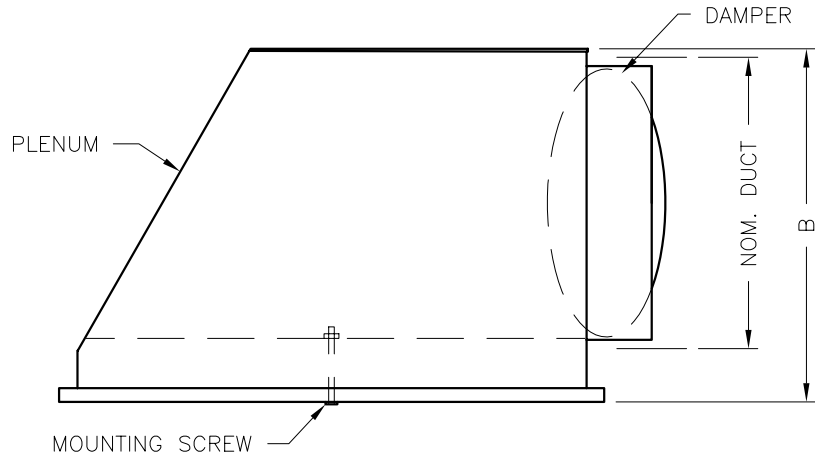
OPTIONS:

- SERVOMOTOR (ELECTRICAL ADJUSTMENT)
- MANUAL ADJUSTMENT

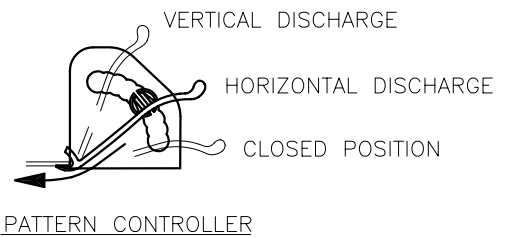
ALL METRIC DIMENSIONS () ARE SOFT CONVERTED. IMPERIAL DIMENSIONS ARE CONVERTED TO METRIC AND ROUNDED TO THE NEAREST MILLIMETER.

PROJECT:		PRICE [®]	
ENGINEER:		 244465	RDA RADIAL DIFFUSER ADJUSTABLE
CUSTOMER:			
SUBMITTAL DATE:	SPEC. SYMBOL:	JAN. 2007	

RSD - RADIAL SLOT DIFFUSER



FACE SIZE A	NOM. DUCT D	B
12" x 12" (305 x 305)	6" ϕ (152)	9 ³ / ₈ " (238)
20" x 20" (508 x 508)	10" ϕ (254)	13 ⁵ / ₁₆ " (338)
24" x 24" (610 x 610)	12 ¹ / ₂ " ϕ (305)	15 ⁷ / ₈ " (403)



MATERIAL :

- STEEL FACE
- COATED STEEL PLENUM
- POLYCARBONATE PATTERN CONTROLLERS

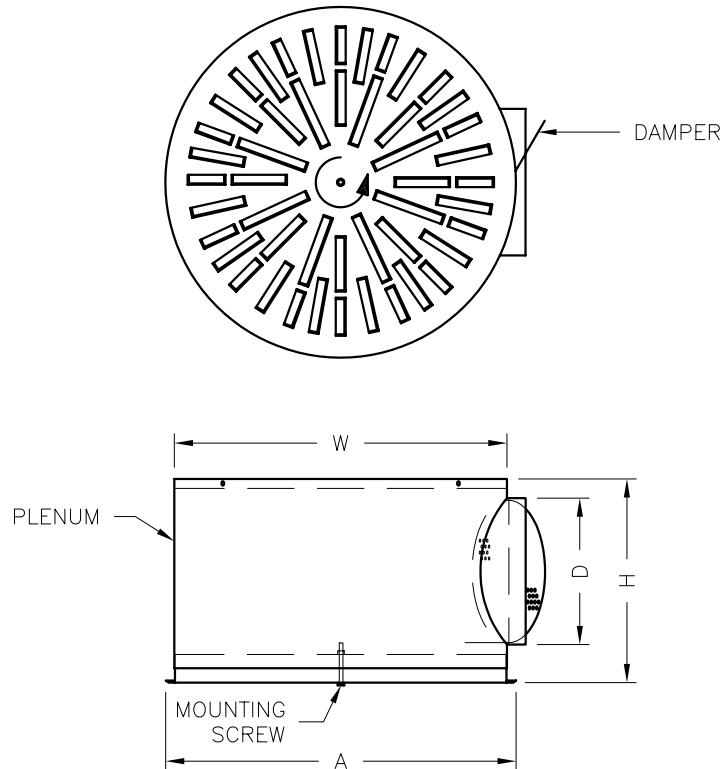
FINISH :

- FACE - POWDER COAT WHITE, RAL 9003
- PLENUM - MILL FINISH

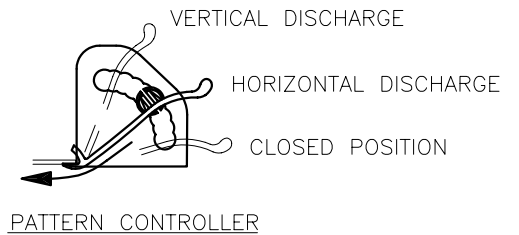
ALL METRIC DIMENSIONS () ARE SOFT CONVERTED. IMPERIAL DIMENSIONS ARE CONVERTED TO METRIC AND ROUNDED TO THE NEAREST MILLIMETER.

PROJECT:		PRICE [®]	
ENGINEER:		<i>RV</i>	RSD RADIAL SLOT DIFFUSER
CUSTOMER:		245974	
SUBMITTAL DATE:	SPEC. SYMBOL:	2006/12/11	

RSDR - RADIAL SLOT DIFFUSER WITH ROUND FACE



NOM. DUCT D	OVERALL A	W	H
6" ϕ (152)	18 1/2" ϕ (470)	15 13/16" (402)	12 5/8" (321)
10" ϕ (254)	23 5/8" ϕ (600)	22 1/8" (562)	14 9/16" (370)
12 1/2" ϕ (305)	29 1/2" ϕ (750)	28" (711)	17 1/8" (435)



MATERIAL :

- STEEL FACE
- COATED STEEL PLENUM
- POLYCARBONATE PATTERN CONTROLLERS

FINISH :

- FACE - POWDER COAT WHITE, RAL 9003
- PLENUM - MILL FINISH

ALL METRIC DIMENSIONS () ARE SOFT CONVERTED. IMPERIAL DIMENSIONS ARE CONVERTED TO METRIC AND ROUNDED TO THE NEAREST MILLIMETER.

PROJECT:		PRICE [®]	
ENGINEER:		<i>RV</i>	RSDR RADIAL SLOT DIFFUSER ROUND FACE
CUSTOMER:		245975	
SUBMITTAL DATE:	SPEC. SYMBOL:	2006/12/11	