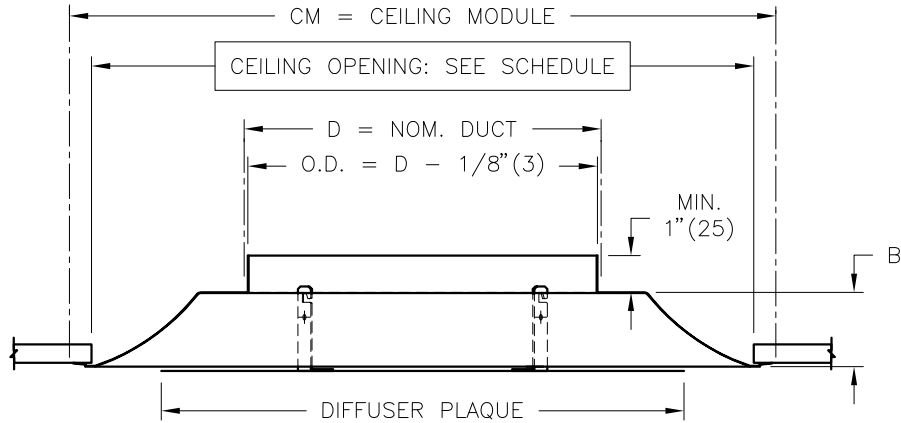


SPD, ASPD SQUARE PLAQUE DIFFUSER



IMPERIAL UNITS (Inches)

	CM	CEILING OPENING	B	DUCT SIZE
<input type="checkbox"/>	24x24	22x22	2½	6,8,10,12,14,15
<input type="checkbox"/>	20x20	18x18	2½	6,8,10
<input type="checkbox"/>	12x12	10½x10½	1⅛	4,5,6,7,8

SI UNITS (mm)

	CM	CEILING OPENING	B	DUCT SIZE
<input type="checkbox"/>	600x600	549x549	64	152,203,254,305,356,381
<input type="checkbox"/>	500x500	449x449	64	152,203,254
<input type="checkbox"/>	300x300	249x249	29	102,127,152,178,203

MATERIAL:

- SPD – STEEL CONSTRUCTION
- ASPD – ALUMINUM CONSTRUCTION (STYLE 31 & 17 ONLY)

FINISH:

- B12 WHITE (OPTIONAL FINISHES AVAILABLE)

OPTION:

- AFI – ½” FIBERGLASS WITH FOIL/SCRIM VAPOR BARRIER INSULATED BACKPAN (31 T-BAR, 20x20 & 500x500 ONLY)
- R6 – MOLDED INSULATED BACKPAN (31 T-BAR, 12x12, 300x300, 24x24 & 600x600 OR 4TS CLIP ON RECESSED SPLINE 24x24)
- BN – BEADED INLET NECK, WITH EXTENDED DEPTH (2½”) (AVAILABLE FOR SPD ONLY)

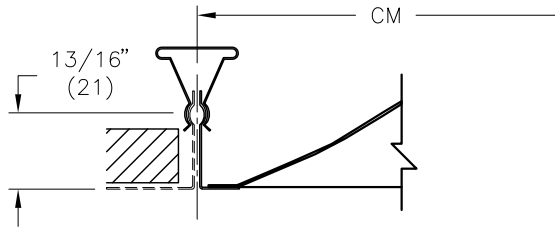
ALL METRIC DIMENSIONS () ARE SOFT CONVERTED. IMPERIAL DIMENSIONS ARE CONVERTED TO METRIC AND ROUNDED TO THE NEAREST MILLIMETER.

PROJECT:		PRICE [®]	
ENGINEER:			SPD, ASPD SQUARE PLAQUE DIFFUSER
CUSTOMER:		218786	
SUBMITTAL DATE:	SPEC. SYMBOL:	2010/10/18	

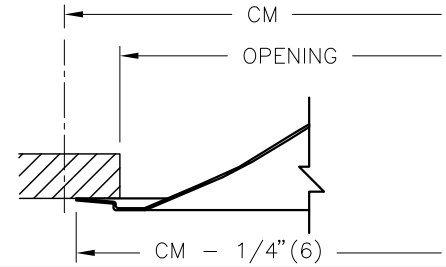
SPD, ASPD SQUARE PLAQUE DIFFUSER

FRAMES: FOR CM 24x24, 12x12, 600x600 & 300x300

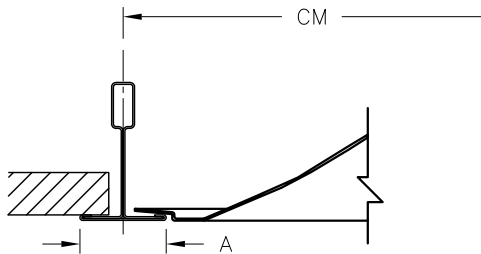
2 SNAP-IN



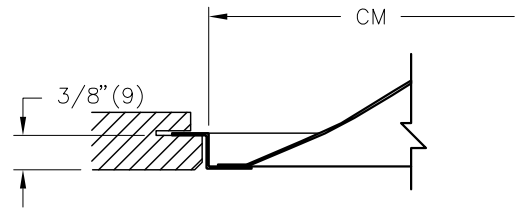
31 SURFACE MOUNT



31 T-BAR A = 1" (25) or 9/16" (14)

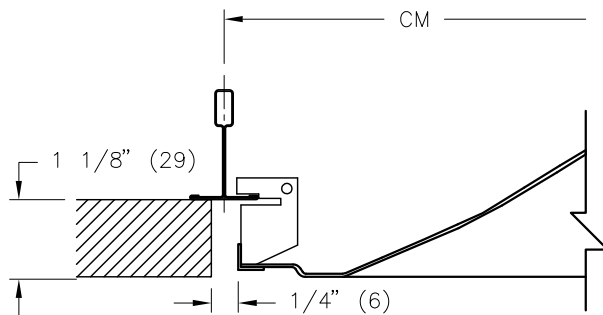


4 SPLINE

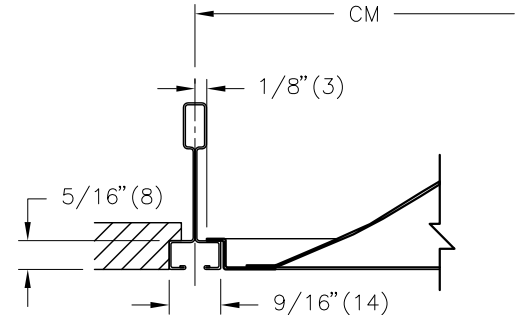


SPLINES ON TWO OPPOSITE SIDES ONLY

4TS CLIP ON RECESSED SPLINE (24x24 ONLY)

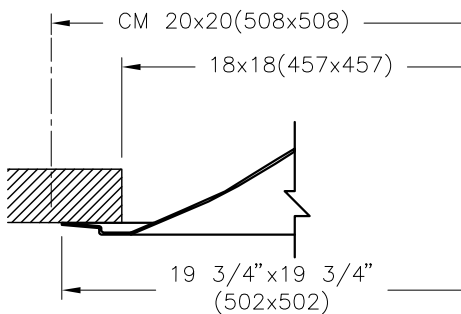


17 NARROW MEMBER

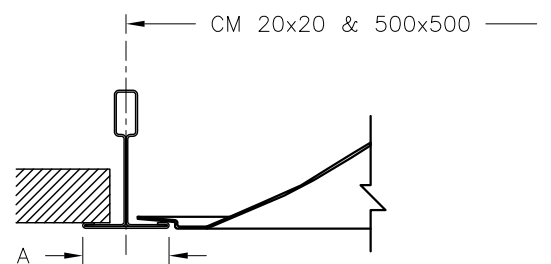


FRAMES: FOR CM 20x20 & 500x500 ONLY

31 SURFACE MOUNT



31 T-BAR A = 1" (25) or 9/16" (14)



ALL METRIC DIMENSIONS () ARE SOFT CONVERTED. IMPERIAL DIMENSIONS ARE CONVERTED TO METRIC AND ROUNDED TO THE NEAREST MILLIMETER.

PROJECT:



ENGINEER:

RV

SPD, ASPD
SQUARE PLAQUE DIFFUSER

CUSTOMER:

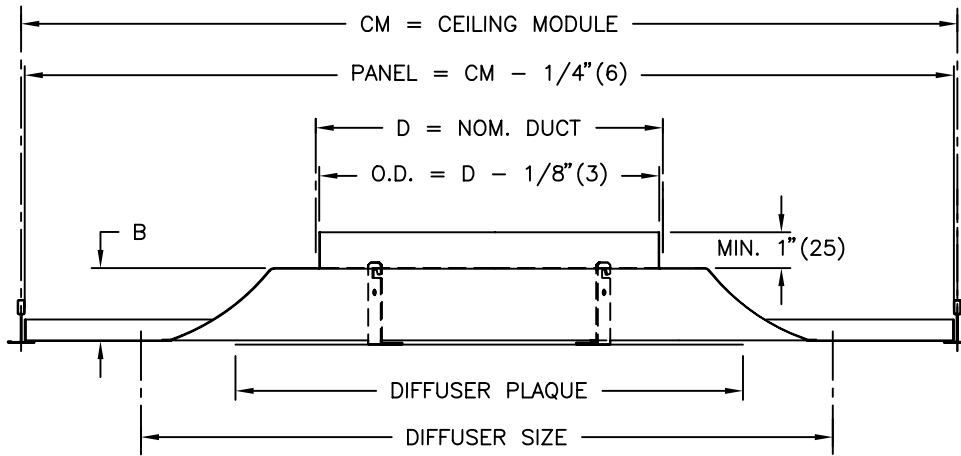
218786

SUBMITTAL DATE:

SPEC. SYMBOL:

2010/10/18

SPD/P SQUARE PLAQUE PANEL DIFFUSER



PLAN VIEW	CM = NOM. PANEL SIZE MODULES	
	IMPERIAL	SI (mm)
<input type="checkbox"/>	48x24	1200x600
<input type="checkbox"/>	30x30	750x750
<input type="checkbox"/>	24x12	600x300
<input type="checkbox"/>	48x12	1200x300
<input type="checkbox"/>	20x20 24x24	500x500 600x600

DIFFUSER SIZE	B	DUCT SIZE
24x24 600x600	2½ (64)	6,8,10,12,14,15 (152,203,254,305,356,381)
12x12 300x300	1⅞ (29)	4,5,6,7,8 (102,127,152,178,203)

MATERIAL:

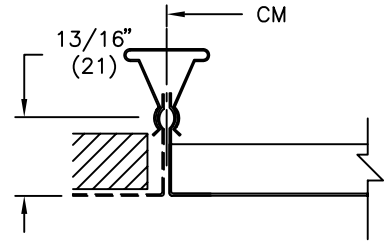
- SPD/P – STEEL CONSTRUCTION

FINISH:

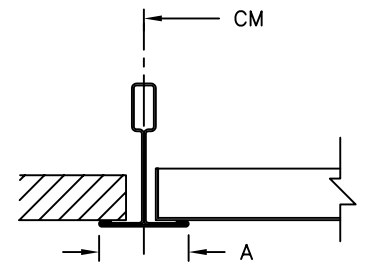
- B12 WHITE (OPTIONAL FINISHES AVAILABLE)

PANELS:

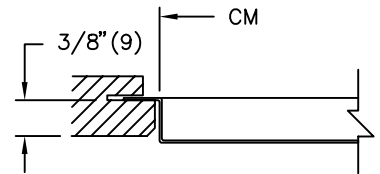
2P SNAP-IN



3P T-BAR A = 1" (25) or 9/16" (14)

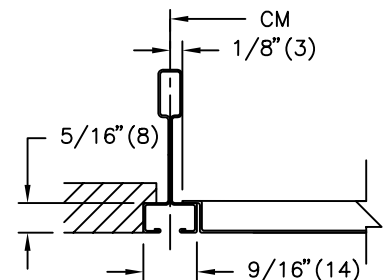


4P SPLINE



SPLINES ON TWO OPPOSITE SIDES ONLY SPECIFY WHICH SIDES

17P NARROW MEMBER



ALL METRIC DIMENSIONS () ARE SOFT CONVERTED. IMPERIAL DIMENSIONS ARE CONVERTED TO METRIC AND ROUNDED TO THE NEAREST MILLIMETER.

PROJECT:

ENGINEER:

CUSTOMER:

SUBMITTAL DATE:

SPEC. SYMBOL:



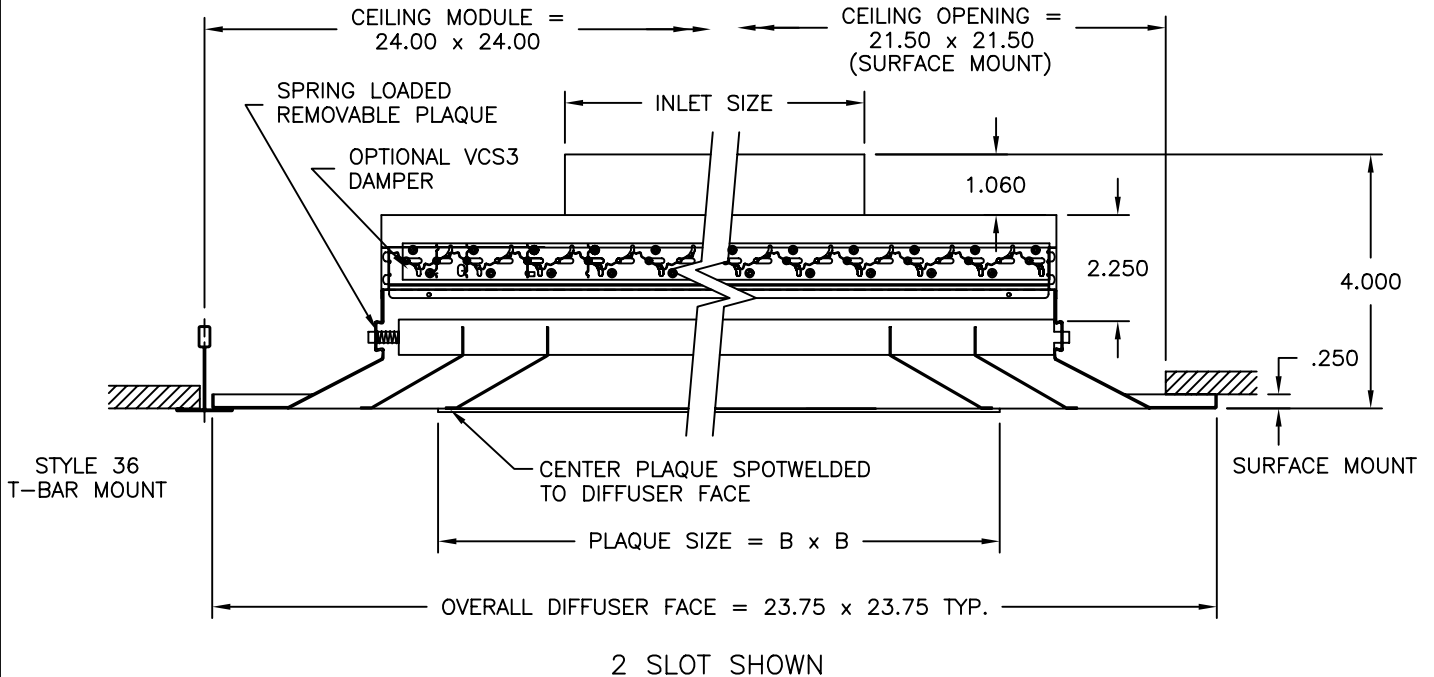
Handwritten signature

219151

JULY 2003

SPD/P
SQUARE PLAQUE DIFFUSER
PANEL MOUNTED

**SMDP 24" X 24" MODULAR
PLAQUE FACE CEILING DIFFUSER**



3 SLOT	4.500	12.675
2 SLOT	3.000	15.675
1 SLOT	1.500	18.675
Slot Qty.	A	B

MATERIAL:

- DIFFUSER & PLAQUE: STEEL CONSTRUCTION
- PLENUM: SATINCOAT STEEL

INLET SIZES:

- 6", 8", 9", 10", 12", 14", AND 15" (SR SUPPLIED)
- SQUARE 18"x18" (SUPPLIED WITHOUT PLENUM)

FINISH:

- DIFFUSER & PLAQUE: B12 WHITE (OPTIONAL FINISHES AVAILABLE)
- PLENUM: MILL FINISH

OPTIONAL DAMPERS ROUND:


- SR8E FULL FLOW DAMPER DIFFUSER MOUNTED (6" TO 15" ROUND)
- SR9 RADIAL TYPE DAMPER DIFFUSER MOUNTED (6" TO 12" ROUND)
- SR3 - VCS3 WITH SR DAMPER

OPTIONAL DAMPERS SQUARE:

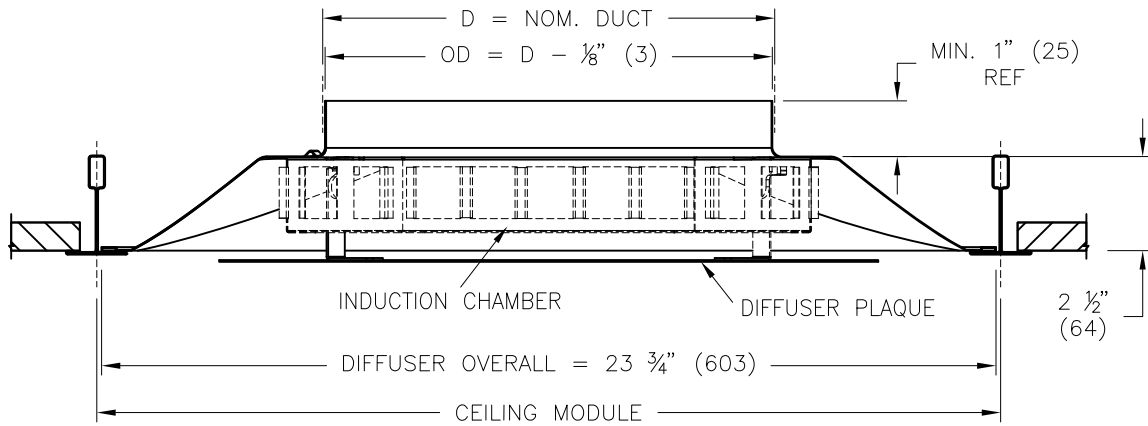
- 3 (18"x18") OPPOSED BLADE DAMPER STEEL.

NOTES:

- FACTORY TOLERANCE : ± 1/32"

PROJECT:		PRICE[®]	
ENGINEER:		 242146	SMDP 24" x 24" MODULAR PLAQUE FACE CEILING DIFFUSER
CUSTOMER:			
SUBMITTAL DATE:	SPEC. SYMBOL:	DEC 2004	

**SPD HI SQUARE PLAQUE DIFFUSER
HIGH INDUCTION**



CEILING MODULE	NOMINAL ROUND DUCT				
24 X 24	6	8	10	12	14
600 X 600	152	203	254	305	356

NOTES:

- T-BAR ONLY

MATERIAL:

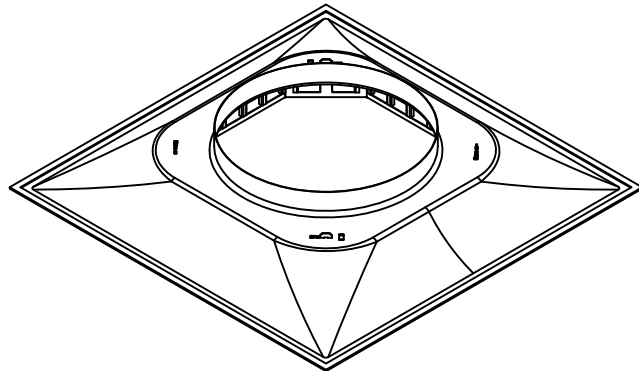
- STEEL CONSTRUCTION

FINISH:

- B12 WHITE
(OPTIONAL FINISHES AVAILABLE)

OPTIONS:

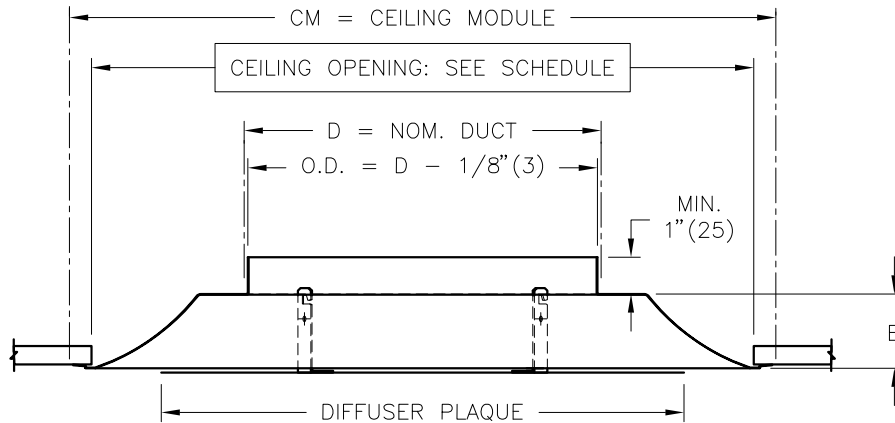
- R6 - INSULATED BACKPAN



ALL METRIC DIMENSIONS () ARE SOFT CONVERTED. IMPERIAL DIMENSIONS ARE CONVERTED TO METRIC AND ROUNDED TO THE NEAREST MILLIMETER.

PROJECT:		PRICE [®]	
ENGINEER:		<i>RV</i>	SPD HI SQUARE PLAQUE DIFFUSER HIGH INDUCTION
CUSTOMER:		244510	
SUBMITTAL DATE:	SPEC. SYMBOL:	2009/09/30	

SPD AS - ALUMINIZED STEEL SQUARE PLAQUE DIFFUSER



IMPERIAL UNITS (Inches)

	CM	CEILING OPENING	B	DUCT SIZE
<input type="checkbox"/>	24x24	22x22	2½	6,8,10,12,14,15
<input type="checkbox"/>	20x20	18x18	2½	6,8,10
<input type="checkbox"/>	12x12	10½x10½	1⅞	4,5,6,7,8

SI UNITS (mm)

	CM	CEILING OPENING	B	DUCT SIZE
<input type="checkbox"/>	600x600	549x549	64	152,203,254,305,356,381
<input type="checkbox"/>	500x500	449x449	64	152,203,254
<input type="checkbox"/>	300x300	249x249	29	102,127,152,178,203

MATERIAL:

ALUMINIZED STEEL CONSTRUCTION

FINISH:

B12 WHITE
(OPTIONAL FINISHES AVAILABLE)

OPTION:

- AFI - ½" FIBERGLASS WITH FOIL/SCRIM VAPOR BARRIER INSULATED BACKPAN (STYLE 31 T-BAR 20x20 & 500x500 ONLY)
- R6 - MOLDED INSULATED BACKPAN (STYLE 31 T-BAR 12x12, 300x300, 24x24 & 600x600 OR STYLE 4TS CLIP ON RECESSED SPLINE 24x24)

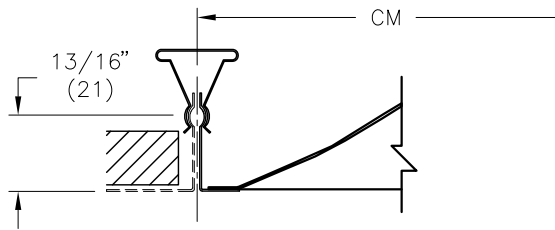
ALL METRIC DIMENSIONS () ARE SOFT CONVERTED. IMPERIAL DIMENSIONS ARE CONVERTED TO METRIC AND ROUNDED TO THE NEAREST MILLIMETER.

PROJECT:		PRICE [®]	
ENGINEER:			SPD AS ALUMINIZED STEEL SQUARE PLAQUE DIFFUSER
CUSTOMER:		244534	
SUBMITTAL DATE:	SPEC. SYMBOL:	2010/10/18	

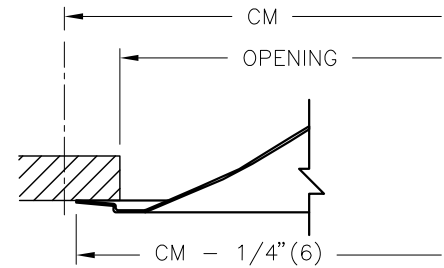
SPD AS - ALUMINIZED STEEL SQUARE PLAQUE DIFFUSER

FRAMES: FOR CM 24x24, 12x12, 600x600 & 300x300

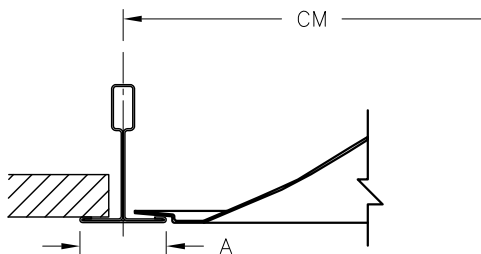
2 SNAP-IN



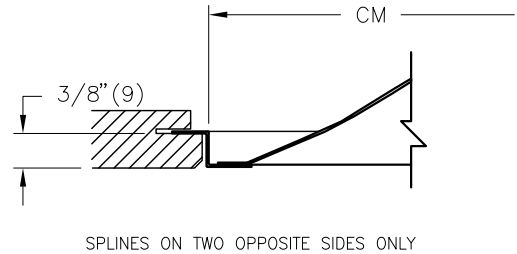
31 SURFACE MOUNT



31 T-BAR A = 1" (25) or 9/16" (14)

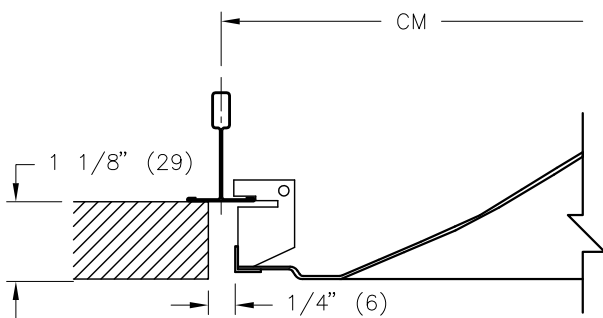


4 SPLINE

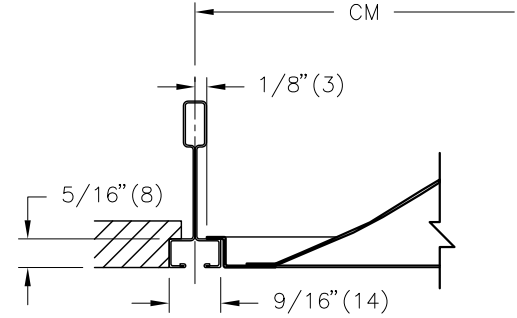


SPLINES ON TWO OPPOSITE SIDES ONLY

4TS CLIP ON RECESSED SPLINE (24x24 ONLY)

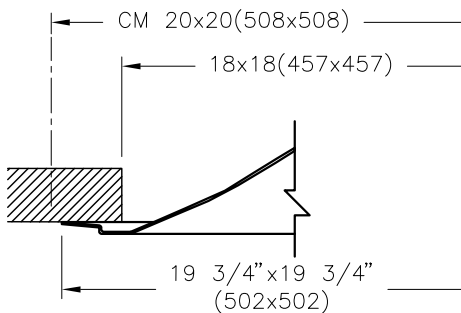


17 NARROW MEMBER

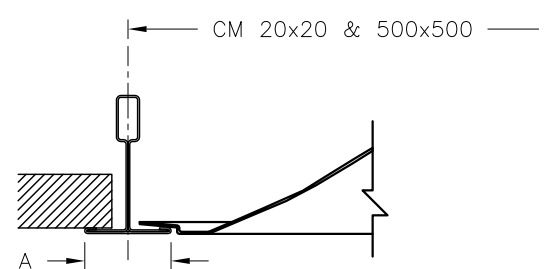


FRAMES: FOR CM 20x20 & 500x500 ONLY

31 SURFACE MOUNT



31 T-BAR A = 1" (25) or 9/16" (14)



ALL METRIC DIMENSIONS () ARE SOFT CONVERTED. IMPERIAL DIMENSIONS ARE CONVERTED TO METRIC AND ROUNDED TO THE NEAREST MILLIMETER.

PROJECT:



ENGINEER:

RV

CUSTOMER:

244534

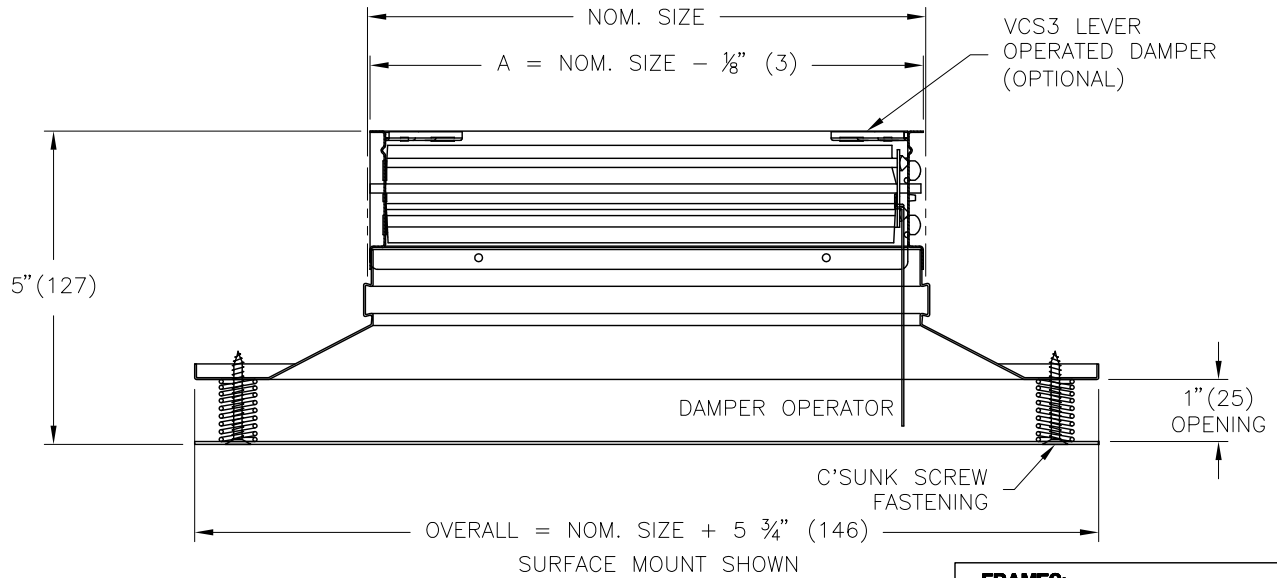
SUBMITTAL DATE:

SPEC. SYMBOL:

2010/10/18

SPD AS
ALUMINIZED STEEL
SQUARE PLAQUE DIFFUSER

PLAQUE DIFFUSER EXTENDED FACE



NOM. SIZE	CEILING MODULE	OVERALL SIZE	CEILING OPENING	A
6 X 6	24.000 X 24.000	11.750	9.500	5.875
9 X 9	24.000 X 24.000	14.750	12.500	8.875
12 X 12	24.000 X 24.000	17.750	15.500	11.875
15 X 15	24.000 X 24.000	20.750	18.500	14.875
*18 X 18	-	23.750	21.500	17.875
*21 X 21	-	26.750	24.500	20.875

* NOT AVAILABLE WITH 3P PANEL

FINISH:

- B12 WHITE
- (OPTIONAL FINISHES AVAILABLE)

OPTIONS:

- C/W VCS3 LEVER OPERATED DAMPER.

MATERIAL:

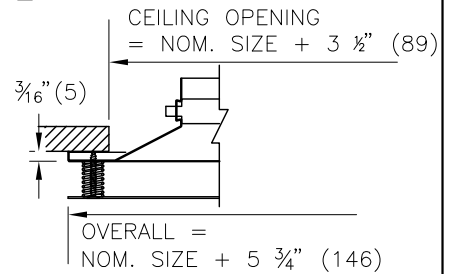
- STEEL CONSTRUCTION

NOTES:

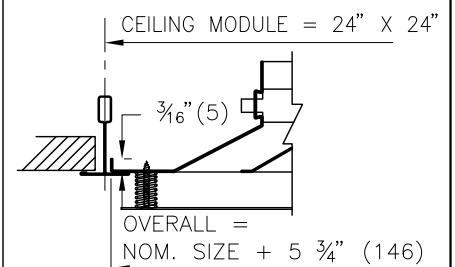
- FACTORY TOLERANCE ±.031

FRAMES:

- 1 SURFACE MOUNT**

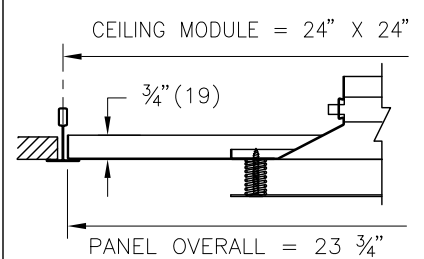


- 36 T-BAR**




PANELS:

- 3P T-BAR**



ALL METRIC DIMENSIONS () ARE SOFT CONVERTED. IMPERIAL DIMENSIONS ARE CONVERTED TO METRIC AND ROUNDED TO THE NEAREST MILLIMETER.

PROJECT:		PRICE [®]	
ENGINEER:			PDE
CUSTOMER:		255927	PLAQUE DIFFUSER
SUBMITTAL DATE:	SPEC. SYMBOL:	2010/12/01	