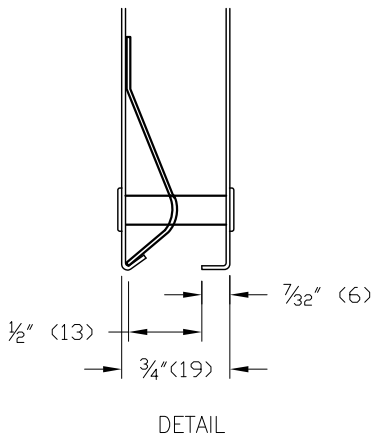
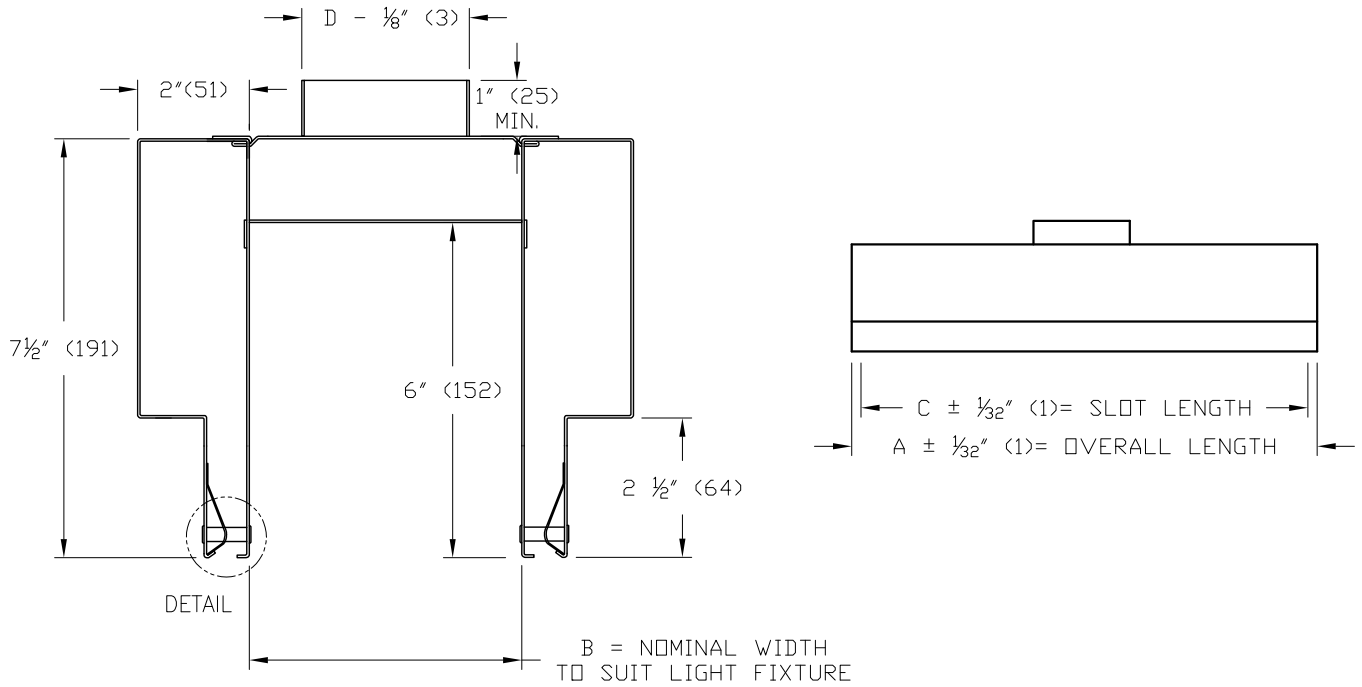


MODEL LTF LIGHT TROFFER



MODEL	NOM. WIDTH	INLET SIZE	IMPERIAL UNITS		SI UNITS	
	B		A	C	A	C
12	12"	5,6,7,8	17	16 1/4	432	413
13	12"	5,6,7,8	25 1/4	24 1/2	641	622
14	12"	5,6,7,8	41 3/4	41	1061	1041
22	24"	5,6,7,8	17	16 1/4	432	413
23	24"	5,6,7,8	25 1/4	24 1/2	641	622
24	24"	5,6,7,8	41 3/4	41	1061	1041
33	36"	5,6,7,8	25 1/4	24 1/2	641	622
44	48"	5,6,7,8	41 3/4	41	1061	1041

NOTES:

- END TABS ARE STANDARD

MATERIAL: COATED STEEL


FINISH: MILL FINISH

- FACTORY TOLERANCE: $\pm 1/32"$ (1)

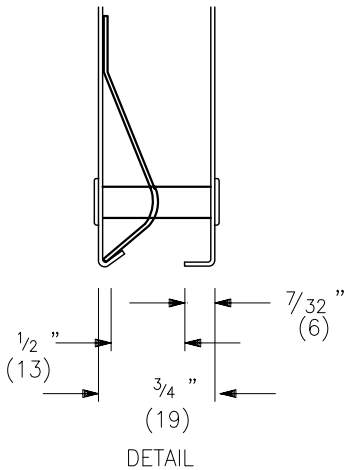
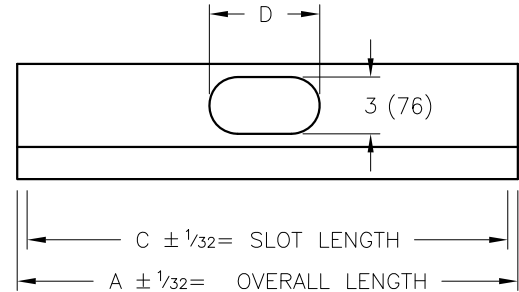
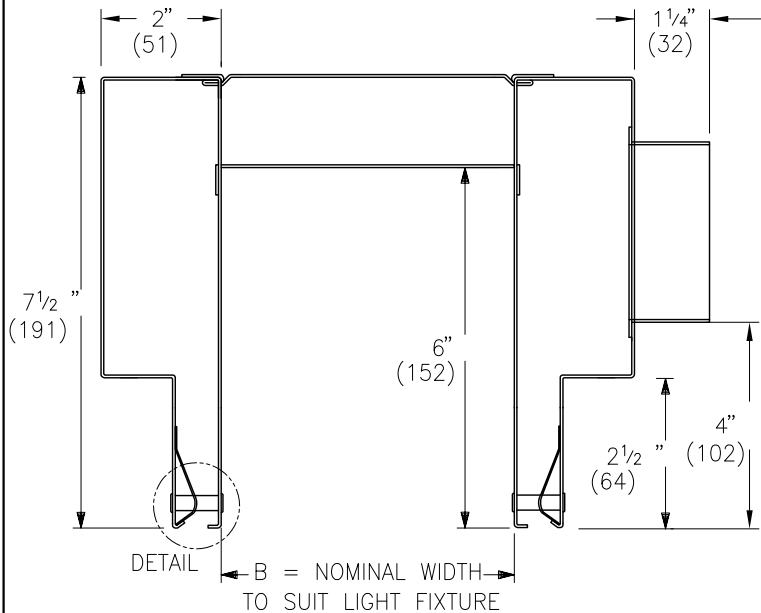
OPTIONS:

- UNITS SHIPPED KNOCKED DOWN FOR FIELD ASSEMBLY (KD)
- EXTERNAL FOIL-BACKED INSULATION (AFI)
- BLACK FACE SLOT (BFS)

ALL METRIC DIMENSIONS () ARE SOFT CONVERTED. IMPERIAL DIMENSIONS ARE CONVERTED TO METRIC AND ROUNDED TO THE NEAREST MILLIMETER.

PROJECT:		PRICE [®]	
ENGINEER:			LTF LIGHT TROFFER FIXED PATTERN CONTROLLER
CUSTOMER:		223854	
SUBMITTAL DATE:	SPEC. SYMBOL:	2010/03/26	

MODEL LTFLP LIGHT TROFFER



MODEL	NOM. WIDTH B	NOM. ROUND INLET SIZE	IMPERIAL UNITS		SI UNITS	
			A	C	A	C
12LP	12"	5,6,7	17	16 1/4	432	413
13LP	12"	5,6,7	25 1/4	24 1/2	641	622
14LP	12"	5,6,7	41 3/4	41	1061	1041
22LP	24"	5,6,7	17	16 1/4	432	413
23LP	24"	5,6,7	25 1/4	24 1/2	641	622
24LP	24"	5,6,7	41 3/4	41	1061	1041
33LP	36"	5,6,7	25 1/4	24 1/2	641	622
44LP	48"	5,6,7	41 3/4	41	1061	1041

NOTES:

- END TABS ARE STANDARD
- ROUND EQUIVALENT FOR OVAL INLET

ROUND	OVAL(3xD)	OVAL(76xD)
5	3x6	76x127
6	3x7.56	76x152
7	3x9.125	76x178

MATERIAL: COATED STEEL

FINISH: MILL FINISH

- FACTORY TOLERANCE: ± 1/32" (1)

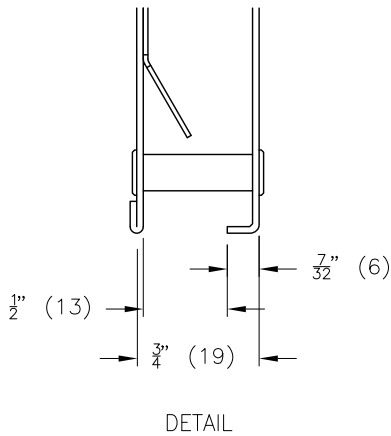
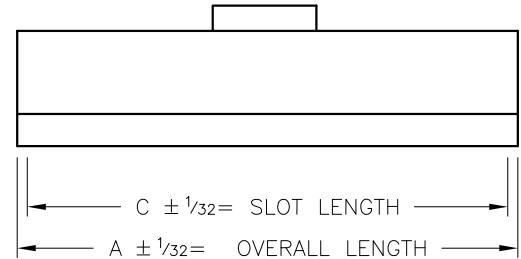
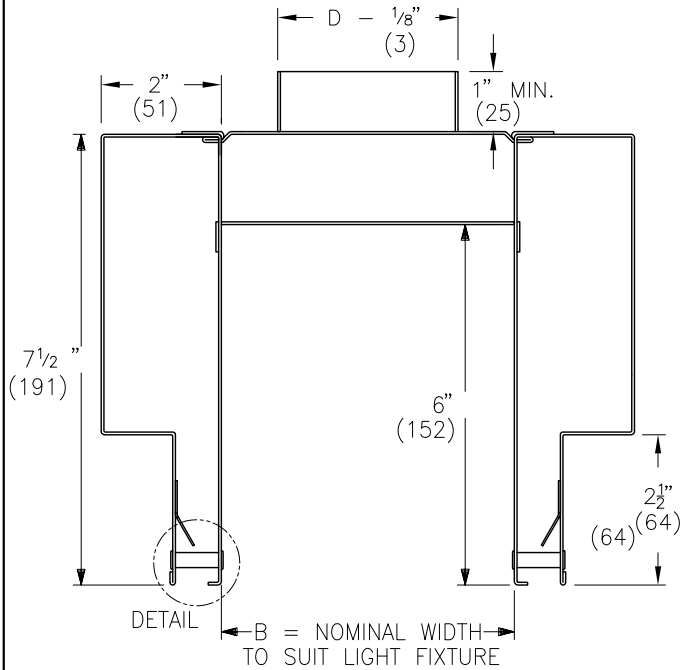
OPTIONS:

- UNITS SHIPPED KNOCKED DOWN FOR FIELD ASSEMBLY (KD)
- EXTERNAL FOIL-BACKED INSULATION (AFI)
- BLACK FACE SLOT (BFS)
- ADJUSTABLE CROSSOVER
 - 8-13 (SELECT 14LP ONLY)
 - 13-23 (SELECT 22LP, 23LP & 24LP ONLY)
 - 23-29 (SELECT 33LP & 44LP ONLY)

ALL METRIC DIMENSIONS () ARE SOFT CONVERTED. IMPERIAL DIMENSIONS ARE CONVERTED TO METRIC AND ROUNDED TO THE NEAREST MILLIMETER.

PROJECT:		PRICE [®]	
ENGINEER:		<i>RV</i>	LTFLP LIGHT TROFFER FIXED PATTERN CONTROLLER LOW PROFILE
CUSTOMER:		223855	
SUBMITTAL DATE:	SPEC. SYMBOL:	2010/07/09	

MODEL LTA LIGHT TROFFER



MODEL	NOM. WIDTH	INLET SIZE	IMPERIAL UNITS		SI UNITS	
	B	D	A	C	A	C
12	12"	5,6,7,8	17	16 1/4	432	413
13	12"	5,6,7,8	25 1/4	24 1/2	641	622
14	12"	5,6,7,8	41 3/4	41	1061	1041
22	24"	5,6,7,8	17	16 1/4	432	413
23	24"	5,6,7,8	25 1/4	24 1/2	641	622
24	24"	5,6,7,8	41 3/4	41	1061	1041
33	36"	5,6,7,8	25 1/4	24 1/2	641	622
44	48"	5,6,7,8	41 3/4	41	1061	1041

NOTES:

- END TABS ARE STANDARD
- MATERIAL:** COATED STEEL
- FINISH:** MILL FINISH
- FACTORY TOLERANCE: $\pm 1/32"$ (1)

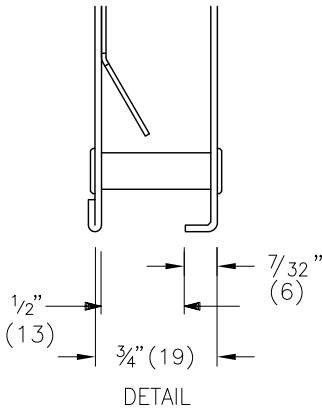
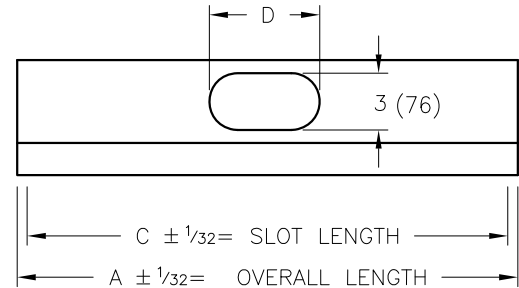
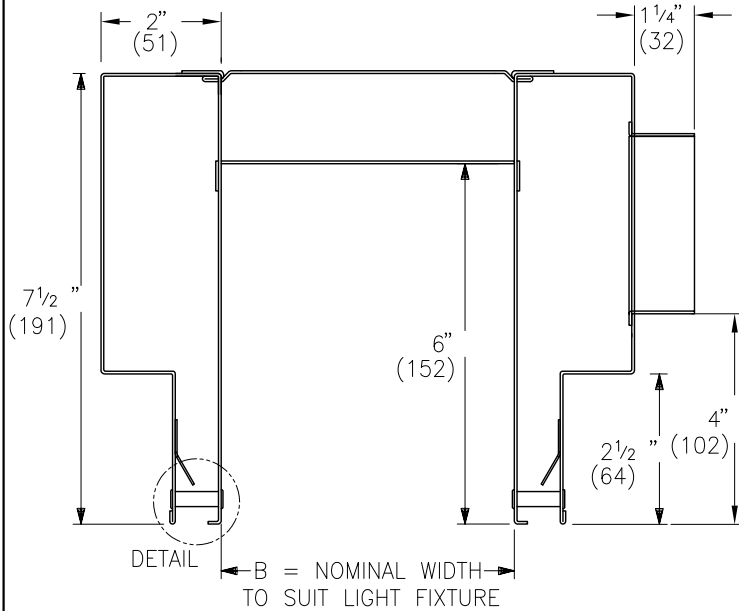
OPTIONS:

- REVERSE LIP, WITH PATTERN CONTROLLERS TO INSIDE (RL)
- UNITS SHIPPED KNOCKED DOWN FOR FIELD ASSEMBLY (KD)
- EXTERNAL FOIL-BACKED INSULATION (AFI)
- BLACK FACE SLOT (BFS)

ALL METRIC DIMENSIONS () ARE SOFT CONVERTED. IMPERIAL DIMENSIONS ARE CONVERTED TO METRIC AND ROUNDED TO THE NEAREST MILLIMETER.

PROJECT:		PRICE®	
ENGINEER:		<i>RV</i>	LTA LIGHT TROFFER ADJUSTABLE PATTERN CONTROLLER
CUSTOMER:			
SUBMITTAL DATE:	SPEC. SYMBOL:	2010/11/18	

MODEL LTALP LIGHT TROFFER



MODEL	NOM. WIDTH B	NOM. ROUND INLET SIZE	IMPERIAL UNITS		SI UNITS	
			A	C	A	C
12LP	12"	5,6,7	17	16 1/4	432	413
13LP	12"	5,6,7	25 1/4	24 1/2	641	622
14LP	12"	5,6,7	41 3/4	41	1061	1041
22LP	24"	5,6,7	17	16 1/4	432	413
23LP	24"	5,6,7	25 1/4	24 1/2	641	622
24LP	24"	5,6,7	41 3/4	41	1061	1041
33LP	36"	5,6,7	25 1/4	24 1/2	641	622
44LP	48"	5,6,7	41 3/4	41	1061	1041

NOTES:

- END TABS ARE STANDARD
- ROUND EQUIVALENT FOR OVAL INLET

ROUND	OVAL (3xD)	OVAL (76xD)
5	3x6	76x127
6	3x7.56	76x152
7	3x9.125	76x178

MATERIAL: COATED STEEL

FINISH: MILL FINISH

- FACTORY TOLERANCE: ± 1/32" (1)

ALL METRIC DIMENSIONS () ARE SOFT CONVERTED. IMPERIAL DIMENSIONS ARE CONVERTED TO METRIC AND ROUNDED TO THE NEAREST MILLIMETER.

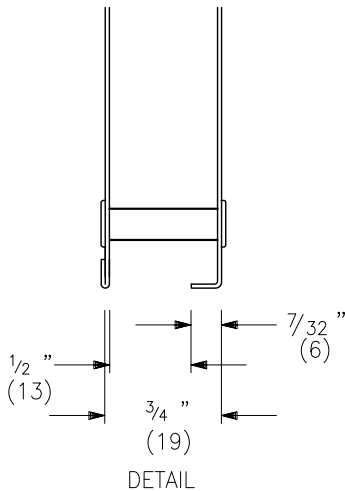
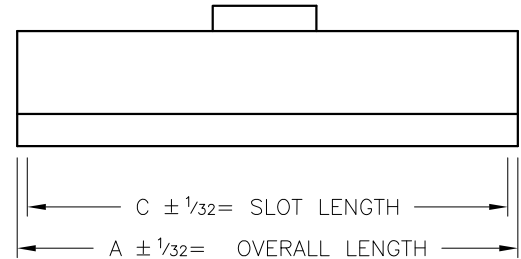
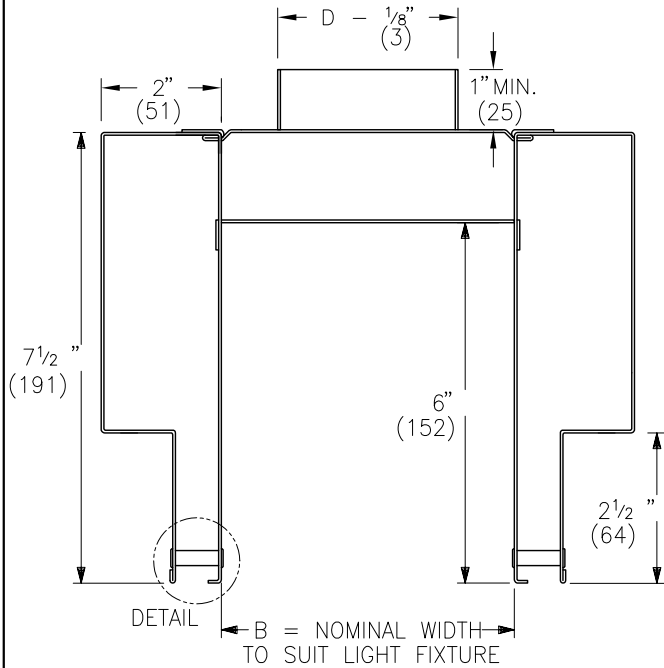
OPTIONS:

- REVERSE LIP, WITH PATTERN CONTROLLERS TO INSIDE (RL)
- UNITS SHIPPED KNOCKED DOWN FOR FIELD ASSEMBLY (KD)
- EXTERNAL FOIL-BACKED INSULATION (AFI)
- BLACK FACE SLOT (BFS)
- ADJUSTABLE CROSSOVER

<input type="checkbox"/> 8-13 (SELECT 14LP ONLY)
<input type="checkbox"/> 13-23 (SELECT 22LP, 23LP & 24LP ONLY)
<input type="checkbox"/> 23-29 (SELECT 33LP & 44LP ONLY)

PROJECT:		PRICE [®]	
ENGINEER:		 223857	LTALP LIGHT TROFFER ADJUSTABLE PATTERN CONTROLLER LOW PROFILE
CUSTOMER:			
SUBMITTAL DATE:	SPEC. SYMBOL:	2010/11/22	

MODEL LTN LIGHT TROFFER



MODEL	NOM. WIDTH	INLET SIZE	IMPERIAL UNITS		SI UNITS	
	B		A	C	A	C
12	12"	5,6,7,8	17	16 1/4	432	413
13	12"	5,6,7,8	25 1/4	24 1/2	641	622
14	12"	5,6,7,8	41 3/4	41	1061	1041
22	24"	5,6,7,8	17	16 1/4	432	413
23	24"	5,6,7,8	25 1/4	24 1/2	641	622
24	24"	5,6,7,8	41 3/4	41	1061	1041
33	36"	5,6,7,8	25 1/4	24 1/2	641	622
44	48"	5,6,7,8	41 3/4	41	1061	1041

NOTES:

- END TABS ARE STANDARD

MATERIAL: COATED STEEL

FINISH: MILL FINISH

- FACTORY TOLERANCE: $\pm 1/32"$ (1)

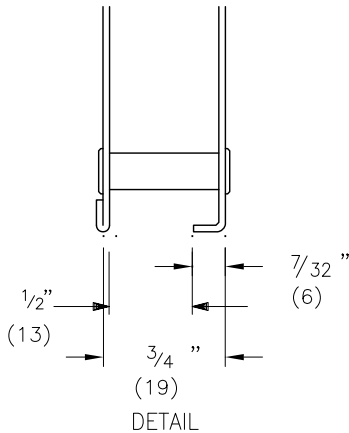
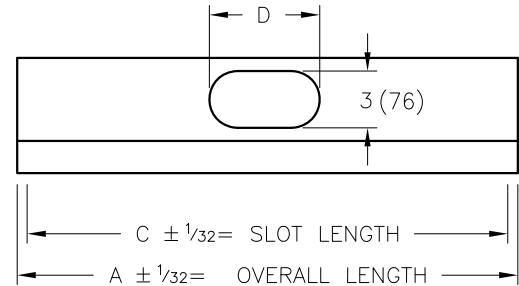
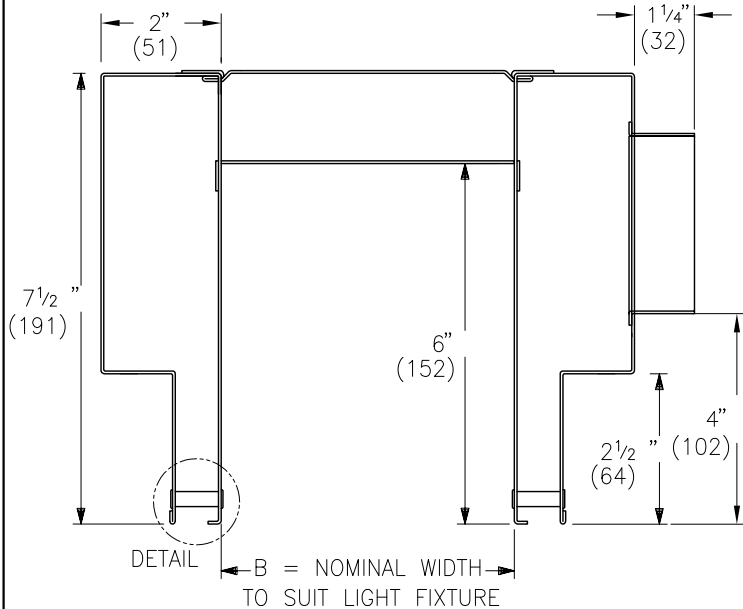
OPTIONS:

- UNITS SHIPPED KNOCKED DOWN FOR FIELD ASSEMBLY (KD)
- EXTERNAL FOIL-BACKED INSULATION (AFI)
- BLACK FACE SLOT (BFS)

ALL METRIC DIMENSIONS () ARE SOFT CONVERTED. IMPERIAL DIMENSIONS ARE CONVERTED TO METRIC AND ROUNDED TO THE NEAREST MILLIMETER.

PROJECT:		PRICE [®]	
ENGINEER:		<i>RV</i>	LTN LIGHT TROFFER W/O PATTERN CONTROLLER
CUSTOMER:		223858	
SUBMITTAL DATE:	SPEC. SYMBOL:	2010/03/26	

MODEL LTNLP LIGHT TROFFER



MODEL	NOM. WIDTH	NOM. ROUND INLET SIZE	IMPERIAL UNITS		SI UNITS	
	B		A	C	A	C
12LP	12"	5,6,7	17	16 1/4	432	413
13LP	12"	5,6,7	25 1/4	24 1/2	641	622
14LP	12"	5,6,7	41 3/4	41	1061	1041
22LP	24"	5,6,7	17	16 1/4	432	413
23LP	24"	5,6,7	25 1/4	24 1/2	641	622
24LP	24"	5,6,7	41 3/4	41	1061	1041
33LP	36"	5,6,7	25 1/4	24 1/2	641	622
44LP	48"	5,6,7	41 3/4	41	1061	1041

NOTES:

- END TABS ARE STANDARD
- ROUND EQUIVALENT FOR OVAL INLET

ROUND	OVAL (3xD)	OVAL (76xD)
5	3x6	76x127
6	3x7.56	76x152
7	3x9.125	76x178

MATERIAL: COATED STEEL

FINISH: MILL FINISH

- FACTORY TOLERANCE: ± 1/32" (1)

ALL METRIC DIMENSIONS () ARE SOFT CONVERTED. IMPERIAL DIMENSIONS ARE CONVERTED TO METRIC AND ROUNDED TO THE NEAREST MILLIMETER.

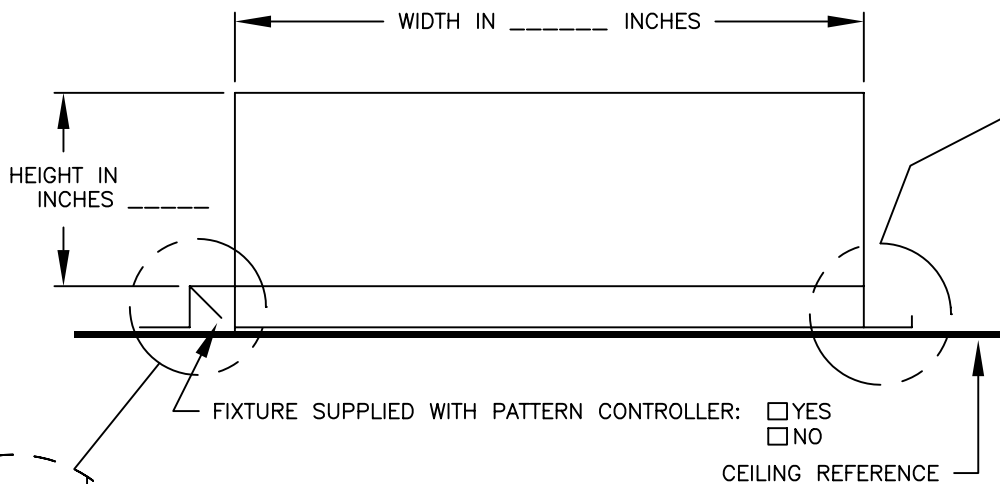
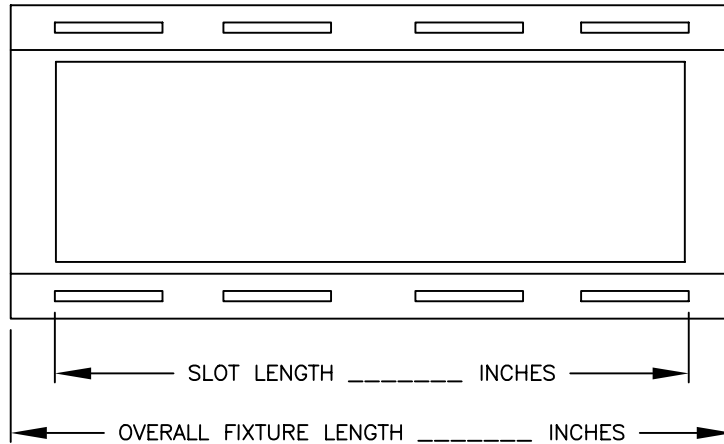
OPTIONS:

- UNITS SHIPPED KNOCKED DOWN FOR FIELD ASSEMBLY (KD)
- EXTERNAL FOIL-BACKED INSULATION (AFI)
- BLACK FACE SLOT (BFS)
- ADJUSTABLE CROSSOVER
 - 8-13 (SELECT 14LP ONLY)
 - 13-23 (SELECT 22LP, 23LP & 24LP ONLY)
 - 23-29 (SELECT 33LP & 44LP ONLY)

PROJECT:		PRICE [®]	
ENGINEER:			LTNLP LIGHT TROFFER W/O PATTERN CONTROLLER LOW PROFILE
CUSTOMER:		223859	
SUBMITTAL DATE:	SPEC. SYMBOL:	2010/07/09	

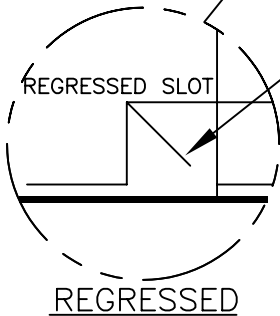
**LIGHT FIXTURE DIMENSIONAL
DETAIL SUBMITTAL**

PHYSICAL DIMENSIONS OF LIGHT FIXTURE REQUIRED.



FIXTURE SUPPLIED WITH PATTERN CONTROLLER: YES NO

LIGHT FIXTURE
PATTERN CONTROLLER
 YES NO

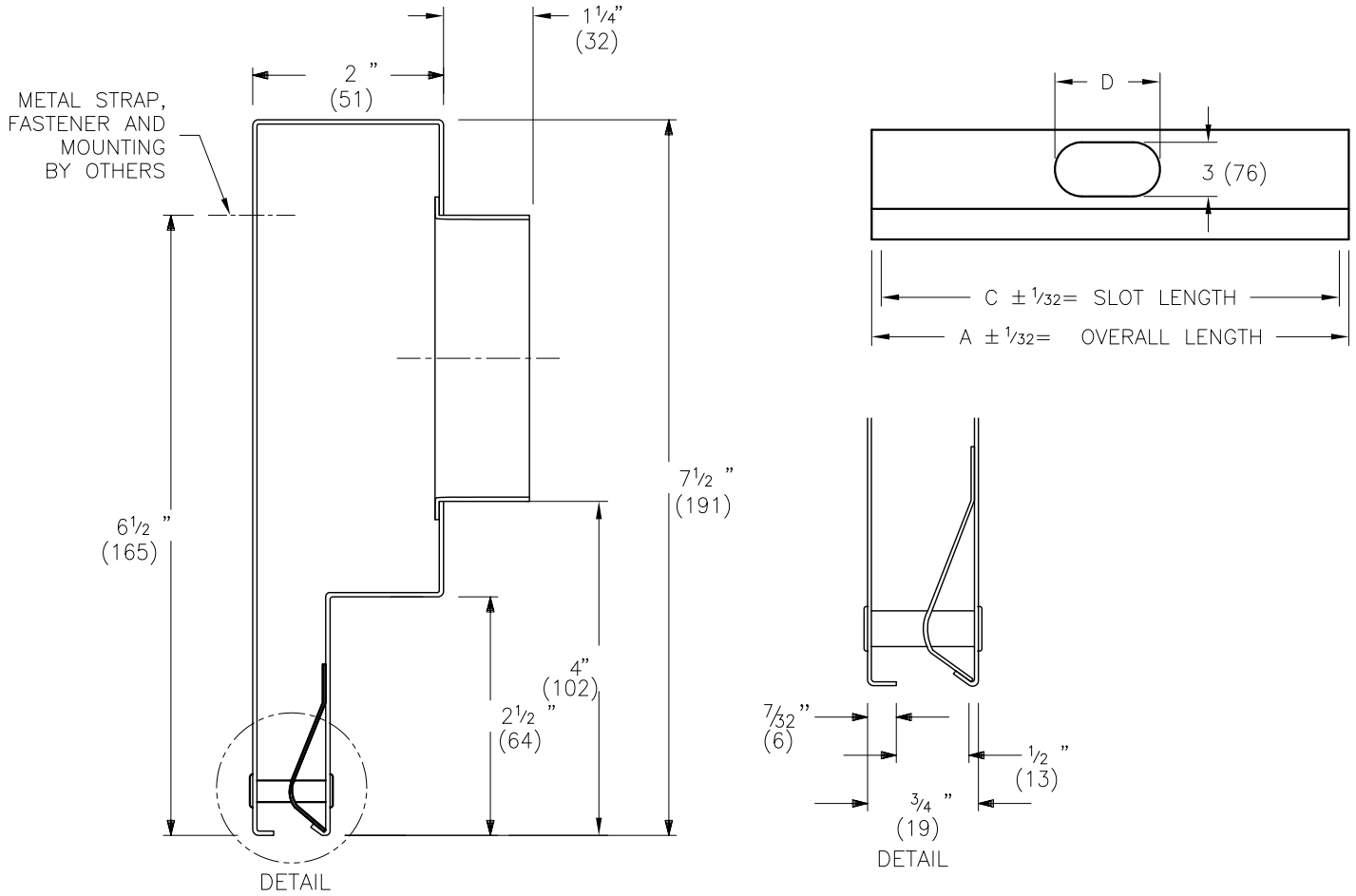


NOTE:
FOR LIGHT TROFFER SELECTION SEE
LTF SUBMITTAL DRAWING 223854.

ALL METRIC DIMENSIONS () ARE SOFT CONVERTED. IMPERIAL DIMENSIONS ARE CONVERTED TO METRIC AND ROUNDED TO THE NEAREST MILLIMETER.

PROJECT:		PRICE[®]	
ENGINEER:			LTA, LTF, LTN
CUSTOMER:		239374	LIGHT FIXTURE DIMENSIONAL
SUBMITTAL DATE:	SPEC. SYMBOL:	FEB. 2003	

MODEL LTF10 LIGHT TROFFER



MODEL	NOM. ROUND INLET SIZE	IMPERIAL UNITS		SI UNITS	
		A	C	A	C
2	5,6,7	17	16 1/4	432	413
3	5,6,7	25 1/4	24 1/2	641	622
4	5,6,7	41 3/4	41	1061	1041

NOTES:

- END TABS ARE STANDARD
- ROUND EQUIVALENT FOR OVAL INLET

ROUND	OVAL (3xD)	OVAL (76xD)
5	3x6	76x127
6	3x7.56	76x152
7	3x9.125	76x178

MATERIAL: COATED STEEL

FINISH: MILL FINISH

- FACTORY TOLERANCE: ± 1/32" (1)

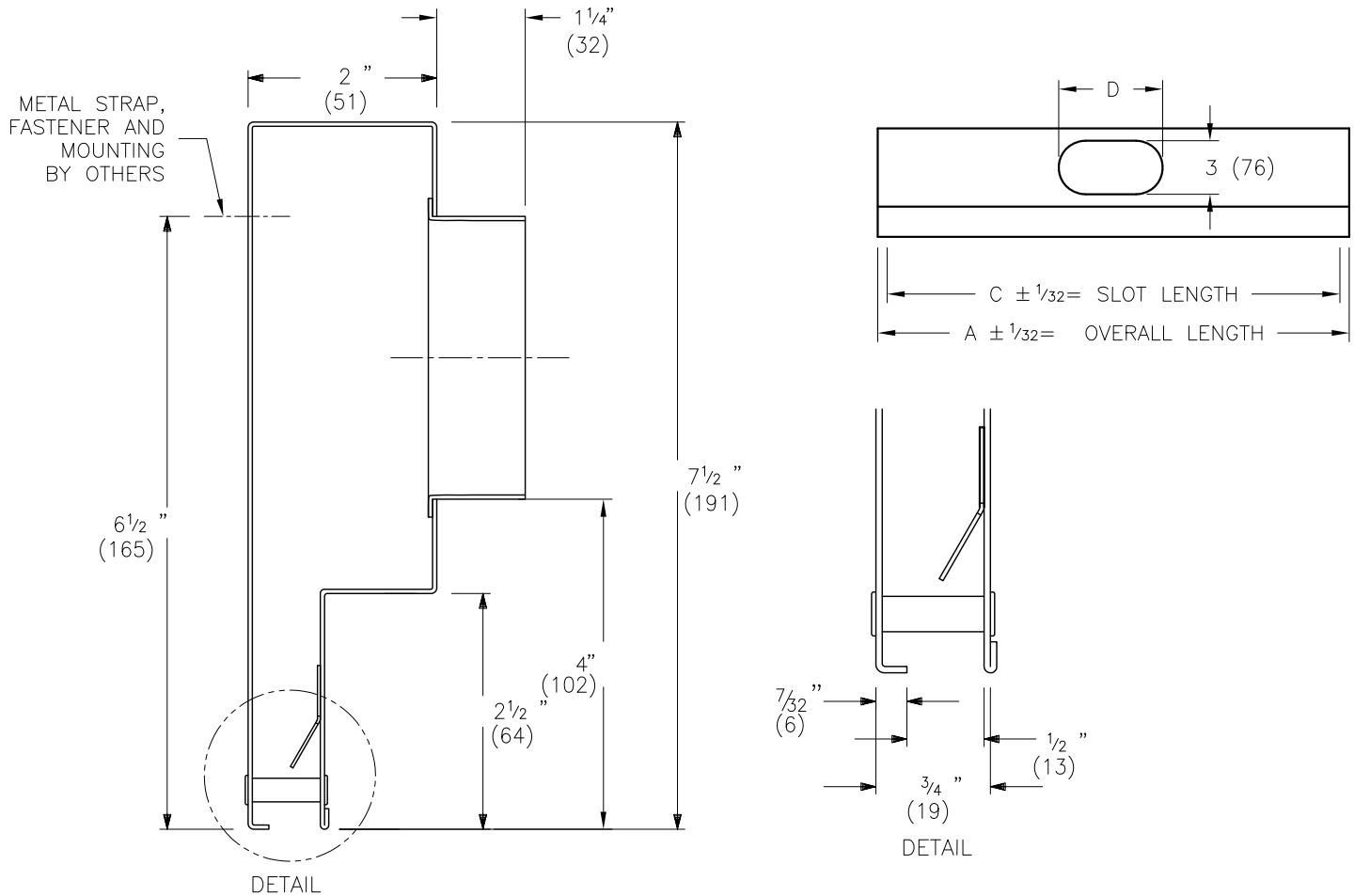
OPTIONS:

- EXTERNAL FOIL-BACKED INSULATION (AFI)
- BLACK FACE SLOT (BFS)

ALL METRIC DIMENSIONS () ARE SOFT CONVERTED. IMPERIAL DIMENSIONS ARE CONVERTED TO METRIC AND ROUNDED TO THE NEAREST MILLIMETER.

PROJECT:		PRICE [®]	
ENGINEER:			LTF10 LIGHT TROFFER FIXED PATTERN CONTROLLER
CUSTOMER:		223860	
SUBMITTAL DATE:	SPEC. SYMBOL:	2010/07/09	

MODEL LTA10 LIGHT TROFFER



MODEL	• NOM. ROUND INLET SIZE	IMPERIAL UNITS		SI UNITS	
		A	C	A	C
2	5,6,7	17	16 1/4	432	413
3	5,6,7	25 1/4	24 1/2	641	622
4	5,6,7	41 3/4	41	1061	1041

NOTES:

- SPOT WELDED END TABS USED FOR MOUNTING
- ROUND EQUIVALENT FOR OVAL INLET

ROUND	OVAL (3xD)	OVAL (76xD)
5	3x6	76x127
6	3x7.56	76x152
7	3x9.125	76x178

OPTIONS:

- REVERSE LIP, PATTERN CONTROLLER OPPOSITE INLET (RL)
- EXTERNAL FOIL-BACKED INSULATION (AFI)
- BLACK FACE SLOT (BFS)

MATERIAL: COATED STEEL

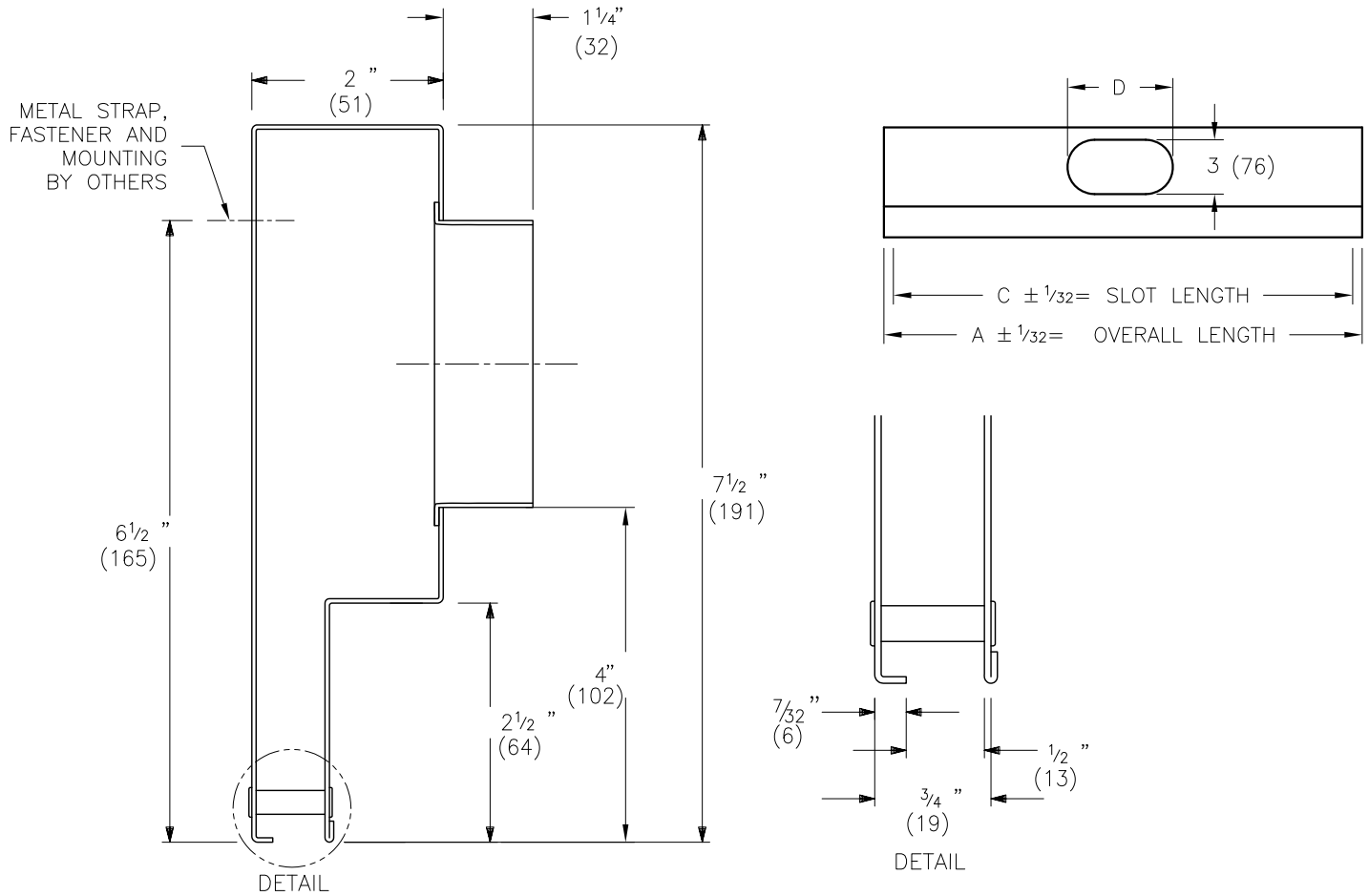
FINISH: MILL FINISH

- FACTORY TOLERANCE: ± 1/32" (1)

ALL METRIC DIMENSIONS () ARE SOFT CONVERTED. IMPERIAL DIMENSIONS ARE CONVERTED TO METRIC AND ROUNDED TO THE NEAREST MILLIMETER.

PROJECT:		PRICE [®]	
ENGINEER:		 223861	LTA10 LIGHT TROFFER ADJUSTABLE PATTERN CONTROLLER
CUSTOMER:			
SUBMITTAL DATE:	SPEC. SYMBOL:	2010/11/18	

MODEL LTN10 LIGHT TROFFER



MODEL	•NOM. ROUND INLET SIZE	IMPERIAL UNITS		SI UNITS	
		A	C	A	C
2	5,6,7	17	16 1/4	432	413
3	5,6,7	25 1/4	24 1/2	641	622
4	5,6,7	41 3/4	41	1061	1041

NOTES:

- END TABS ARE STANDARD
- ROUND EQUIVALENT FOR OVAL INLET

ROUND	OVAL (3xD)	OVAL (76xD)
5	3x6	76x127
6	3x7.56	76x152
7	3x9.125	76x178

MATERIAL: COATED STEEL

FINISH: MILL FINISH

- FACTORY TOLERANCE: $\pm 1/32$ " (1)

ALL METRIC DIMENSIONS () ARE SOFT CONVERTED. IMPERIAL DIMENSIONS ARE CONVERTED TO METRIC AND ROUNDED TO THE NEAREST MILLIMETER.

OPTIONS:

- EXTERNAL FOIL-BACKED INSULATION (AFI)
- BLACK FACE SLOT (BFS)

PROJECT:



ENGINEER:

RV

CUSTOMER:

223862

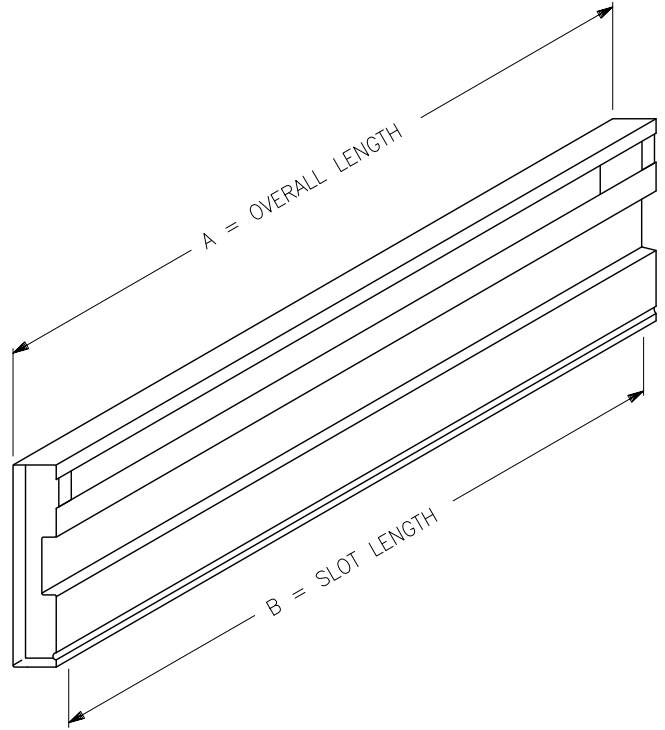
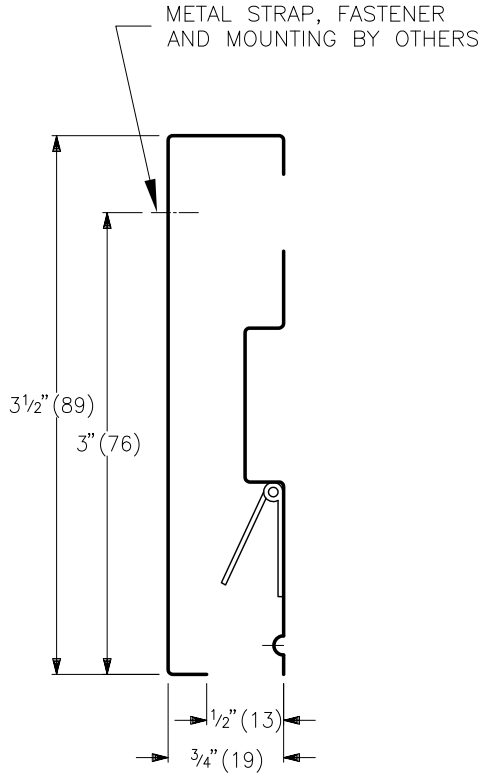
SUBMITTAL DATE:

SPEC. SYMBOL:

2010/07/09

LTN10
LIGHT TROFFER
W/O PATTERN CONTROLLER

LTR RETURN AIR TROFFER



MODEL	LENGTH	A	B
LTR-2	24" (610)	17" (432)	16 1/4" (413)
LTR-3	36" (914)	25 1/4" (641)	24 1/2" (622)
LTR-4	48" (1219)	41 3/4" (1060)	41" (1041)

NOTES:

- END TABS ARE STANDARD

FINISH:

- MILL FINISH (STANDARD)
- BLACK FACED SLOT SPECIFY BFS

MATERIAL:

- COATED STEEL

ALL METRIC DIMENSIONS () ARE SOFT CONVERTED. IMPERIAL DIMENSIONS ARE CONVERTED TO METRIC AND ROUNDED TO THE NEAREST MILLIMETER.

PROJECT:		PRICE [®]	
ENGINEER:		<i>RV</i>	LTR
CUSTOMER:		222043	RETURN AIR TROFFER
SUBMITTAL DATE:	SPEC. SYMBOL:	2010/03/26	REV B