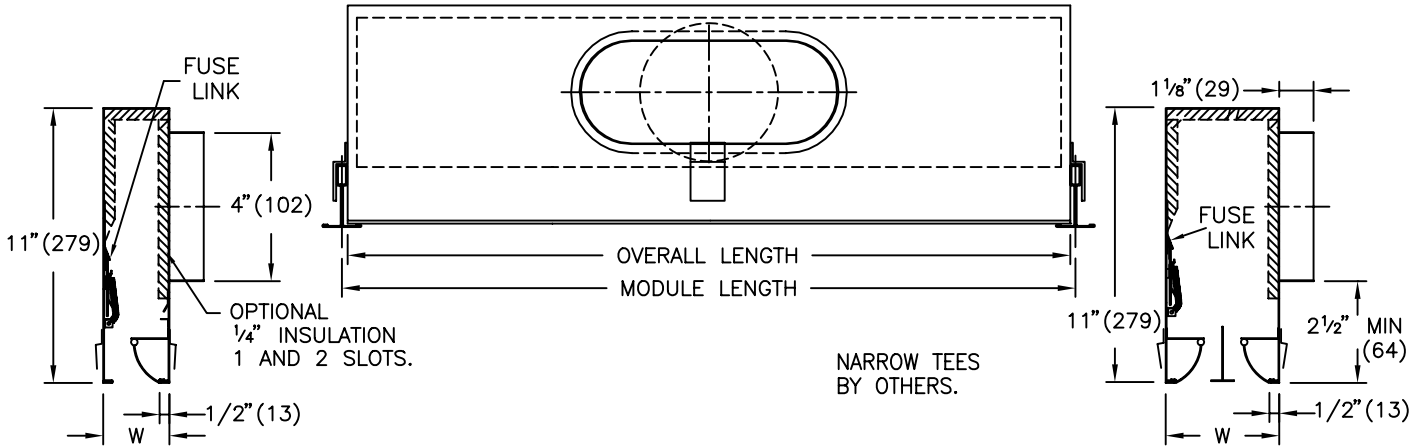


TBD2 -FR T-BAR SUPPLY DIFFUSER ASSEMBLY



IMPERIAL SCHEDULE (INCH)

MODEL	MODULE LENGTH	INLET SIZES	1 SLOT W	2 SLOT W
1" SLOT TBD 2100 TBDI 2100	24	5*,6,8,10	2	4
	30	5*,6,8,10	2	4
	36	5*,6,8,10	2	4
	48	6,8,10,12	2	4
	60	6,8,10,12	2	4
1 1/2" SLOT TBD 2150 TBDI 2150	24	5*,6,8,10	2 3/8	4 3/4
	30	5*,6,8,10	2 3/8	4 3/4
	36	5*,6,8,10	2 3/8	4 3/4
	48	6,8,10,12	2 3/8	4 3/4
	60	6,8,10,12	2 3/8	4 3/4

METRIC SCHEDULE (mm)

MODEL	MODULE LENGTH	INLET SIZES	1 SLOT W	2 SLOT W
(25) SLOT TBD 2100 TBDI 2100	610	127*,152,203,254	51	102
	762	127*,152,203,254	51	102
	914	127*,152,203,254	51	102
	1219	152,203,254,305	51	102
	1524	152,203,254,305	51	102
(38) SLOT TBD 2150 TBDI 2150	610	127*,152,203,254	60	121
	762	127*,152,203,254	60	121
	914	127*,152,203,254	60	121
	1219	152,203,254,305	60	121
	1524	152,203,254,305	60	121

MATERIAL:

- SHELL: STEEL
- CURVED PATTERN CONTROLLER: ALUMINUM EXTRUSION
- NON ASBESTOS FIRE FLAP

FINISH:

- DIFFUSER FACE, PLENUM, AND PATTERN CONTROLLER: BLACK
- CENTRE TEE: WHITE

OPTIONS:

- TBDI2 C/W INTERNAL INSULATION
- 212" FUSIBLE LINK

NOTES:

- FIRE RATED 3 HOUR, 165° FUSIBLE LINK
- UL CLASSIFIED FIRE RATED CEILING DIFFUSER ASSEMBLY LISTED IN UNDERWRITERS LABORATORIES FIRE RESISTANCE DIRECTORY.
- ULC CLASSIFIED FIRE RATED CEILING DIFFUSER ASSEMBLY LISTED IN UNDERWRITERS OF CANADA LABORATORIES LIST OF EQUIPMENT AND MATERIALS.
- DUCT: STEEL OR FLEXIBLE DUCT CONNECTIONS.

IMPERIAL SCHEDULE (INCH)

RND. EQUIV.	INLET (in)
*	5 ROUND
6	4 X 7
8	4 X 10 1/8
10	4 X 13 1/4
12	4 X 16 3/8

METRIC SCHEDULE (mm)

RND. EQUIV.	INLET (mm)
*	127 ROUND
152	102 X 178
203	102 X 257
254	102 X 337
305	102 X 416

NOTES:

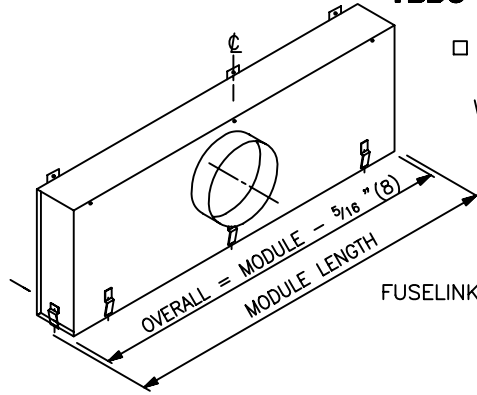
- ONE BLADE PER SLOT ON 24" (610) & 30" (762) NOM LENGTHS. TWO BLADES PER SLOT ON ALL OTHER SIZES.
- STANDARD FACTORY INSTALLED PATTERN CONTROLLERS: 1-WAY PATTERN TOWARDS INLET.
- OVERALL LENGTH = MODULE LENGTH - 1/4" (6)
- FACTORY INSTALLED T-BAR CLIPS - ALL SIDES
- 1/4" (6) COATED FIBERGLASS INTERNAL INSULATION AVAILABLE.
- INSTALLATION INSTRUCTIONS: SEE SUBMITTAL 228795



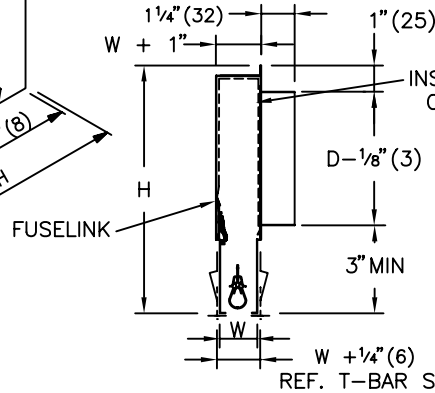
ALL METRIC DIMENSIONS () ARE SOFT CONVERTED. IMPERIAL DIMENSIONS ARE CONVERTED TO METRIC AND ROUNDED TO THE NEAREST MILLIMETER.

PROJECT:		PRICE®	
ENGINEER:			
CUSTOMER:		228711	TBD2-FR, TBDI2-FR T-BAR FIRE RATED SUPPLY DIFFUSER ASSEMBLY
SUBMITTAL DATE:	SPEC. SYMBOL:	APRIL 2002	

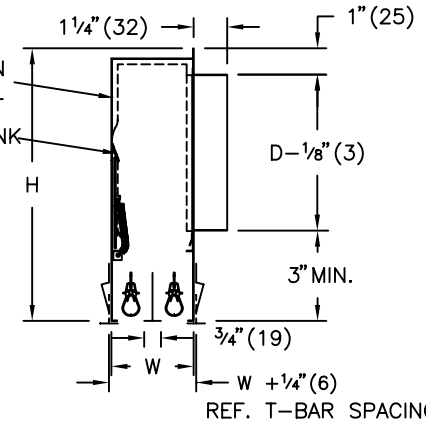
TBD3-FR SERIES T-BAR SUPPLY DIFFUSER



1 SLOT, TBD3-FR SHOWN



2 SLOT, TBD3-FR SHOWN



IMPERIAL SCHEDULE (INCH)

MODEL	MODULE LENGTH	D	1 SLOT		2 SLOT	
			W	H	W	H
<input type="checkbox"/> 1/2" SLOT TBD350-FR	24	6, 8*, 10*	1 1/4	11	2 1/2	
	30					
	36					
	48					
<input type="checkbox"/> TBDI350-FR	60	6, 8*, 10*, 12*	1 1/4	11	2 1/2	
	60					
	60					
	60					
<input type="checkbox"/> 3/4" SLOT TBD375-FR	24	6, 8*, 10*	1 1/2	12	3	
	30					
	36					
	48					
<input type="checkbox"/> TBDI375-FR	60	6, 8*, 10*, 12*	1 1/2	12	3	
	60					
	60					
	60					
<input type="checkbox"/> 1" SLOT TBD3100-FR	24	6, 8*, 10*	1 3/4	12	3 1/2	
	30					
	36					
	48					
<input type="checkbox"/> TBDI3100-FR	60	6, 8*, 10*, 12*	1 3/4	12	3 1/2	
	60					
	60					
	60					

* SUPPLIED AS EQUIVALENT. OVAL:
 8" (203) 4" X 10 1/8"
 10" (254) 6" X 12 1/8"
 12" (305) 6" X 15 1/4"

METRIC SCHEDULE (mm.)

MODEL	MODULE LENGTH	D	1 SLOT		2 SLOT	
			W	H	W	H
<input type="checkbox"/> (13) SLOT TBD350-FR	600	152	32	279	64	
	750					
	900					
	1200					
<input type="checkbox"/> TBDI350-FR	1500	203*254*	32	279	64	
	1500					
	1500					
	1500					
<input type="checkbox"/> (19) SLOT TBD375-FR	600	152	38	305	76	
	750					
	900					
	1200					
<input type="checkbox"/> TBDI375-FR	1500	203*254*305*	38	305	76	
	1500					
	1500					
	1500					
<input type="checkbox"/> (25) SLOT TBD3100-FR	600	152	44	305	89	
	750					
	900					
	1200					
<input type="checkbox"/> TBDI3100-FR	1500	203*254*305*	44	305	89	
	1500					
	1500					
	1500					

FINISH:

- SHELL: MILL
- PATTERN CONTROLLER: B17 BLACK
- CENTRE T:
 - B12 WHITE (OPTIONAL FINISHES AVAILABLE)

MATERIAL:

- SHELL: COATED STEEL
- PATTERN CONTROLLER & CENTRE T: EXTRUDED ALUMINUM
- NON ASBESTOS FIRE FLAP
- TBI: COATED FIBERGLASS INSULATION (OPTIONAL)

NOTES:

- FIRE RATED 3 HOURS, 165° FUSIBLE LINK
- UL CLASSIFIED FIRE RATED CEILING DIFFUSER ASSEMBLY. LISTED IN UNDERWRITERS LABORATORIES FIRE RESISTANCE DIRECTORY.
- ULC CLASSIFIED FIRE RATED CEILING DIFFUSER ASSEMBLY. LISTED IN UNDERWRITERS LABORATORIES OF CANADA LIST OF EQUIPMENT AND MATERIALS
- DUCT: STEEL OR FLEXIBLE DUCT CONNECTIONS AS PER FIRE RATED DESIGN REQUIREMENTS.
- 1/4" (6) COATED FIBERGLASS INTERNAL INSULATION AVAILABLE.
- FACTORY INSTALLED T-BAR CLIPS - ALL SIDES
- INSTALLATION INSTRUCTIONS: SEE SUBMITTAL 228795

OPTIONS:

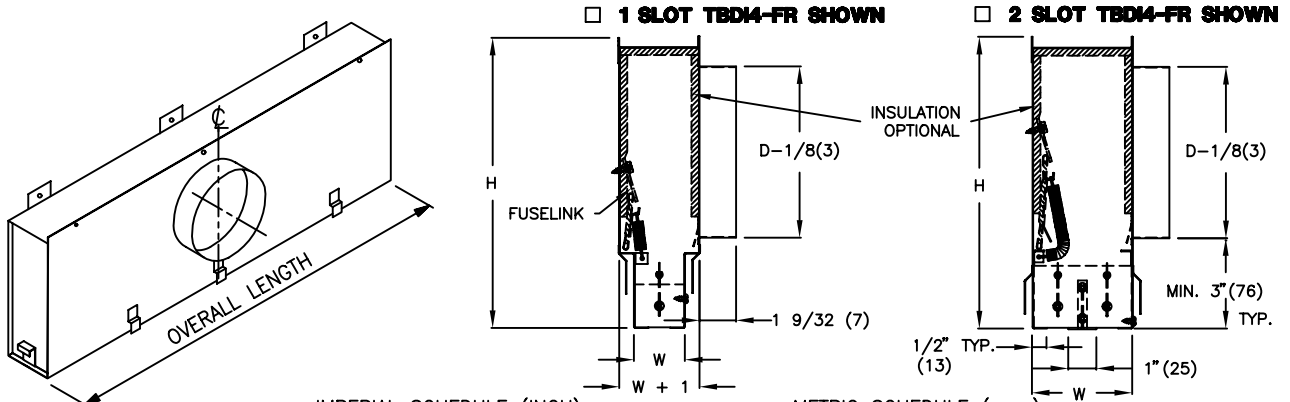
- TBDI3-FR C/W INTERNAL INSULATION
- 212°F FUSIBLE LINK



ALL METRIC DIMENSIONS () ARE SOFT CONVERTED. IMPERIAL DIMENSIONS ARE CONVERTED TO METRIC AND ROUNDED TO THE NEAREST MILLIMETER.

PROJECT:		PRICE [®]	
ENGINEER:			TBD3-FR, TBDI3-FR T-BAR SLOT DIFFUSER SUPPLY ASSEMBLY
CUSTOMER:			
SUBMITTAL DATE:		APRIL 2002	
SPEC. SYMBOL:			

TBD4-FR SERIES T-BAR SUPPLY DIFFUSER ASSEMBLY



MODEL	MODULE LENGTH	IMPERIAL SCHEDULE (INCH)			METRIC SCHEDULE (mm.)			IMPERIAL SCHEDULE (INCH)			METRIC SCHEDULE (mm.)			
		1 SLOT DIFFUSER			2 SLOT DIFFUSER			1 SLOT DIFFUSER			2 SLOT DIFFUSER			
		H	D	W	H	D	W	H	D	W	H	D	W	
3/4" SLOT TBD475-FR TBDI475-FR	24	10	6	1 3/4	10	6	3 1/2	600	254	152	44	254	152	89
	30	10	6		10	6		750	254	152		254	152	
	36	10	6		10	6		900	254	152		254	152	
	48	12	6		12	8		1200	305	152		305	203	
	60	12	8		12	12*		1500	305	203*		305	305*	
1" SLOT TBD4100-FR TBDI4100-FR	24	10	6	2	10	6	4	600	254	152	51	254	152	102
	30	10	6		12	8		750	254	152		305	203	
	36	10	6		12	8		900	254	152		305	203	
	48	12	8		12	8		1200	305	203		305	203	
	60	12	12*		12	12*		1500	305	305*		305	305*	
1 1/2" SLOT TBD4150-FR TBDI4150-FR	24	12	8	2 1/2	12	8	5	600	305	203	64	305	203	127
	30	12	8		12	10*		750	305	203		305	254*	
	36	12	8		12	10*		900	305	203		305	254*	
	48	12	8		12	14*		1200	305	203		305	356*	
	60	12	12*		12	14*		1500	305	305*		305	356*	

* SUPPLIED AS FLAT OVAL INLETS
 10" = 6 x 12 1/8 (254 = 152 x 307)
 12" = 6 x 15 1/4 (305 = 152 x 387)
 14" = 6 x 18 3/8 (356 = 152 x 467)

NOTES:

- FIRE RATED 3 HOURS, 165' FUSIBLE LINK
- UL CLASSIFIED FIRE RATED CEILING DIFFUSER ASSEMBLY. LISTED IN UNDERWRITERS LABORATORIES FIRE RESISTANCE DIRECTORY.
- ULC CLASSIFIED FIRE RATED CEILING DIFFUSER ASSEMBLY. LISTED IN UNDERWRITERS LABORATORIES OF CANADA LIST OF EQUIPMENT AND MATERIALS
- OVERALL LENGTH = MODULE - 1/4" (6)
- 1/4(6) COATED FIBERGLASS INTERNAL INSULATION AVAILABLE.
- FACTORY INSTALLED T-BAR CLIPS - ALL SIDES
- DUCT: STEEL OR FLEXIBLE DUCT CONNECTIONS AS PER FIRE RATED DESIGN REQUIREMENTS.
- INSTALLATION INSTRUCTIONS: SEE SUBMITTAL 228795

FINISH:

- PLENUM FACE & BLADE - B17 BLACK
 - CENTRE T
 - B12 WHITE
- (OPTIONAL FINISHES AVAILABLE)

MATERIAL:

- SHELL - COATED STEEL
- BLADE & CENTRE T - EXTRUDED ALUMINUM.
- BLADE SEAL - VINYL
- NON ASBESTOS FIRE FLAP

OPTIONS:

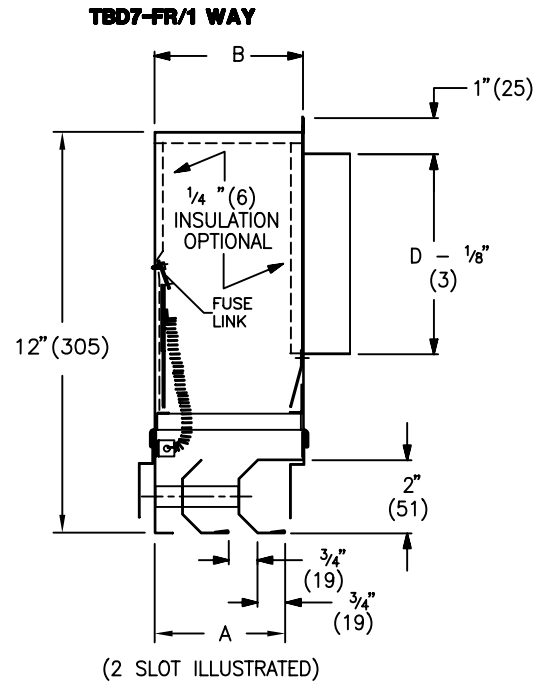
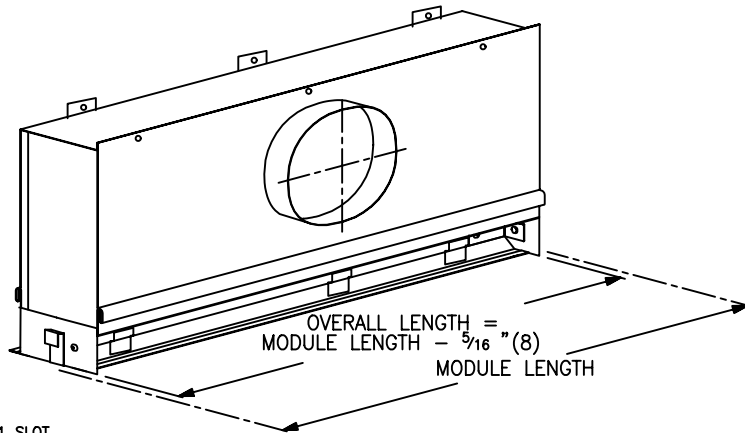
- TBDI C/W 1/4(6) INTERNAL INSULATION
- 212°F FUSIBLE LINK



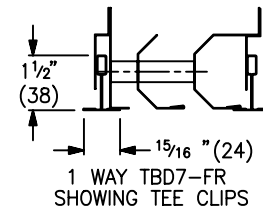
ALL METRIC DIMENSIONS () ARE SOFT CONVERTED. IMPERIAL DIMENSIONS ARE CONVERTED TO METRIC AND ROUNDED TO THE NEAREST MILLIMETER.

PROJECT:		PRICE®	
ENGINEER:			
CUSTOMER:		228715	
SUBMITTAL DATE:	SPEC. SYMBOL:	APRIL 2002	

TBD7-FR T-BAR DIFFUSER FIRE RATED ASSEMBLY



**1 WAY:
TBD7-FR**



**1 WAY TBD7-FR
SHOWING TEE CLIPS**

1 SLOT

NOMINAL MODULE	IMPERIAL (INCHES)				NOMINAL MODULE	METRIC (mm)			
	D	A	B	H		D	A	B	H
24	5	2 1/2	3	12	600	127	64	76	305
30	6				750	152			
48	6				1200	152			
60	8				1500	203			

2 SLOT

NOMINAL MODULE	IMPERIAL (INCHES)				NOMINAL MODULE	METRIC (mm)			
	D	A	B	H		D	A	B	H
24	6	3 1/2	4	12	600	152	89	102	305
30	7				750	178			
48	8				1200	203			
60	10				1500	254			

3 SLOT

NOMINAL MODULE	IMPERIAL (INCHES)				NOMINAL MODULE	METRIC (mm)			
	D	A	B	H		D	A	B	H
24	7	5	5 1/2	12	600	178	127	140	305
30	8				750	203			
48	10				1200	254			
60	12				1500	305			

4 SLOT

NOMINAL MODULE	IMPERIAL (INCHES)				NOMINAL MODULE	METRIC (mm)			
	D	A	B	H		D	A	B	H
24	8	6 1/2	7	12	600	203	165	178	305
30	10				750	254			
48	12				1200	305			
60	14				1500	356			

MATERIAL:

- COATED STEEL

FINISH:

- EXPOSED FACE:
 B12 WHITE
 (OPTIONAL FINISHES AVAILABLE)

OPTIONS:

- TBD7-FR c/w 1/4" (6) INTERNAL INSULATION.
- OPTIONAL FUSELINK, 212° F. AVAILABLE

NOTES:

- FIRE RATED 3 HOURS, 165° FUSIBLE LINK.
- UL CLASSIFIED FIRE RATED CEILING DIFFUSER ASSEMBLY LISTED IN UNDERWRITERS LABORATORIES FIRE RESISTANCE DIRECTORY.
- ULC CLASSIFIED FIRE RATED CEILING DIFFUSER ASSEMBLY. LISTED IN UNDERWRITERS LABORATORIES OF CANADA LIST OF EQUIPMENT AND MATERIALS.
- THE AIR PATTERN CAN BE CHANGED ON THE JOB SITE BY REMOVING THE SELF-PIERCING SCREWS, SEPARATING THE PLENUM AND DIFFUSER SECTIONS AND ROTATING THE PLENUM 180°. REASSEMBLE.
- DUCT: STEEL OR FLEXIBLE DUCT CONNECTIONS AS PER FIRE RATED DESIGN REQUIREMENTS.
- 1/4" (6) INTERIOR COATED FIBERGLASS INSULATION AVAILABLE.
- SEE SHEET 2 FOR AVAILABLE AIR PATTERN DESIGNATIONS.
- FACTORY INSTALLED T-BAR CLIPS - ALL SIDES.
- ROUND INLETS 7" (178) AND LARGER WILL BE SUPPLIED WITH 5" (127) OR 6" (152) HIGH EQUIVALENT OVALS.
- INSTALLATION INSTRUCTIONS: SEE SUBMITTAL 228795



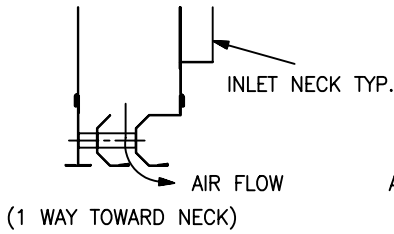
ALL METRIC DIMENSIONS () ARE SOFT CONVERTED. IMPERIAL DIMENSIONS ARE CONVERTED TO METRIC AND ROUNDED TO THE NEAREST MILLIMETER.

PROJECT:		PRICE [®]	
ENGINEER:			
CUSTOMER:		228717	
SUBMITTAL DATE:		APRIL 2002	
SPEC. SYMBOL:		1-WAY SUPPLY CEILING DIFFUSERS	

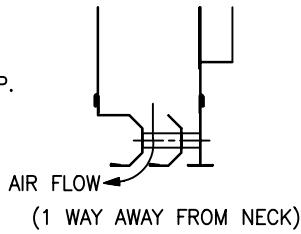
TBD(I)7-FR AIR PATTERN DESIGNATIONS:

1 - WAY

□ **1W - N**

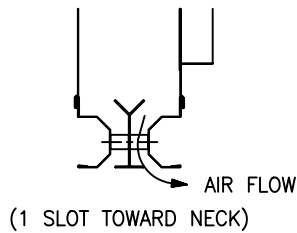


□ **1W - A**

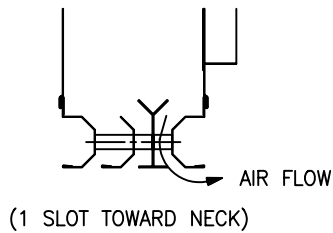


2 - WAY

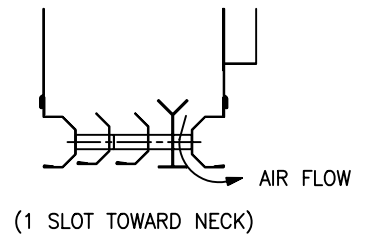
□ **2W-1N/2S**



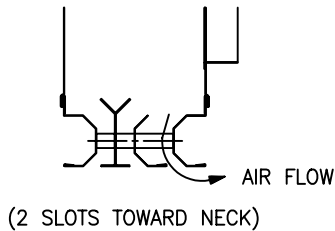
□ **2W-1N/3S**



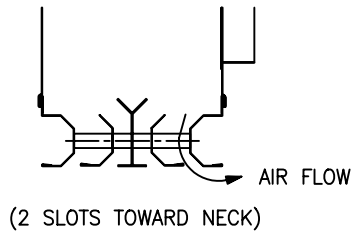
□ **2W-1N/4S**



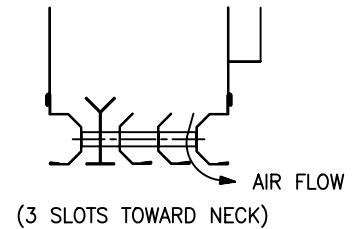
□ **2W-2N/3S**



□ **2W-2N/4S**



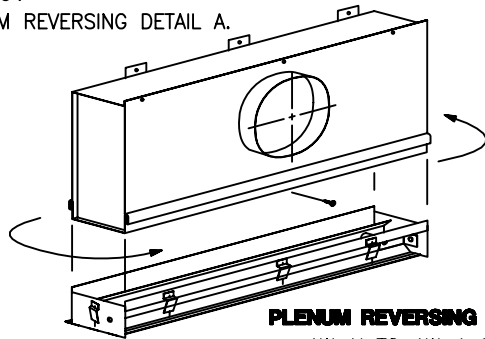
□ **2W-3N/4S**



REVERSIBLE AIR PATTERN :

THE AIR PATTERN CAN BE CHANGED ON THE JOB SITE BY REMOVING THE SELF-PIERCING SCREWS, SEPERATING THE PLENUM AND DIFFUSER SECTIONS AND ROTATING THE PLENUM 180°.

SEE PLENUM REVERSING DETAIL A.



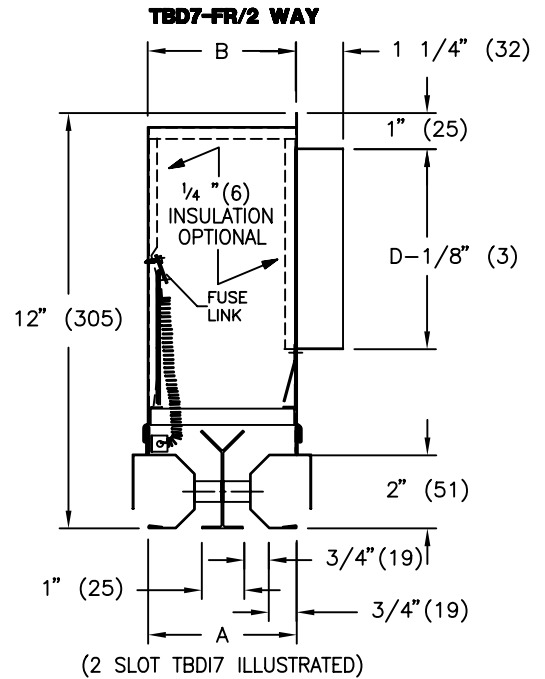
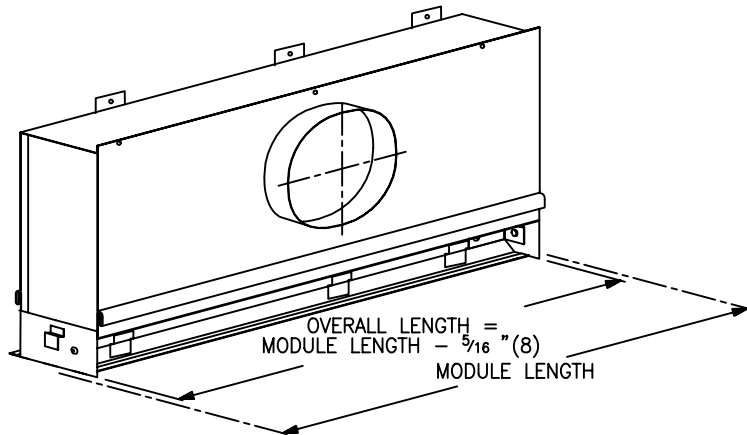
PLENUM REVERSING DETAIL A
1W-N TO 1W-A SHOWN



ALL METRIC DIMENSIONS () ARE SOFT CONVERTED. IMPERIAL DIMENSIONS ARE CONVERTED TO METRIC AND ROUNDED TO THE NEAREST MILLIMETER.

PROJECT:		PRICE[®]	
ENGINEER:			TBD7-FR, TBD(I)7-FR AIR PATTERN DESIGNATIONS
CUSTOMER:		228717	
SUBMITTAL DATE:	SPEC. SYMBOL:	APR 2002	

TBD7-FR T-BAR DIFFUSER FIRE RATED ASSEMBLY



2 SLOT

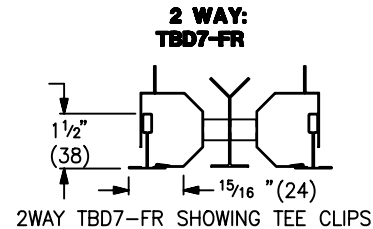
NOMINAL MODULE	IMPERIAL (INCHES)				NOMINAL MODULE	METRIC (mm)			
	D	A	B	H		D	A	B	H
24	6	3 3/4	4	12	600	152	95	102	305
30	7				750	178			
48	8				1200	203			
60	10				1500	254			

3 SLOT

NOMINAL MODULE	IMPERIAL (INCHES)				NOMINAL MODULE	METRIC (mm)			
	D	A	B	H		D	A	B	H
24	7	5 1/4	5 1/2	12	600	178	133	127	305
30	8				750	203			
48	10				1200	254			
60	12				1500	305			

4 SLOT

NOMINAL MODULE	IMPERIAL (INCHES)				NOMINAL MODULE	METRIC (mm)			
	D	A	B	H		D	A	B	H
24	8	6 3/4	7	13	600	203	171	178	330
30	10				750	254			
48	12				1200	305			
60	14				1500	356			



MATERIAL:

- COATED STEEL

FINISH:

- EXPOSED FACE:
 - B12 WHITE (OPTIONAL FINISHES AVAILABLE)

OPTIONS:

- TBDI7 -FR c/w INTERNAL INSULATION
- OPTIONAL FUSELINK, 212' F. AVAILABLE

NOTES:

- FIRE RATED 3 HOURS, 165° FUSIBLE LINK.
- UL CLASSIFIED FIRE RATED CEILING DIFFUSER ASSEMBLY LISTED IN UNDERWRITERS LABORATORIES FIRE RESISTANCE DIRECTORY.
- ULC CLASSIFIED FIRE RATED CEILING DIFFUSER ASSEMBLY. LISTED IN UNDERWRITERS LABORATORIES OF CANADA LIST OF EQUIPMENT AND MATERIALS.
- THE AIR PATTERN CAN BE CHANGED ON THE JOB SITE BY REMOVING THE SELF-PIERCING SCREWS, SEPARATING THE PLENUM AND DIFFUSER SECTIONS AND ROTATING THE PLENUM 180°. REASSEMBLE.
- SEE SHEET 2 FOR AVAILABLE AIR PATTERN DESIGNATIONS.
- FACTORY INSTALLED T-BAR CLIPS - ALL SIDES.
- 1/4" (6) COATED FIBERGLASS INTERNAL INSULATION AVAILABLE.
- ROUND INLETS 7" (178) AND LARGER WILL BE SUPPLIED WITH 5" (127) OR 6" (152) HIGH EQUIVALENT OVALS.
- DUCT: STEEL OR FLEXIBLE DUCT CONNECTIONS AS PER FIRE RATED DESIGN REQUIREMENTS.
- INSTALLATION INSTRUCTIONS: SEE SUBMITTAL 228795



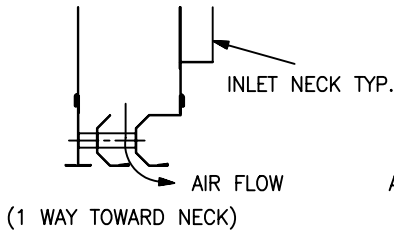
ALL METRIC DIMENSIONS () ARE SOFT CONVERTED. IMPERIAL DIMENSIONS ARE CONVERTED TO METRIC AND ROUNDED TO THE NEAREST MILLIMETER.

PROJECT:		PRICE [®]	
ENGINEER:			TBD7-FR, TBDI7-FR
CUSTOMER:		228718	2-WAY SUPPLY CEILING DIFFUSERS
SUBMITTAL DATE:	SPEC. SYMBOL:	APRIL 2002	

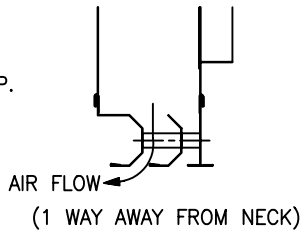
TBD(I)7-FR AIR PATTERN DESIGNATIONS:

1 - WAY

□ **1W - N**

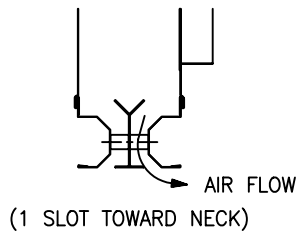


□ **1W - A**

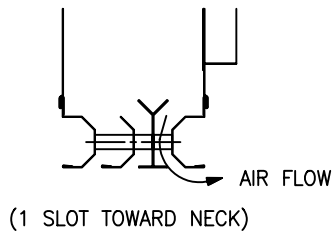


2 - WAY

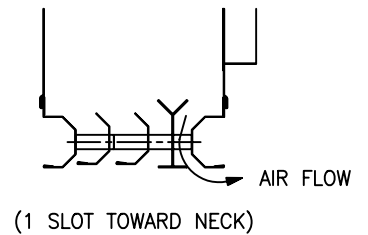
□ **2W-1N/2S**



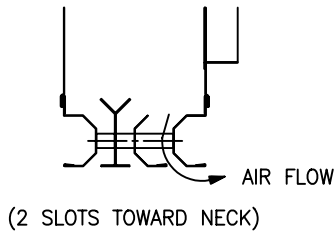
□ **2W-1N/3S**



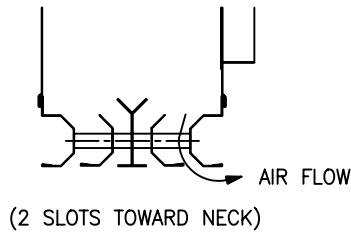
□ **2W-1N/4S**



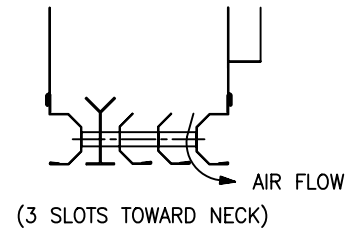
□ **2W-2N/3S**



□ **2W-2N/4S**



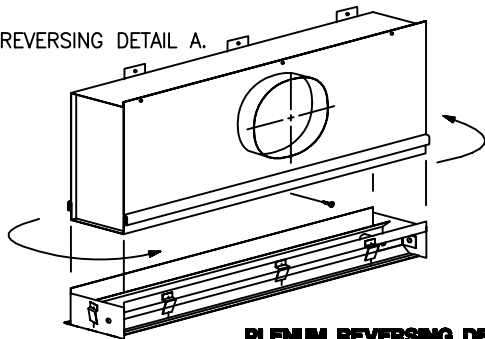
□ **2W-3N/4S**



REVERSIBLE AIR PATTERN :

THE AIR PATTERN CAN BE CHANGED ON THE JOB SITE BY REMOVING THE SELF-PIERCING SCREWS, SEPERATING THE PLENUM AND DIFFUSER SECTIONS AND ROTATING THE PLENUM 180°.

SEE PLENUM REVERSING DETAIL A.



PLENUM REVERSING DETAIL A
1W-N TO 1W-A SHOWN



ALL METRIC DIMENSIONS () ARE SOFT CONVERTED. IMPERIAL DIMENSIONS ARE CONVERTED TO METRIC AND ROUNDED TO THE NEAREST MILLIMETER.

PROJECT:		PRICE®	
ENGINEER:		<i>Handwritten Signature</i>	TBD7-FR, TBD(I)7-FR
CUSTOMER:		228718	AIR PATTERN DESIGNATIONS
SUBMITTAL DATE:	SPEC. SYMBOL:	APR 2002	

TBR-FR SERIES T-BAR RETURN DIFFUSER ASSEMBLY

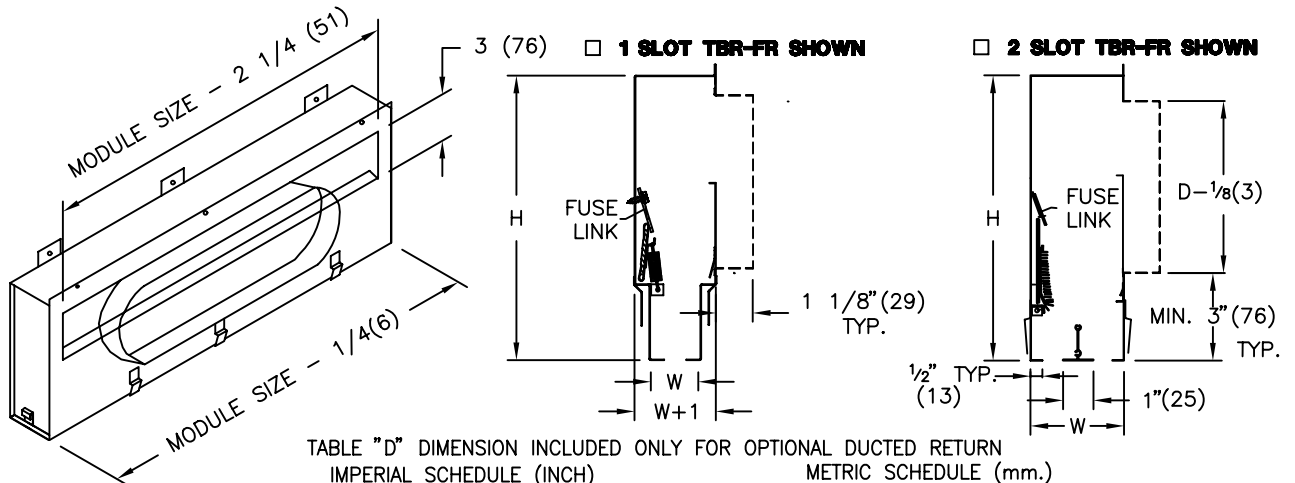


TABLE "D" DIMENSION INCLUDED ONLY FOR OPTIONAL DUCTED RETURN
 IMPERIAL SCHEDULE (INCH) METRIC SCHEDULE (mm.)

MODEL	MODULE LENGTH	1 SLOT DIFFUSER			2 SLOT DIFFUSER			MODULE LENGTH	1 SLOT DIFFUSER			2 SLOT DIFFUSER		
		H	D	W	H	D	W		H	D	W	H	D	W
3/4" SLOT TBR-FR 75	24	10	14*	1 3/4	10	14*	3 1/2	600	254	356*	44	254	356*	89
	30	10	14*		10	14*		750	254	356*				
	36	10	14*		10	14*		900	254	356*				
	48	12	14*		12	14*		1200	305	356*				
	60	12	14*		12	14*		1500	305	356*				
1" SLOT TBR-FR 100	24	10	14*	2	10	14*	4	600	254	356*	51	254	356*	102
	30	10	14*		12	14*		750	254	356*				
	36	10	14*		12	14*		900	254	356*				
	48	12	14*		12	14*		1200	305	356*				
	60	12	14*		12	14*		1500	305	356*				
1 1/2" SLOT TBR-FR 150	24	12	14*	2 1/2	12	14*	5	600	305	356*	64	305	356*	127
	30	12	14*		12	14*		750	305	356*				
	36	12	14*		12	14*		900	305	356*				
	48	12	14*		12	14*		1200	305	356*				
	60	12	14*		12	14*		1500	305	356*				

* SUPPLIED AS FLAT OVAL INLETS
 14" = 6 x 18 3/8 (356 = 125 X 467)

FINISH:

- PLENUM FACE - B17 BLACK
- CENTRE T
- B12 WHITE
- (OPTIONAL FINISHES AVAILABLE)

MATERIAL:

- SHELL - COATED STEEL
- CENTRE T - EXTRUDED ALUMINUM.
- THERMAL BLANKET: NON ASBESTOS

OPTIONS:

- 212°F FUSIBLE LINK
- OPTIONAL 14" OVAL DUCT AVAILABLE.

NOTES:

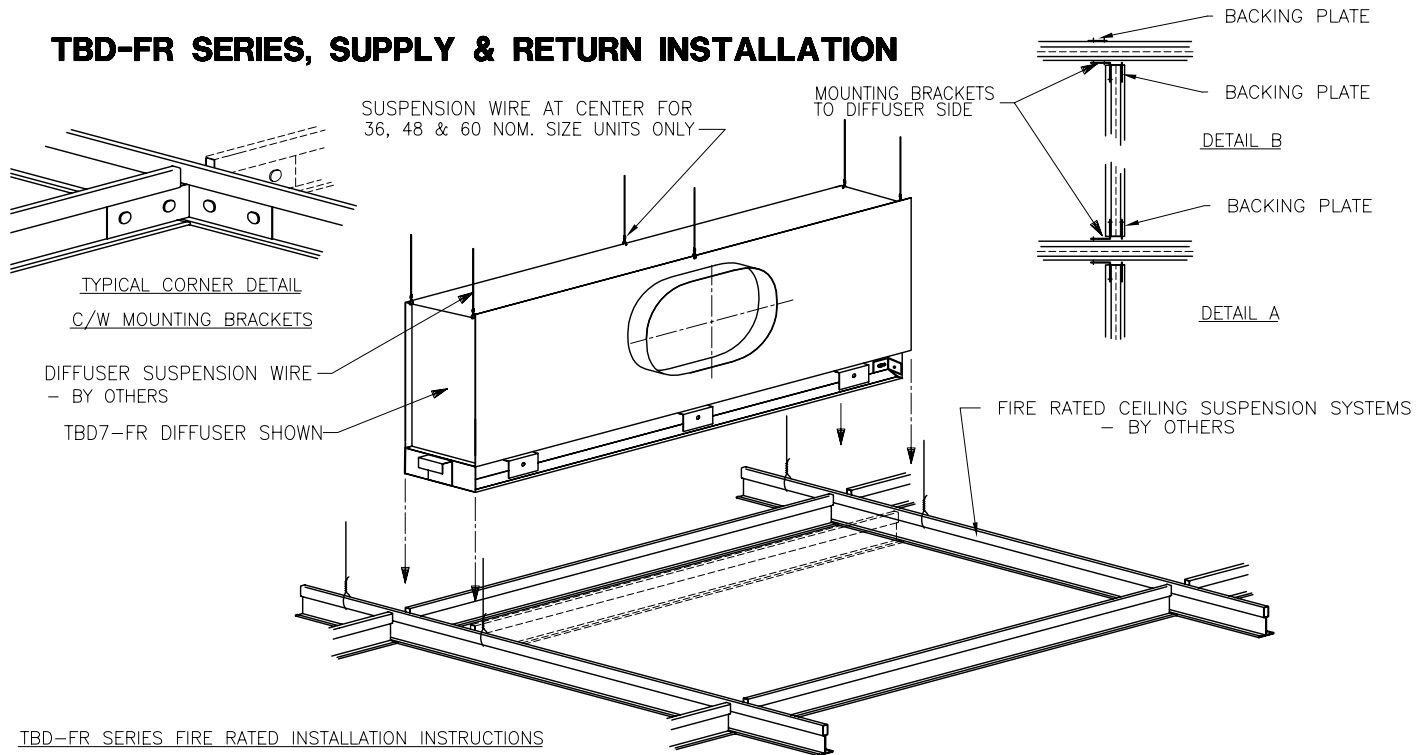
- FIRE RATED 3 HOURS, 165° FUSIBLE LINK
- UL CLASSIFIED FIRE RATED CEILING DIFFUSER ASSEMBLY. LISTED IN UNDERWRITERS LABORATORIES FIRE RESISTANCE DIRECTORY.
- ULC CLASSIFIED FIRE RATED CEILING DIFFUSER ASSEMBLY. LISTED IN UNDERWRITERS LABORATORIES OF CANADA LIST OF EQUIPMENT AND MATERIALS
- OVERALL LENGTH = MODULE SIZE - 1/4" (6)
- FACTORY INSTALLED T-BAR CLIPS - ALL SIDES
- DUCT: STEEL OR FLEXIBLE DUCT CONNECTIONS AS PER FIRE RATED DESIGN REQUIREMENTS.
- INSTALLATION INSTRUCTIONS: SEE SUBMITTAL 228795



ALL METRIC DIMENSIONS () ARE SOFT CONVERTED. IMPERIAL DIMENSIONS ARE CONVERTED TO METRIC AND ROUNDED TO THE NEAREST MILLIMETER.

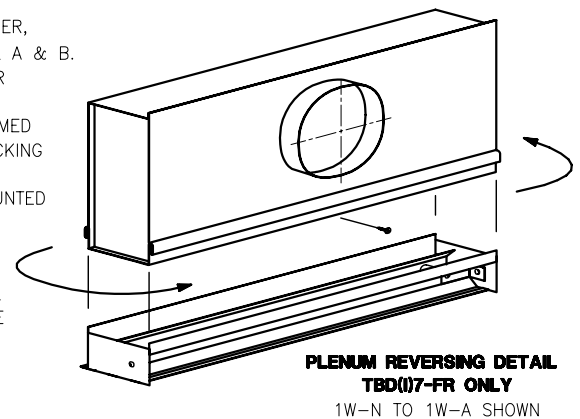
PROJECT:		PRICE®	
ENGINEER:		228712	TBR-FR T-BAR SLOT DIFFUSER RETURN ASSEMBLY
CUSTOMER:			
SUBMITTAL DATE:	SPEC. SYMBOL:	APRIL 2002	

TBD-FR SERIES, SUPPLY & RETURN INSTALLATION



TBD-FR SERIES FIRE RATED INSTALLATION INSTRUCTIONS

- 1) VERIFY THAT THE GRID MODULE IN WHICH THE DIFFUSER IS TO BE INSTALLED IS SUSPENDED ACCORDING TO THE RECOMMENDATIONS OF THE FIRE RATED TEE BAR MANUFACTURER.
- 2) IF THE STANDARD CEILING REGIMENTATION DOES NOT MATCH THE DIMENSIONS OF THE DIFFUSER, AN EXTRA CROSS TEE MUST BE SECURELY MOUNTED USING THE BRACKETS SHOWN IN DETAIL A & B. UNDER THESE CONDITIONS THE FOLLOWING MOUNTING BRACKET, BACKING PLATE AND TEE BAR COMBINATIONS MUST BE USED.
 IF THE DIFFUSERS ARE TO BE INSTALLED END FOR END THEN THE END TABS MUST BE TRIMMED OFF AND EACH CROSS TEE JOINT REQUIRES THE USE OF TWO MOUNTING BRACKETS AND BACKING PLATES AS SHOWN IN DETAIL A.
 IF THE DIFFUSERS ARE TO BE MOUNTED SIDE BY SIDE IN SERIES THEN THE CROSS TEE MOUNTED BETWEEN THEM REQUIRES THE USE OF TWO MOUNTING BRACKETS AND BACKING PLATES AT EACH CROSS TEE JOINT AS SHOWN IN DETAIL A.
 IF THE DIFFUSERS ARE TO BE INSTALLED INDIVIDUALLY, THEN ONE MOUNTING BRACKET AND TWO BACKING PLATES ARE REQUIRED FOR FOR EACH TEE BAR JOINT AS SHOWN IN DETAIL B. TO INSTALL THE BRACKETS, DRILL HOLES (#30 DRILL .128" DIA.) IN THE TEE BAR USING THE BRACKET AS A GUIDE AND FASTEN THE BRACKETS AND BACKING PLATES IN PLACE USING 1/8" DIA x 1/4" LONG STEEL POP RIVETS (SD42BS) OR #8 SHEET METAL SCREWS.
- 3) ENSURE THAT ALL FOUR CORNERS OF THE GRID MODULE, THAT THE DIFFUSER IS TO BE INSTALLED INTO, ARE SUPPORTED BY 12 GA. GALVANIZED STEEL WIRE.
- 4) PLACE THE DIFFUSER INTO THE GRID AND ENSURE THAT ALL THE REMAINING SAFETY CLIPS HAVE HOOKED OVER TOP OF THE TEE BAR.
- 5) WITHOUT LIFTING THE DIFFUSER OFF THE GRID MODULE, THE FULL WEIGHT OF THE UNIT MUST BE SUPPORTED USING 12 GA. GALVANIZED STEEL WIRE WHICH IS LOOPED THROUGH THE MOUNTING HOLES IN THE TOP OF THE DIFFUSER AND ATTACHED TO AN APPROVED CEILING SUPPORT. CARE MUST BE TAKEN TO ENSURE THAT NO WIRES ARE KINKED OR SLACK.
- 6) THE TWO SIDE TEE BARS MUST BE SCREW MOUNTED TO THE DIFFUSER AT THEIR MIDPOINT. DRILL A .128" DIA. HOLE (#30 DRILL) THROUGH THE TEE BAR AND DIFFUSER SIDE CLIP USING THE MIDPOINT OF THE SAFETY CLIP AS A GUIDE. FASTEN THE TEE BAR AND CLIP BY USING #8 X 375 SHEET METAL SCREWS.
- 7) THE DIFFUSER CAN BE CONNECTED TO THE SUPPLY DUCT BY USING A SOLID OR FLEXIBLE DUCT CONNECTION. IF A FLEXIBLE CONNECTION IS USED, MAKE SURE THAT IT BEARS THE ULC/UL CLASSIFICATION, CLASS 1 OR CLASS 2.



NOTE: REVERSIBLE AIR PATTERN
 THE AIR PATTERN CAN BE CHANGED ON THE JOB SITE BY REMOVING THE SELF-PIERCING SCREWS, SEPERATING THE PLENUM AND DIFFUSER SECTIONS, ROTATING THE PLENUM 180° AND REINSTALLING THE SELF-PIERCING SCREWS AFTER PLENUM AND DIFFUSER SECTIONS HAVE BEEN REJOINED. AS SHOWN IN DETAIL ABOVE.



ALL METRIC DIMENSIONS () ARE SOFT CONVERTED. IMPERIAL DIMENSIONS ARE CONVERTED TO METRIC AND ROUNDED TO THE NEAREST MILLIMETER.

PROJECT:		PRICE®	
ENGINEER:			TBD-FR SERIES SUPPLY & RETURN INSTALLATION INSTRUCTIONS
CUSTOMER:		228795	
SUBMITTAL DATE:	SPEC. SYMBOL:	APRIL 2002	