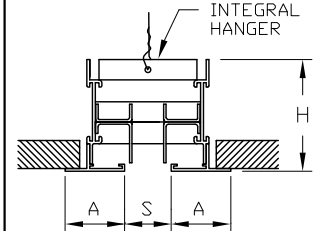


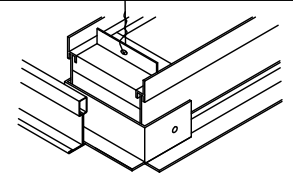
**JST (NON-INSULATED) JSTI (INSULATED) SUPPLY AIR**

**JSTR (NON-DUCTED) RETURN AIR**

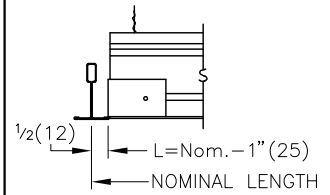
MODEL	S SLOT	IMPERIAL UNITS				METRIC UNITS						
		A	C	H	□ 1 SLOT E	□ 2 SLOT E	S SLOT	A	C	H	□ 1 SLOT E	□ 2 SLOT E
□ JSTR210	1	1 9/32	1 5/16	2 1/8	3 9/16	5 7/8	25	32	33	54	90	149
□ JSTR215	1 1/2	1 17/32	1 13/16	2 3/8	4 9/16	7 7/8	38	39	46	60	116	200
□ JSTR220	2	1 25/32	2 5/16	2 5/8	5 9/16	9 7/8	51	45	59	66	141	251
□ JSTR225	2 1/2	2 1/32	2 13/16	2 7/8	6 9/16	11 7/8	64	52	71	73	167	302
□ JSTR230	3	2 5/32	3 5/16	3 1/8	7 9/16	13 7/8	76	58	84	79	192	352



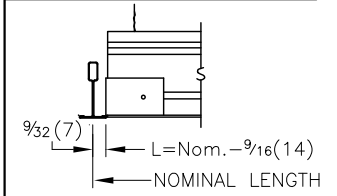
**JSTR-RETURN AIR**



**END CONDITION**



**□ TYPE 23**



**□ TYPE 24**

**JST/JSTI SUPPLY AIR**

MODEL	S SLOT	IMPERIAL UNITS											METRIC UNITS												
		A	C	H	□ 1 SLOT				□ 2 SLOT				S SLOT	A	C	H	□ 1 SLOT				□ 2 SLOT				
					F	E	W	D	G	E	W	D						F	E	W	D	G	E	W	D
□ JST210 □ JSTI210	1	1 9/32	1 5/16	2 1/8	12 1/2	3 9/16	3	8,*10,*12	18 1/2	5 7/8	5 5/16	8,10,12	25	32	33	54	318	90	76	203,*254,*305	470	149	135	203,254,305	
□ JST215 □ JSTI215	1 1/2	1 17/32	1 13/16	2 3/8	12 3/4	4 9/16	4	8,*10,*12	18 3/4	7 7/8	7 5/16	10,12,14	38	39	46	60	323	116	102	203,*254,*305	476	200	186	254,305,355	
□ JST220 □ JSTI220	2	1 25/32	2 5/16	2 5/8	13	5 9/16	5	8,*10,*12	19	9 7/8	9 5/16	10,12,14	51	45	59	66	330	141	127	203,*254,*305	482	251	237	254,305,355	
□ JST225 □ JSTI225	2 1/2	2 1/32	2 13/16	2 7/8	13 1/4	6 9/16	6	*12	19 1/4	11 7/8	11 5/16	14	64	52	71	73	336	167	152	*305	489	302	287	355	
□ JST230 □ JSTI230	3	2 5/32	3 5/16	3 1/8	13 1/2	7 9/16	7	*14	19 1/2	13 7/8	13 5/16	14	76	58	84	79	342	192	178	*355	495	352	338	355	

**SIZES:**

• NOMINAL LENGTH: □ 24 (610), □ 48 (1219), □ 60 (1524)

**MATERIAL:**

- EXTRUDED ALUMINUM FRAME & SPACER
- PATTERN CONTROLLERS - STEEL
- ENGINEERED PLENUM - COATED STEEL

**FINISH:**

- PATTERN CONTROLLERS AND INTERIOR B17 BLACK
- DIFFUSER FACE B12 WHITE
- (OPTIONAL FINISHES AVAILABLE)

**INSULATION OPTIONS (JSTI):**

- CF - COATED FIBERGLASS
- FF - FIBER FREE FOAM

**\* SUPPLIED AS EQUIVALENT OVAL:**

- 10 (254) = 8 X 10.945
- 12 (305) = 8 X 14.087
- 14 (356) = 8 X 17.228

**NOTE:**

- RECOMMENDED INSTALLATION:  
SUSPEND CUSTOM FLOW LINEAR DIFFUSERS WITH HANGER WIRE OR EQUIVALENT MATERIAL MAXIMUM 4'-0" O/C.
- JSTI PLENUM ENDCAPS ARE UNINSULATED
- 8EC - OPTIONAL CABLE OPERATED VCR8 DAMPER (NECK MOUNTED - ROUND INLETS ONLY)

ALL METRIC DIMENSIONS ( ) ARE SOFT CONVERTED. IMPERIAL DIMENSIONS ARE CONVERTED TO METRIC AND ROUNDED TO THE NEAREST MILLIMETER.

**PROJECT:**

**ENGINEER:**

**CUSTOMER:**

**SUBMITTAL DATE:**

**SPEC. SYMBOL:**

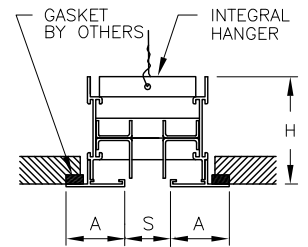
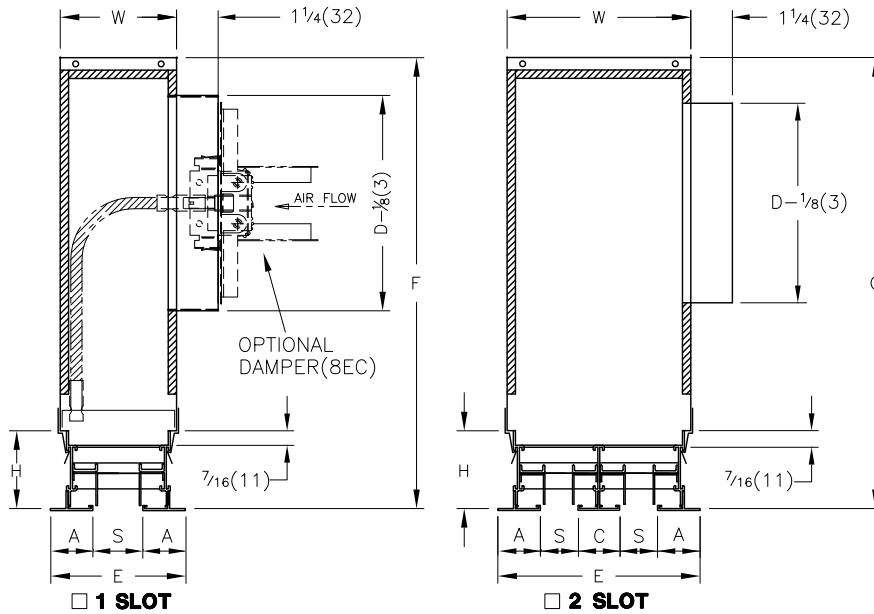


**CUSTOM FLOW**

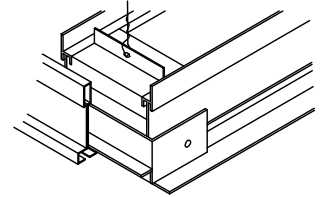
JST, JSTI, JSTR SERIES  
TYPE 23, 24  
LINEAR DIFFUSER

227460

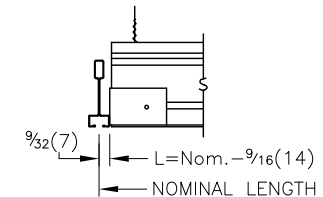
2009/05/07



**JSTR-RETURN AIR**



**END CONDITION**



**JST (NON-INSULATED) JSTI (INSULATED) SUPPLY AIR**

**JSTR (NON-DUCTED) RETURN AIR**

MODEL	IMPERIAL UNITS						METRIC UNITS					
	S SLOT	A	C	H	□ 1 SLOT E	□ 2 SLOT E	S	A	C	H	□ 1 SLOT E	□ 2 SLOT E
□ JSTR210	1	1 9/32	1 5/16	2 1/8	3 9/16	5 7/8	25	32	33	54	90	149
□ JSTR215	1 1/2	1 17/32	1 13/16	2 3/8	4 9/16	7 7/8	38	39	46	60	116	200
□ JSTR220	2	1 29/32	2 5/16	2 5/8	5 9/16	9 7/8	51	45	59	66	141	251
□ JSTR225	2 1/2	2 1/32	2 13/16	2 7/8	6 9/16	11 7/8	64	52	71	73	167	302
□ JSTR230	3	2 9/32	3 5/16	3 1/8	7 9/16	13 7/8	76	58	84	79	192	352

**JST/JSTI SUPPLY**

MODEL	IMPERIAL UNITS														METRIC UNITS									
	S SLOT	A	C	H	□ 1 SLOT				□ 2 SLOT				S SLOT	A	C	H	□ 1 SLOT				□ 2 SLOT			
					F	E	W	D	G	E	W	D					F	E	W	D	G	E	W	D
□ JST210 □ JSTI210	1	1 9/32	1 5/16	2 1/8	12 1/2	3 9/16	3	8,*10,*12	18 1/2	5 7/8	5 5/16	8,10,12	25	32	33	54	318	90	76	203,*254,*305	470	149	135	203,254,305
□ JST215 □ JSTI215	1 1/2	1 17/32	1 13/16	2 3/8	11 3/4	4 9/16	4	8,*10,*12	17 3/4	7 7/8	7 5/16	10,12,14	38	39	46	60	298	116	102	203,*254,*305	450	200	186	254,305,355
□ JST220 □ JSTI220	2	1 29/32	2 5/16	2 5/8	13	5 9/16	5	8,*10,*12	19	9 7/8	9 5/16	10,12,14	51	45	59	66	330	141	127	203,*254,*305	482	251	237	254,305,355
□ JST225 □ JSTI225	2 1/2	2 1/32	2 13/16	2 7/8	13 1/4	6 9/16	6	*12	19 1/4	11 7/8	11 5/16	14	64	52	71	73	336	167	152	*305	488	302	287	355
□ JST230 □ JSTI230	3	2 9/32	3 5/16	3 1/8	13 1/2	7 9/16	7	*14	19 1/2	13 7/8	13 5/16	14	76	58	84	79	342	192	178	*355	495	352	338	355

**SIZES:**

- NOMINAL LENGTH: □ 24 (610), □ 48 (1219), □ 60 (1524)

**MATERIAL:**

- EXTRUDED ALUMINUM FRAME & SPACER
- PATTERN CONTROLLERS - STEEL
- ENGINEERED PLENUM - COATED STEEL

**FINISH:**

- PATTERN CONTROLLERS AND INTERIOR B17 BLACK
- DIFFUSER FACE B12 WHITE (OPTIONAL FINISHES AVAILABLE)

**INSULATION OPTIONS (JSTI):**

- CF - COATED FIBERGLASS
- FF - FIBER FREE FOAM

**\* SUPPLIED AS EQUIVALENT OVAL:**

- 10 (254) = 8 X 10.945
- 12 (305) = 8 X 14.087
- 14 (356) = 8 X 17.228

**NOTE:**

- RECOMMENDED INSTALLATION: SUSPEND CUSTOM FLOW LINEAR DIFFUSERS WITH HANGER WIRE OR EQUIVALENT MATERIAL MAXIMUM 4'-0" O/C.
- JSTI PLENUM ENDCAPS ARE UNINSULATED
- 8EC - OPTIONAL CABLE OPERATED VCR8 DAMPER (NECK MOUNTED - ROUND INLETS ONLY)

ALL METRIC DIMENSIONS ( ) ARE SOFT CONVERTED. IMPERIAL DIMENSIONS ARE CONVERTED TO METRIC AND ROUNDED TO THE NEAREST MILLIMETER.

**PROJECT:**

**ENGINEER:**

**CUSTOMER:**

**SUBMITTAL DATE:**

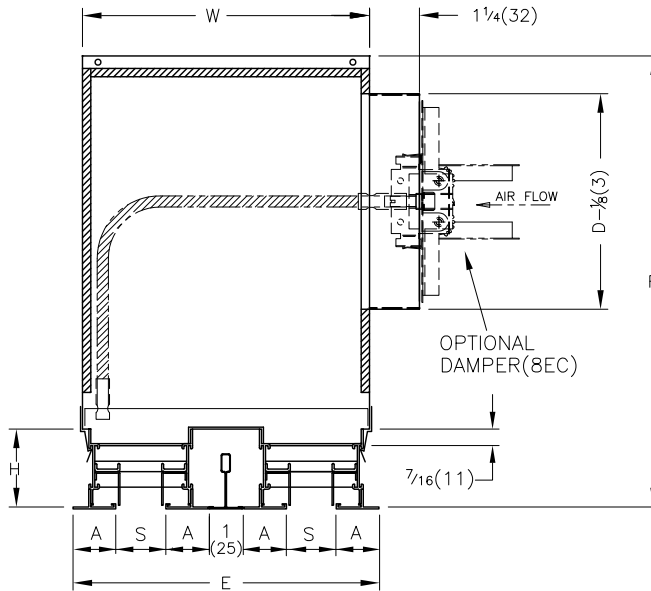
**SPEC. SYMBOL:**



**CUSTOM FLOW**  
JST, JSTI, JSTR SERIES  
TYPE 25  
LINEAR DIFFUSER

227461

2009/05/07



**JST (NON-INSULATED) JSTI (INSULATED) SUPPLY AIR**  
1 (25) STRADDLE T-BAR

**JST/JSTI SUPPLY AIR**

MODEL	IMPERIAL UNITS						METRIC UNITS					
	S SLOT	A	H	F	E	W	S SLOT	A	H	F	E	W
<input type="checkbox"/> JST210 <input type="checkbox"/> JSTI210	1	1 9/32	2 1/8	18 1/2	8 1/8	7 9/16	25	32	54	470	206	192
<input type="checkbox"/> JST215 <input type="checkbox"/> JSTI215	1 1/2	1 17/32	2 3/8	17 3/4	10 1/8	9 9/16	38	39	60	450	257	243
<input type="checkbox"/> JST220 <input type="checkbox"/> JSTI220	2	1 25/32	2 5/8	19	12 1/8	11 9/16	51	45	66	482	308	294
<input type="checkbox"/> JST225 <input type="checkbox"/> JSTI225	2 1/2	2 1/32	2 7/8	19 1/4	14 1/8	13 9/16	64	52	73	488	359	344
<input type="checkbox"/> JST230 <input type="checkbox"/> JSTI230	3	2 9/32	3 1/8	19 1/2	16 1/8	15 9/16	76	58	79	495	409	395

**SIZES:**

- NOMINAL LENGTH:  24 (610),  48 (1219),  60 (1524)

**INLET SIZES:**

- NOMINAL (D) DIA.:  8 (203),  10 (254),  12 (305),  14 (356)

**MATERIAL:**

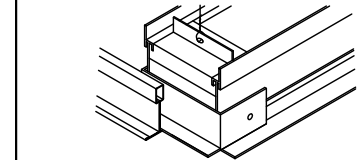
- EXTRUDED ALUMINUM FRAME & SPACER
- PATTERN CONTROLLERS - STEEL
- ENGINEERED PLENUM - COATED STEEL

**INSULATION OPTIONS (JSTI):**

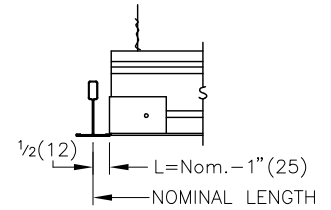
- CF - COATED FIBERGLASS
- FF - FIBER FREE FOAM

**FINISH:**

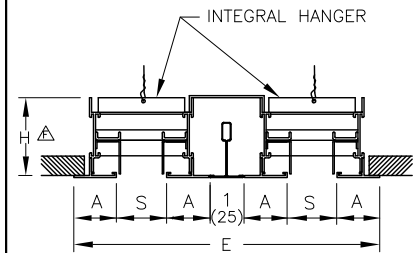
- PATTERN CONTROLLERS AND INTERIOR B17 BLACK
- DIFFUSER FACE B12 WHITE
- (OPTIONAL FINISHES AVAILABLE)



**END CONDITION**



**TYPE 26**



**JSTR-RETURN AIR**

**JSTR (NON-DUCTED) RETURN AIR**

MODEL	IMPERIAL UNITS				METRIC UNITS			
	S SLOT	A	H	E	S SLOT	A	H	E
<input type="checkbox"/> JSTR210	1	1 9/32	2 1/8	8 1/8	25	32	54	206
<input type="checkbox"/> JSTR215	1 1/2	1 17/32	2 3/8	10 1/8	38	39	60	257
<input type="checkbox"/> JSTR220	2	1 25/32	2 5/8	12 1/8	51	45	66	308
<input type="checkbox"/> JSTR225	2 1/2	2 1/32	2 7/8	14 1/8	64	52	73	359
<input type="checkbox"/> JSTR230	3	2 9/32	3 1/8	16 1/8	76	58	79	409

**NOTE:**

- RECOMMENDED INSTALLATION: SUSPEND CUSTOM FLOW LINEAR DIFFUSERS WITH HANGER WIRE OR EQUIVALENT MATERIAL MAXIMUM 4'-0" O/C.
- JSTI PLENUM ENDCAPS ARE UNINSULATED
- 8EC - OPTIONAL CABLE OPERATED VCR8 DAMPER (NECK MOUNTED - ROUND INLETS ONLY)

ALL METRIC DIMENSIONS ( ) ARE SOFT CONVERTED. IMPERIAL DIMENSIONS ARE CONVERTED TO METRIC AND ROUNDED TO THE NEAREST MILLIMETER.

**PROJECT:**

**ENGINEER:**

**CUSTOMER:**

**SUBMITTAL DATE:**

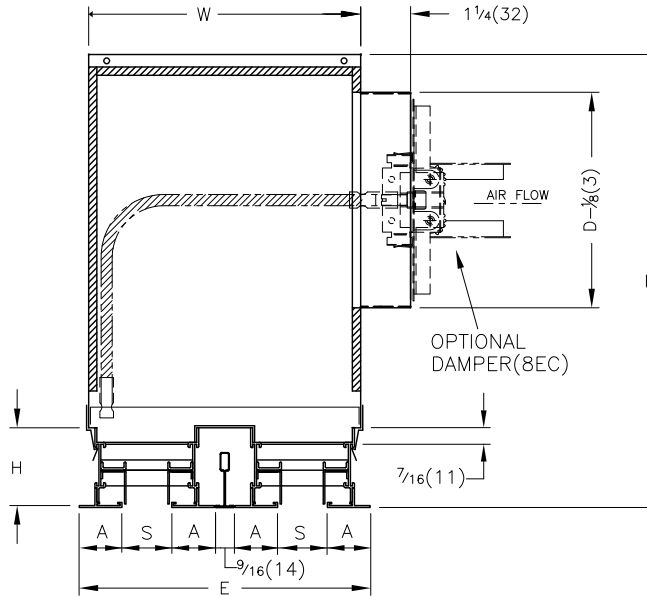
**SPEC. SYMBOL:**



227462

2009/05/07

**CUSTOM FLOW**  
JST, JSTI, JSTR SERIES  
TYPE 26  
LINEAR DIFFUSER



**JST (NON-INSULATED) JSTI (INSULATED) SUPPLY AIR**  
 $\frac{9}{16}$ (14) STRADDLE T-BAR

**JST/JSTI SUPPLY AIR**

MODEL	IMPERIAL UNITS						METRIC UNITS					
	S SLOT	A	H	F	E	W	S SLOT	A	H	F	E	W
<input type="checkbox"/> JST210 <input type="checkbox"/> JSTI210	1	1 $\frac{9}{32}$	2 $\frac{1}{8}$	18 $\frac{1}{2}$	7 $\frac{11}{16}$	7 $\frac{3}{32}$	25	32	54	470	195	180
<input type="checkbox"/> JST215 <input type="checkbox"/> JSTI215	1 $\frac{1}{2}$	1 $\frac{17}{32}$	2 $\frac{3}{8}$	17 $\frac{3}{4}$	9 $\frac{11}{16}$	9 $\frac{3}{32}$	38	39	60	450	246	231
<input type="checkbox"/> JST220 <input type="checkbox"/> JSTI220	2	1 $\frac{25}{32}$	2 $\frac{5}{8}$	19	11 $\frac{11}{16}$	11 $\frac{3}{32}$	51	45	66	482	297	282
<input type="checkbox"/> JST225 <input type="checkbox"/> JSTI225	2 $\frac{1}{2}$	2 $\frac{1}{32}$	2 $\frac{7}{8}$	19 $\frac{1}{4}$	13 $\frac{11}{16}$	13 $\frac{3}{32}$	64	52	73	488	348	333
<input type="checkbox"/> JST230 <input type="checkbox"/> JSTI230	3	2 $\frac{9}{32}$	3 $\frac{1}{8}$	19 $\frac{1}{2}$	15 $\frac{11}{16}$	15 $\frac{3}{32}$	76	58	79	495	398	383

**SIZES:**

- NOMINAL LENGTH:  24 (610),  48 (1219),  60 (1524)

**INLET SIZES:**

- NOMINAL (D) DIA.:  8 (203),  10 (254),  12 (305),  14 (356)

**MATERIAL:**

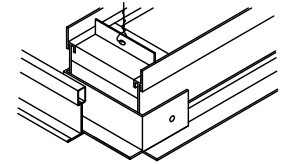
- EXTRUDED ALUMINUM FRAME & SPACER
- PATTERN CONTROLLERS – STEEL
- ENGINEERED PLENUM – COATED STEEL

**INSULATION OPTIONS (JSTI):**

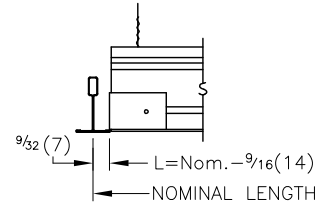
- CF – COATED FIBERGLASS
- FF – FIBER FREE FOAM

**FINISH:**

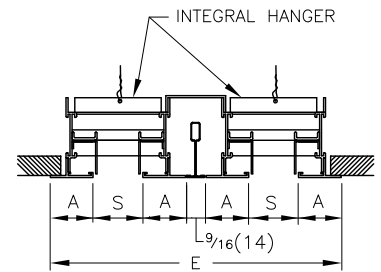
- PATTERN CONTROLLERS AND INTERIOR B17 BLACK
- DIFFUSER FACE B12 WHITE (OPTIONAL FINISHES AVAILABLE)



**END CONDITION**



**TYPE 27**



**JSTR-RETURN AIR**

**JSTR (NON-DUCTED) RETURN AIR**

MODEL	IMPERIAL UNITS				METRIC UNITS			
	S SLOT	A	H	E	S SLOT	A	H	E
<input type="checkbox"/> JSTR210	1	1 $\frac{9}{32}$	2 $\frac{1}{8}$	7 $\frac{11}{16}$	25	32	54	195
<input type="checkbox"/> JSTR215	1 $\frac{1}{2}$	1 $\frac{17}{32}$	2 $\frac{3}{8}$	9 $\frac{11}{16}$	38	39	60	246
<input type="checkbox"/> JSTR220	2	1 $\frac{25}{32}$	2 $\frac{5}{8}$	11 $\frac{11}{16}$	51	45	66	297
<input type="checkbox"/> JSTR225	2 $\frac{1}{2}$	2 $\frac{1}{32}$	2 $\frac{7}{8}$	13 $\frac{11}{16}$	64	52	73	348
<input type="checkbox"/> JSTR230	3	2 $\frac{9}{32}$	3 $\frac{1}{8}$	15 $\frac{11}{16}$	76	58	79	383

**NOTE:**

- RECOMMENDED INSTALLATION: SUSPEND CUSTOM FLOW LINEAR DIFFUSERS WITH HANGER WIRE OR EQUIVALENT MATERIAL MAXIMUM 4'-0" O/C.
- JSTI PLENUM ENDCAPS ARE UNINSULATED
- 8EC – OPTIONAL CABLE OPERATED VCR8 DAMPER (NECK MOUNTED – ROUND INLETS ONLY)

ALL METRIC DIMENSIONS ( ) ARE SOFT CONVERTED. IMPERIAL DIMENSIONS ARE CONVERTED TO METRIC AND ROUNDED TO THE NEAREST MILLIMETER.

**PROJECT:**

**ENGINEER:**

**CUSTOMER:**

**SUBMITTAL DATE:**

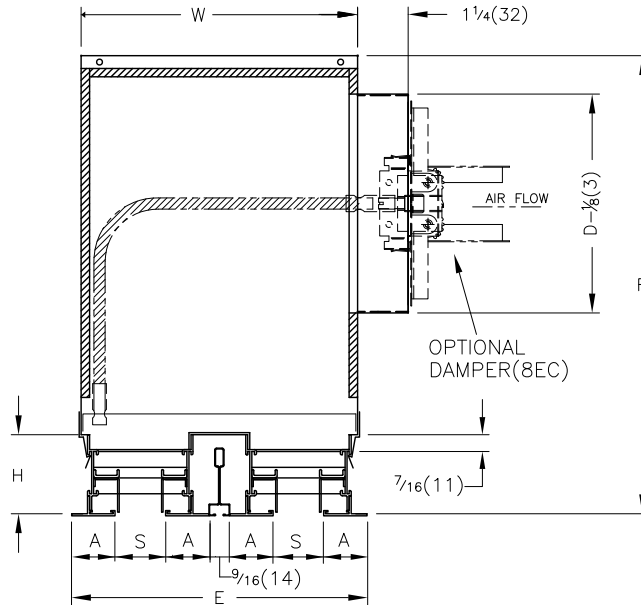
**SPEC. SYMBOL:**



227463

2009/05/07

**CUSTOM FLOW**  
 JST, JSTI, JSTR SERIES  
 TYPE 27  
 LINEAR DIFFUSER



**JST (NON-INSULATED) JSTI (INSULATED) SUPPLY AIR**  
 $\frac{9}{16}$ (14) SLIMLINE (BOLT SLOT)

**JST/JSTI SUPPLY AIR**

MODEL	IMPERIAL UNITS						METRIC UNITS					
	S SLOT	A	H	F	E	W	S SLOT	A	H	F	E	W
<input type="checkbox"/> JST210 <input type="checkbox"/> JSTI210	1	1 $\frac{9}{32}$	2 $\frac{1}{8}$	18 $\frac{1}{2}$	7 $\frac{11}{16}$	7 $\frac{3}{32}$	25	32	54	470	195	180
<input type="checkbox"/> JST215 <input type="checkbox"/> JSTI215	1 $\frac{1}{2}$	1 $\frac{17}{32}$	2 $\frac{3}{8}$	17 $\frac{3}{4}$	9 $\frac{11}{16}$	9 $\frac{3}{32}$	38	39	60	450	246	231
<input type="checkbox"/> JST220 <input type="checkbox"/> JSTI220	2	1 $\frac{25}{32}$	2 $\frac{5}{8}$	19	11 $\frac{11}{16}$	11 $\frac{3}{32}$	51	45	66	482	297	282
<input type="checkbox"/> JST225 <input type="checkbox"/> JSTI225	2 $\frac{1}{2}$	2 $\frac{1}{32}$	2 $\frac{7}{8}$	19 $\frac{1}{4}$	13 $\frac{11}{16}$	13 $\frac{3}{32}$	64	52	73	488	348	333
<input type="checkbox"/> JST230 <input type="checkbox"/> JSTI230	3	2 $\frac{9}{32}$	3 $\frac{1}{8}$	19 $\frac{1}{2}$	15 $\frac{11}{16}$	15 $\frac{3}{32}$	76	58	79	495	398	383

**SIZES:**

- NOMINAL LENGTH:  24 (610),  48 (1219),  60 (1524)

**INLET SIZES:**

- NOMINAL (D) DIA.:  8 (203),  10 (254),  12 (305),  14 (356)

**MATERIAL:**

- EXTRUDED ALUMINUM FRAME & SPACER
- PATTERN CONTROLLERS – STEEL
- ENGINEERED PLENUM – COATED STEEL

**INSULATION OPTIONS (JSTI):**

- CF – COATED FIBERGLASS
- FF – FIBER FREE FOAM

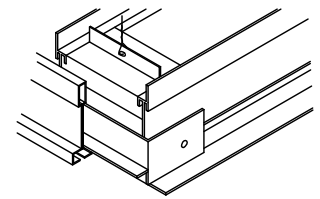
**FINISH:**

- PATTERN CONTROLLERS AND INTERIOR B17 BLACK
- DIFFUSER FACE B12 WHITE
- (OPTIONAL FINISHES AVAILABLE)

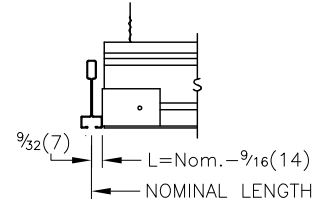
**NOTE:**

- RECOMMENDED INSTALLATION:  
SUSPEND CUSTOM FLOW LINEAR DIFFUSERS WITH HANGER WIRE OR EQUIVALENT MATERIAL MAXIMUM 4'-0" O/C.
- JSTI PLENUM ENDCAPS ARE UNINSULATED
- 8EC – OPTIONAL CABLE OPERATED VCR8 DAMPER (NECK MOUNTED – ROUND INLETS ONLY)

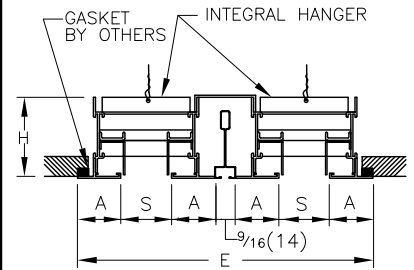
ALL METRIC DIMENSIONS ( ) ARE SOFT CONVERTED. IMPERIAL DIMENSIONS ARE CONVERTED TO METRIC AND ROUNDED TO THE NEAREST MILLIMETER.



**END CONDITION**



**TYPE 28**



**JSTR-RETURN AIR**

**JSTR (NON-DUCTED) RETURN AIR**

MODEL	IMPERIAL UNITS				METRIC UNITS			
	S SLOT	A	H	E	S SLOT	A	H	E
<input type="checkbox"/> JSTR210	1	1 $\frac{9}{32}$	2 $\frac{1}{8}$	7 $\frac{11}{16}$	25	32	54	195
<input type="checkbox"/> JSTR215	1 $\frac{1}{2}$	1 $\frac{17}{32}$	2 $\frac{3}{8}$	9 $\frac{11}{16}$	38	39	60	246
<input type="checkbox"/> JSTR220	2	1 $\frac{25}{32}$	2 $\frac{5}{8}$	11 $\frac{11}{16}$	51	45	66	297
<input type="checkbox"/> JSTR225	2 $\frac{1}{2}$	2 $\frac{1}{32}$	2 $\frac{7}{8}$	13 $\frac{11}{16}$	64	52	73	348
<input type="checkbox"/> JSTR230	3	2 $\frac{9}{32}$	3 $\frac{1}{8}$	15 $\frac{11}{16}$	76	58	79	383

**PROJECT:**

**ENGINEER:**

**CUSTOMER:**

**SUBMITTAL DATE:**

**SPEC. SYMBOL:**



227464

2009/05/07

**CUSTOM FLOW**  
 JST, JSTI, JSTR SERIES  
 TYPE 28  
 LINEAR DIFFUSER