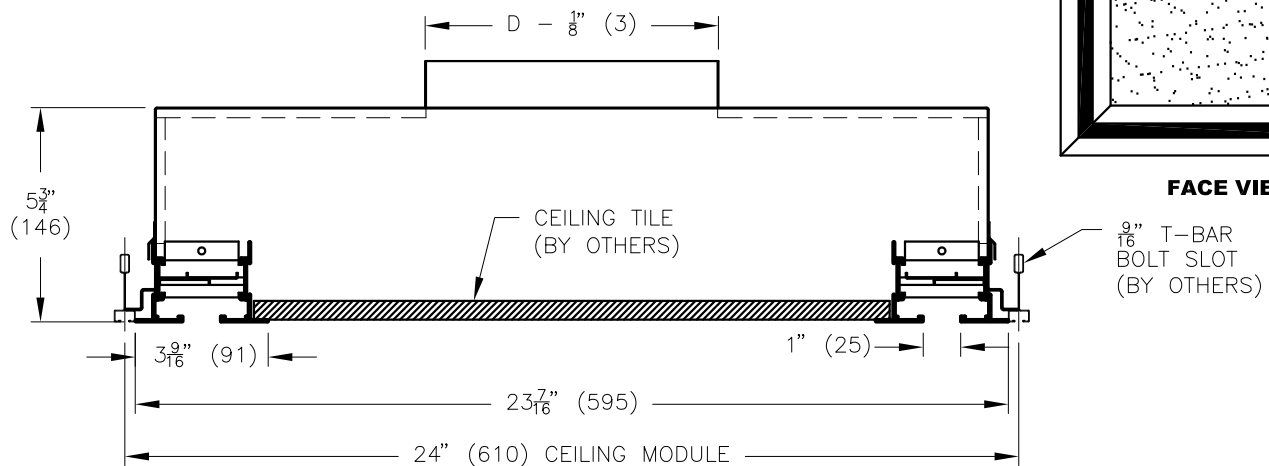
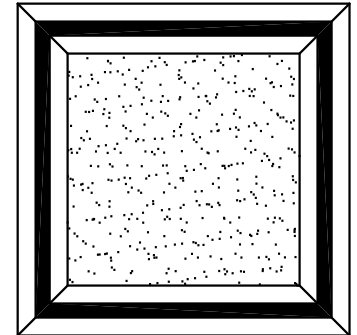


**MODELS ASM210, ASMI210, ASMR210**



**MODELS ASMS210, ASMSI210, ASMSR210**



**FACE VIEW**

**NOMINAL INLET SIZES:**

- D = 6" (152)
- D = 8" (203)
- D = 10" (254)

**FINISH:**

- PATTERN CONTROLLERS – B17 BLACK
- DIFFUSER FACE – B12 WHITE (OPTIONAL FINISHES AVAILABLE)
- MILL FINISH PLENUM

**MATERIAL:**

- EXTRUDED ALUMINUM FRAME & SPACERS
- PATTERN CONTROLLERS ARE HEAVY GAUGE STEEL
- COATED STEEL PLENUM

**INSULATION - MODELS ASMI210, ASMSI210:**

- CF – COATED FIBERGLASS


**NOTE:**

- 24" x 24" (610x610) CEILING MODULE SIZE
- RETURN MODELS SUPPLIED WITHOUT PATTERN CONTROLLERS

**MODELS:**

- ASM210 – 4 SIDED SUPPLY 1" T-BAR
- ASMI210 – 4 SIDED SUPPLY 1" T-BAR, INSULATED PLENUM
- ASMR210 – 4 SIDED RETURN 1" T-BAR
- ASMS210 – 4 SIDED SUPPLY 9/16" BOLT SLOT T-BAR
- ASMSI210 – 4 SIDED SUPPLY 9/16" BOLT SLOT T-BAR, INSULATED PLENUM
- ASMSR210 – 4 SIDED RETURN 9/16" BOLT SLOT T-BAR

ALL METRIC DIMENSIONS ( ) ARE SOFT CONVERTED. IMPERIAL DIMENSIONS ARE CONVERTED TO METRIC AND ROUNDED TO THE NEAREST MILLIMETER.

<b>PROJECT:</b>			
<b>ENGINEER:</b>			
<b>CUSTOMER:</b>		227465	<b>CUSTOM FLOW</b> ASM210, ASMR210, ASMS210, ASMSR210 4 SIDED DIFFUSER
<b>SUBMITTAL DATE:</b>	<b>SPEC. SYMBOL:</b>	2011/08/12	