

PRICE®

LFDC/AMDC/RFDC/RVDC

SERVICE & INSTALLATION MANUAL

Date: 11/05
Reference #: E-35

www.price-hvac.com

Issued date	Part qty	Factory order no	Completion date	Sch date	Comment/Tag	Operator Initials
-------------	----------	------------------	-----------------	----------	-------------	-------------------

INSTRUCTIONS FOR LFDC, AMDC, RFDC, RVDC

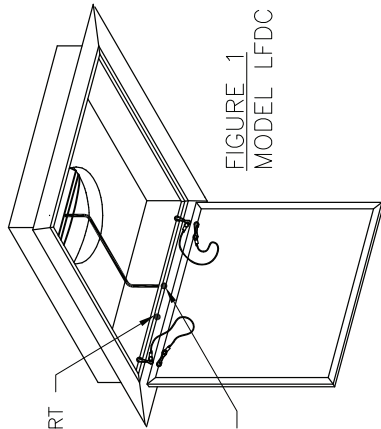


FIGURE 1
MODEL LFDC

OPTIONAL REMOTE DAMPER OPERATOR
CLOCKWISE OPERATION
OPENS DAMPER

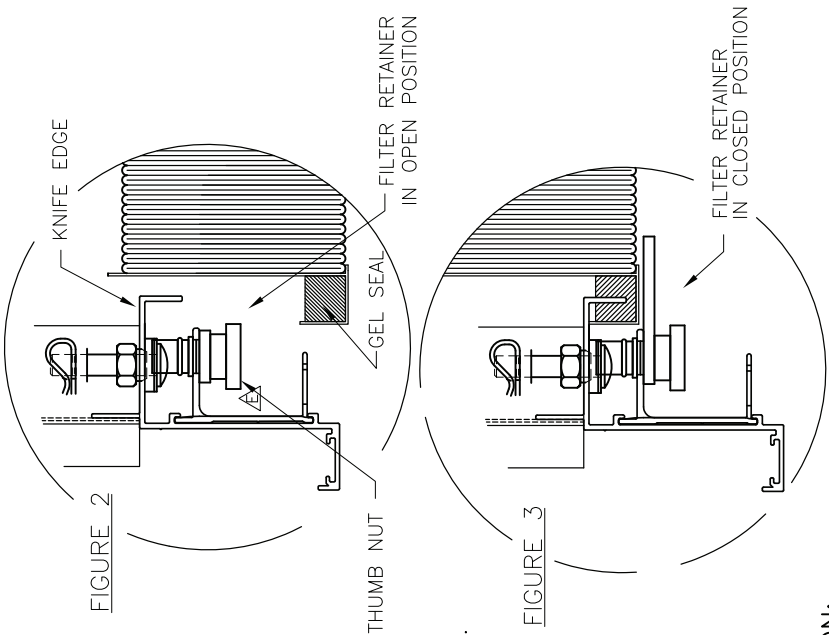


FIGURE 2

FIGURE 3

KNIFE EDGE
GEL SEAL
FILTER RETAINER IN OPEN POSITION
THUMB NUT

FILTER RETAINER IN CLOSED POSITION

1. INSTALLING FILTERS:

- TWO INSTALLERS ARE RECOMMENDED FOR PROPER INSTALLATION.
- AFTER DIFFUSER IS INSTALLED IN CEILING OPEN FACE PANEL (SEE FIGURE 1).
- PLACE ALL FILTER RETAINERS TO THE OPEN POSITION, LOOSEN THUMB NUTS IF NECESSARY (SEE FIGURE 2).
- TWO INSTALLERS LIFT THE FILTER SO THAT KNIFE EDGE CONTACTS CENTER OF GEL SEAL. PUSH FILTER FRAME STRAIGHT INTO KNIFE EDGE UNTIL IT BOTTOMS OUT.
- CLOSE ALL FILTER RETAINERS, THEN TIGHTEN REMAINING THUMB NUTS (SEE FIGURE 3).

2. ADJUSTING OPTIONAL DAMPER:

- FOR FACE ACCESSIBLE OPTION REMOVE PLUG AND TURN REMOTE DAMPER OPERATOR SCREW THROUGH FACE.
- FOR STANDARD FACE USE 1/4 TURN FASTENERS TO REMOVE FACE AND TURN REMOTE DAMPER OPERATOR SCREW

3. STATIC PRESSURE PORT:

- USED TO MEASURE PRESSURE DROP ACROSS FILTER OR TO SAMPLE AEROSOL CONCENTRATIONS BEFORE FILTER WHEN TESTING FILTER FOR LEAKS.

CAUTION:
HANDLE FILTER BY FRAME ONLY, NOT BY FILTER MEDIA. AVOID SIDE TO SIDE MOVEMENT OF THE FILTER IN THE DIFFUSER. SIDE TO SIDE MOVEMENT COULD CAUSE GEL SEAL TO TEAR.

***REPLACEMENT FILTERS ARE AVAILABLE FROM EH PRICE**

ECN	040854	103351	040751	Description	LFDC, AMDC, RFDC, RVDC INSTRUCTIONS ENGLISH
Date	2004/05/31	2010/12/20	2004/05/12	Drawn by	DD
Revision	D (WT)	E (AP)	C (WT)	Appr'd	
				Scale	NTS
				Date (yy/mm/yy)	1996/08/02
				Drawing no.	900033
				Revision	E
				Sheet	1 of 2

Dash No.	001	ENGLISH	Description
----------	-----	---------	-------------



IN THE UNITED STATES



2975 Shawnee Ridge Court
Suwanee, Georgia USA 30024
Ph: 770.623.8050 Fax: 770.623.6404

- US Head Office, Laboratory & Testing Facilities, Manufacturing Facilities & Distribution Warehouse in Atlanta, Georgia
- US Representatives in most major cities

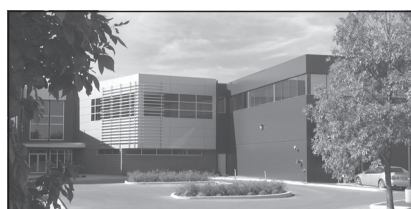


IN THE UNITED STATES



999 North Thornton Road
Casa Grande, Arizona USA 85222-3809
Fax: 520.423.0517

- Manufacturing Facilities & Distribution Warehouse in Casa Grande, Arizona
- US Representatives in most major cities



IN CANADA



638 Raleigh Street
Winnipeg, Manitoba Canada R2K 3Z9
Ph: 204.669.4220 Fax: 204.663.2715

- Head Office, Export Sales Office, Laboratory & Testing Facilities, Manufacturing Facilities & Distribution Warehouse in Winnipeg, Manitoba
- Canadian Sales Offices in most major cities

Your Local Price Representative:

The founding principles of our company have never changed – business integrity, first class service and a commitment to people. Price manufacturing endeavours arose from our belief that we could supply superior products and services at a reasonable price. Our mission is to become the worldwide supplier of preference for air distribution products and services. You can rely on Price – our products and services – with confidence.

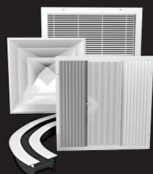
Product Improvement is a continuing endeavour at Price. Therefore, specifications are subject to change without notice. Consult your Price sales representative for current specifications or more detailed information.

Warranty: The Company warrants and guarantees that all goods within this catalog that have been manufactured by the Company have been manufactured in accordance with the specifications published herein and will be free from defects in material and workmanship for a period of twelve (12) months from the date of Bill of Lading issued by the Company. The Company will replace defective product at its option, but will not be responsible for labor or material charges in replacing product or consequential damages. Any installation not conforming with the Company's specifications, manuals, bulletins or instructions or any misuse or any modification not authorized by the Company voids this warranty. This warranty is in lieu of all Provincial, State, and Federal statutory warranties and the conditions herein are in substitution and replacement of such warranties, statutory or otherwise.

© Price is a registered trademark of E.H. Price Limited. © 2005.

Lithographed in Canada 11/05

AIR DISTRIBUTION PRODUCTS FOR WORLD CLASS CITIES



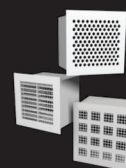
Grilles, Registers & Diffusers



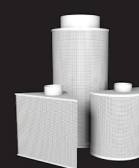
Terminal Units



Underfloor Products



Security Products



Displacement Ventilation