



PRICE[®]

DR90
DISPLACEMENT VENTILATION
INSTALLATION & SERVICE MANUAL
II-00021

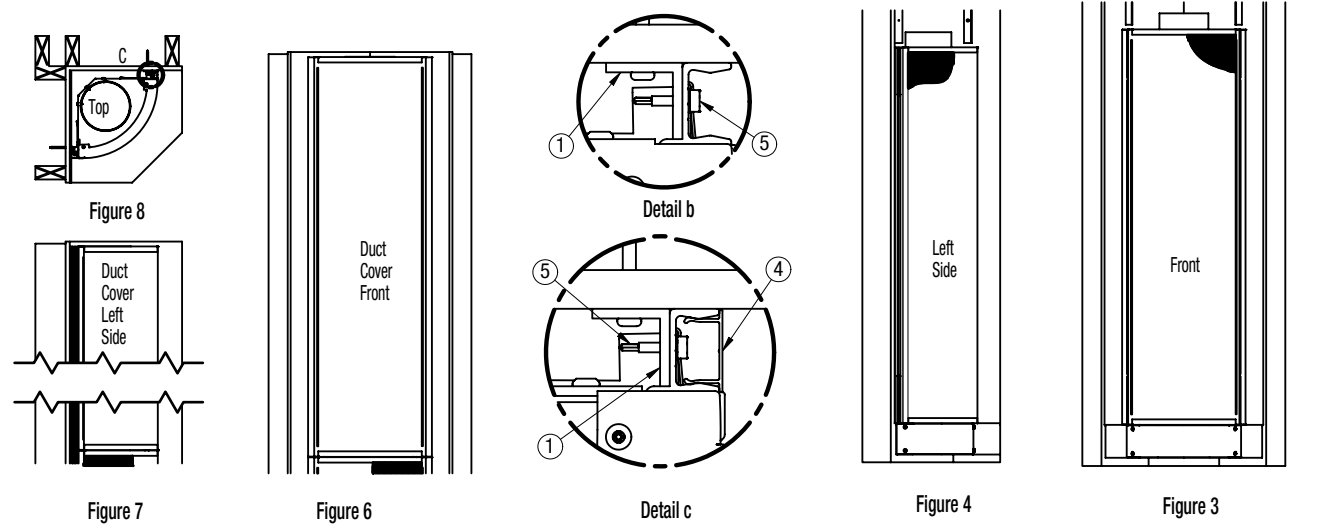
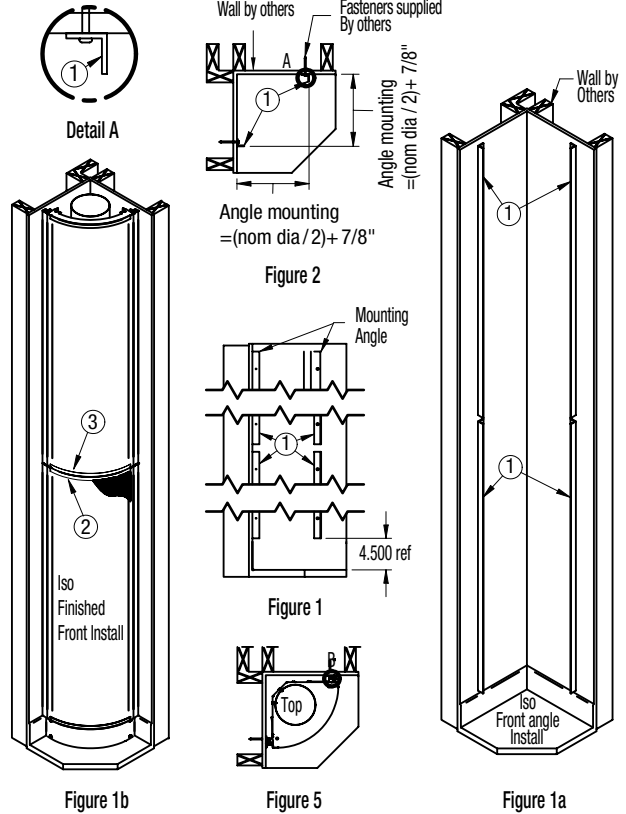
Date: 04/12
Reference #: J-10t

www.price-hvac.com

Installation Instructions

DR90 W/DUCT COVER

- 1) Remove trim cover (item 4) by putting finger in opening (see detail C) at top or bottom and pull slowly to prevent bending of trim piece. Keep close for use in final step of installation.
- 2) Mounting angles are shipped attached to the diffuser. Remove two screws holding the mounting angle to corner extrusion (see detail B).
- 3) Locate and install 1" x 1" x .100" mounting angles to the wall in desired location. The mounting angles shall be installed perpendicular to the floor as per figure 1 and spaced apart as per dimension given in table 2. Failure to position angles upright and perpendicular to the floor will result in poor installation. Fasteners supplied by others. All mounting angles can be installed at same time (see figure 1a).
- 4) Install diffuser (item 2) over the mounting angles so that the back of the diffuser is flush with the wall (see figure 3, 4, & 5). Fasten diffuser to mounting angles with screws (item 5). Use minimum 2 screws per side of diffuser.
- 5) Install duct as required.
- 6) Install duct cover mounting angle in line with the diffuser mounting angle. Install duct cover (item 3) as described in step 4.
- 7) Tap cover (item 4) into place with rubber mallet or neoprene hammer. Care should be taken not to mark/damage trim cover, diffuser or surrounding wall.



See table 3 on sheet 2 of 2
 for inlet locations

Item#	Description	Note
1	Mounting Angle x 2	Attached to Diffuser & DC for shipping
2	DR90 Diffuser x 1	
3	DR90 Duct Cover (DC)	1 unit up to 60"/multiple units over 60"
4	Cover Trim x 2	Attached to diffuser & DC for shipping
5	Screws	Attached to diffuser & DC for shipping

NOM DIA	Distance from corner
18	9 7/8"
24	12 7/8"
30	15 7/8"
36	18 7/8"
42	21 7/8"
48	24 7/8"
Other	(NOM DIA/2) = 7/8"

PRICE

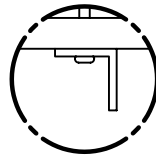
DR90
Field Installation
Instructions

II00021
July 2011

Installation Instructions

DR90 NO DUCT COVER

- 1) Remove trim cover (item 4) by putting finger in opening (see section E-E) at bottom and pulling slowly to prevent bending of trim piece. Keep close for use in final step of installation.
- 2) Mounting angles are shipped attached to the diffuser. Remove two screws holding the mounting angle to corner extrusion (see section E-E).
- 3) Locate and install 1" x 1" x .100" mounting angles to the wall in desired location. The mounting angles shall be installed perpendicular to the floor as per figure 10 and spaced apart as per dimension given in table 2. Failure to position angles upright and perpendicular to the floor will result in poor installation. Fasteners supplied by others.
- 4) Attach duct to diffuser inlet.
- 5) Install diffuser (item 2) over the mounting angles so that the back of the diffuser is flush with the wall (see figure 13 & 14). Fasten diffuser to mounted angles with screws (item 5). Use minimum 2 screws per side of diffuser. Base cover may need to be removed to access duct for bottom ducted units if one was supplied.
- 6) Tap trim cover into place with rubber mallet or neoprene hammer. Care should be taken not to mark/damage trim cover, diffuser or surrounding wall.



Detail D

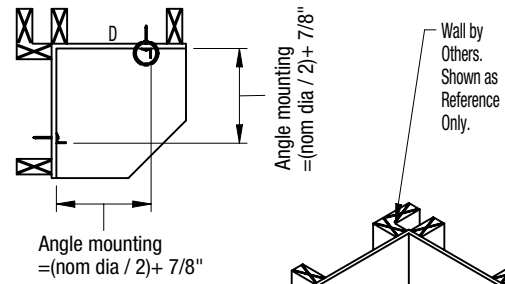


Figure 11

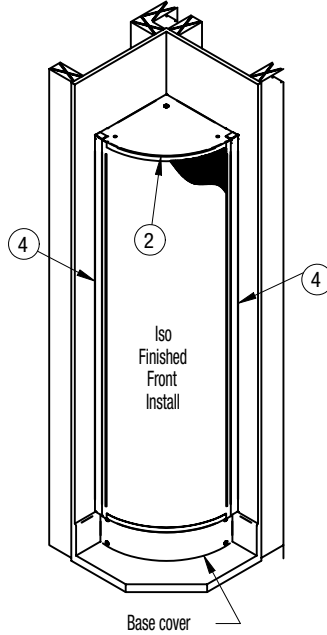


Figure 13 b

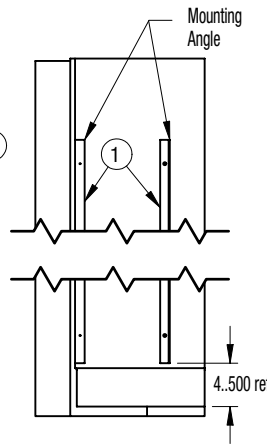


Figure 10

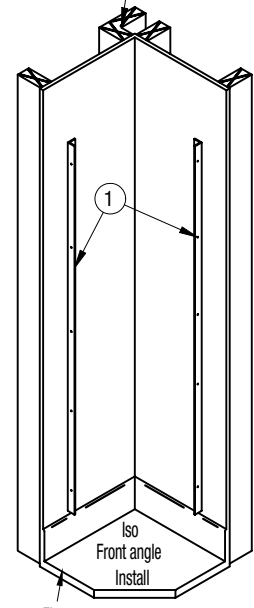


Figure 10a

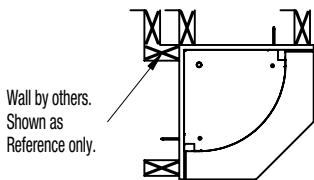
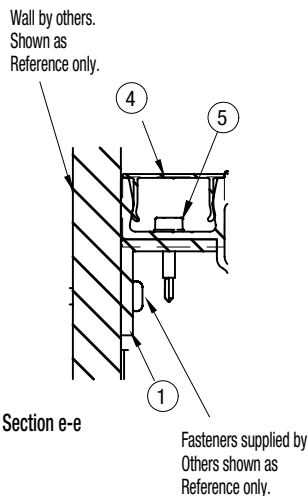


Figure 14



Section e-e

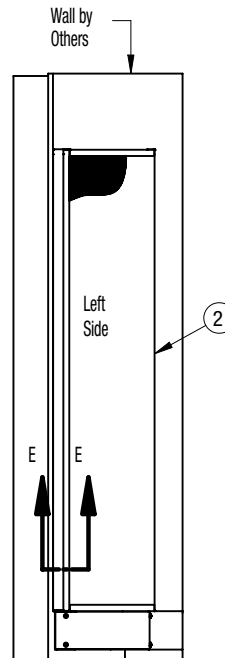


Figure 12

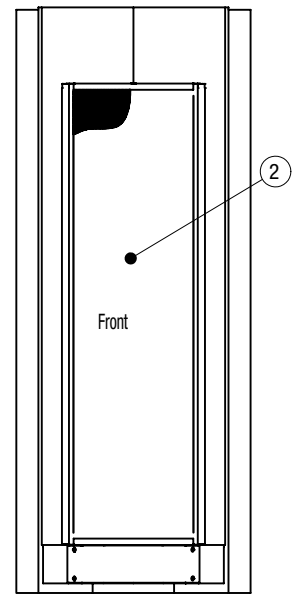


Figure 13

DR90	Field Installation Instructions
II00021	
July 2011	

Table 3	
Inlet Location	Tolerance +/-1/16"
Top	1 3/8" from both walls in corner
Bottom	1 3/8" from both walls in corner



2975 Shawnee Ridge Court
 Suwanee, Georgia USA 30024
 Ph: 770.623.8050 Fax: 770.623.6404

- U.S. Head Office
- Price Technical Center
- Atlanta Manufacturing Facility



1290 Barrow Industrial Parkway
 Winder, Georgia USA 30680-5704

- Atlanta Manufacturing Facility



999 North Thornton Road
 Casa Grande, Arizona USA 85222-3809

- Price Technical Center West
- Phoenix Manufacturing Facility



638 Raleigh Street
 Winnipeg, Manitoba Canada R2K 3Z9
 Ph: 204.669.4220 Fax: 204.663.2715

- Canadian Head Office
- Price Research Center North
- International Sales Office
- Winnipeg Manufacturing Facility



130B Pippin Road
 Vaughan, Ontario Canada L4K 4X9

- Toronto Manufacturing Facility

Product Improvement is a continuing endeavour at Price. Therefore, specifications are subject to change without notice. Consult your Price Sales Representative for current specifications or more detailed information. Not all products may be available in all geographic areas.

All goods described in this brochure are warranted as described in the Limited Warranty shown at the web site www.price-hvac.com.

The Price catalog is available online at www.price-hvac.com

