



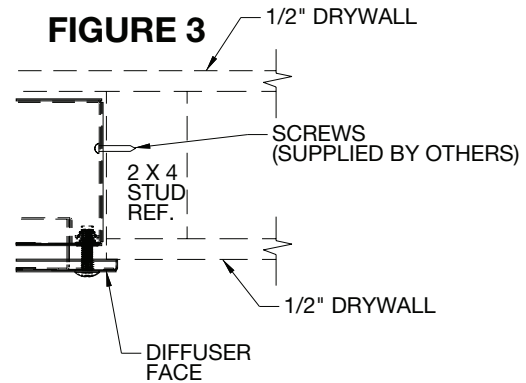
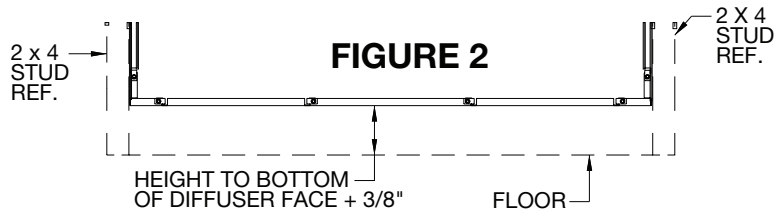
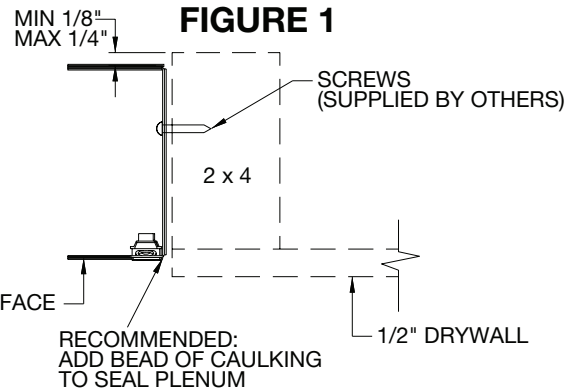
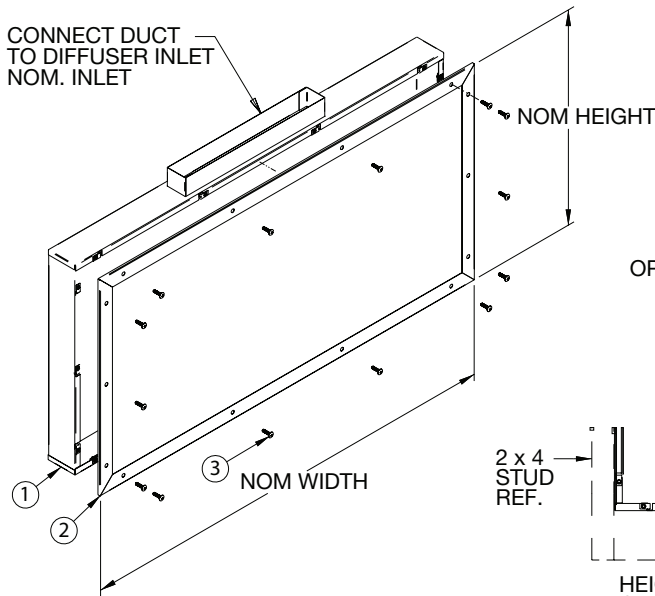
**PRICE**<sup>®</sup>

**DF1W-RF**  
**DISPLACEMENT VENTILATION**  
**INSTALLATION MANUAL**  
**II-00016**

Date: 12/09  
Reference #: J-10p

[www.price-hvac.com](http://www.price-hvac.com)

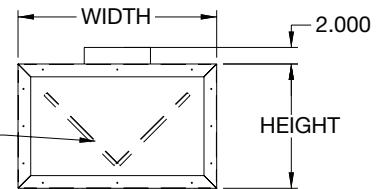
# Installation Instructions



- 1) MAKE SURE PLENUM (ITEM 1) IS PROTRUDING A 1/4" FROM THE FACE OF THE STUDS TO ALLOW DRYWALL TO BUTT UP AGAINST PLENUM FOR BETTER AIR SEAL FOR THE DIFFUSER (SEE FIGURE 1).
- 2) MEASURE FROM THE FLOOR TO THE BOTTOM OF THE PLENUM FOR DESIRED HEIGHT OF DIFFUSER FACE, e.g. IF A HEIGHT OF 12" IS REQUIRED ADD 3/8" TO THIS TO MOUNT THE PLENUM BOX AT THE APPROPRIATE HEIGHT. (FIGURE 2) TOTAL MEASURED HEIGHT WOULD BE 12 3/8" TO THE BOTTOM OF THE PLENUM. FASTEN PLENUM BOX WITH SCREWS (SUPPLIED BY OTHERS)
- 3) INSERT THE DIFFUSER FACE INTO THE PLENUM, USE THE PRICE SUPPLIED SCREWS TO MOUNT THE DIFFUSER FACE TO THE PLENUM. (FIGURE 3)
- 4) NOTE: ON UNITS THAT HAVE THE SECONDARY BAFFLE SEE FIGURE 4 FOR BAFFLE DIRECTION.

ITEM #	DESCRIPTION
1	PLENUM x 1
2	FACE x 1
3	SCREWS

MAKE SURE THAT THE SECONDARY BAFFLE IS POINTING DOWN AWAY FROM THE INLET. BAFFLE IS ONLY FOR UNITS THAT ARE 36" WIDE AND 48" WIDE



**FIGURE 4**

NOTE: STANDARD SCREWS ISSUED WITH DF1W DISPLACEMENT UNIT ARE 1 1/2" 1/4-20 STAINLESS STEEL TH. SCREW. THESE WILL WORK WITH UP TO 3/4" THICK DRYWALL. IF DRYWALL IS THICKER THAN 3/4" A DIFFERENT LENGTH SCREW MUST BE REQUESTED AT TIME OF ORDERING.

**READ ALL INSTRUCTIONS BEFORE INSTALL**





**PRICE**  
INDUSTRIES

2975 Shawnee Ridge Court  
Suwanee, Georgia USA 30024  
Ph: 770.623.8050 Fax: 770.623.6404



**PRICE**  
INDUSTRIES

1290 Barrow Industrial Parkway  
Auburn, Georgia USA 30011



**PRICE**  
INDUSTRIES

999 North Thornton Road  
Casa Grande, Arizona USA 85222-3809



**e.h. price**  
LIMITED

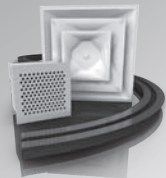
638 Raleigh Street  
Winnipeg, Manitoba Canada R2K 3Z9  
Ph: 204.669.4220 Fax: 204.663.2715

The founding principles of our company have never changed - business integrity, first class service and a commitment to people. Price manufacturing endeavors arose from our belief that we could supply superior products and services at a reasonable price. Our mission is to become the worldwide supplier of preference for air distribution products and services. You can rely on Price – our products and services – with confidence.

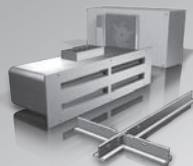
**Warranty:** The Company warrants and guarantees that all goods within this catalog that have been manufactured by the Company have been manufactured in accordance with the specifications published herein and will be free from defects in material and workmanship for a period of twelve (12) months from the date of Bill of Lading issued by the Company. The Company will replace defective product at its option, but will not be responsible for labor or material charges in replacing product or consequential damages. Any installation not conforming with the Company's specifications, manuals, bulletins or instructions or any misuse or any modification not authorized by the Company voids this warranty. This warranty is in lieu of all Provincial, State, and Federal statutory warranties and the conditions herein are in substitution and replacement of such warranties, statutory or otherwise.

Your Local Price Representative:

Grilles & Diffusers



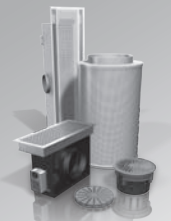
Critical Environments



Terminals



Sustainable Building



Noise Control

