



PRICE[®]

DF1R
DISPLACEMENT VENTILATION
INSTALLATION & SERVICE MANUAL
II-00015

Date: 04/12
Reference #: J-10o

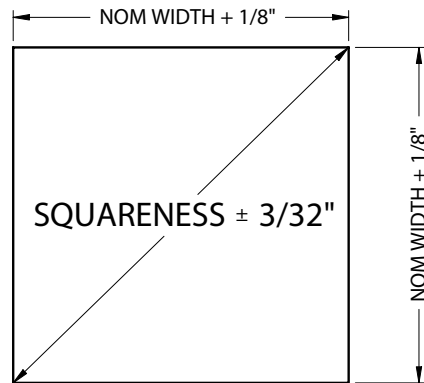
www.price-hvac.com

Installation Instructions

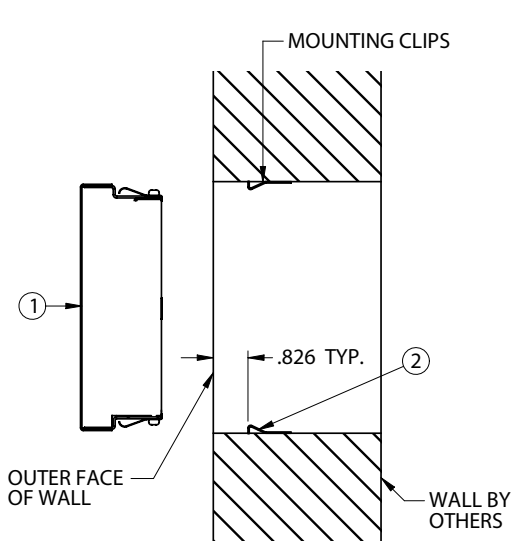
SINGLE UNIT - STANDARD FRAME

- 1) Check the opening to insure that squareness of the opening is within the tolerance (see Figure A-A). If squareness is not within tolerance then correct opening.
- 2) Drill holes in mounting brackets as required. The mounting brackets are 1" shorter than the dimension of unit.
- 3) Install mounting frame into opening with fasteners (supplied by others). Make sure fasteners are secured to a solid base (see Section B-B).
- 4) Insert DF1R into the opening making sure that the mounting clips engage with the mounting brackets. (see Section C-C and Section D-D on page 3)

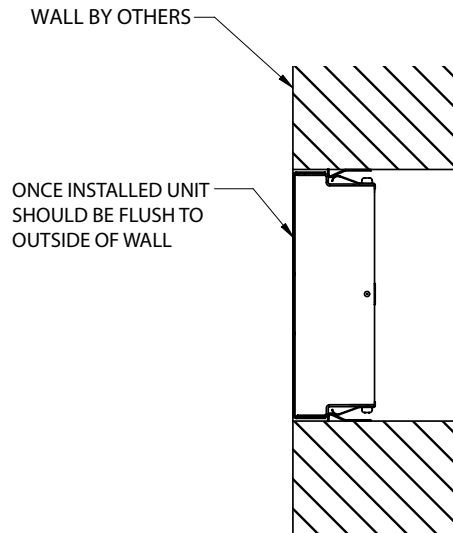
FIGURE A-A



DIFFERENCE BETWEEN
 DIAGONALS CANNOT
 EXCEED 3/16"



SECTION B-B



SECTION C-C

ITEM #	DESCRIPTION
1	DIFFUSER (x1)
2	LONG MOUNTING BRACKET (x2)
3	SHORT MOUNTING BRACKET (x2)

READ ALL INSTRUCTIONS BEFORE INSTALL

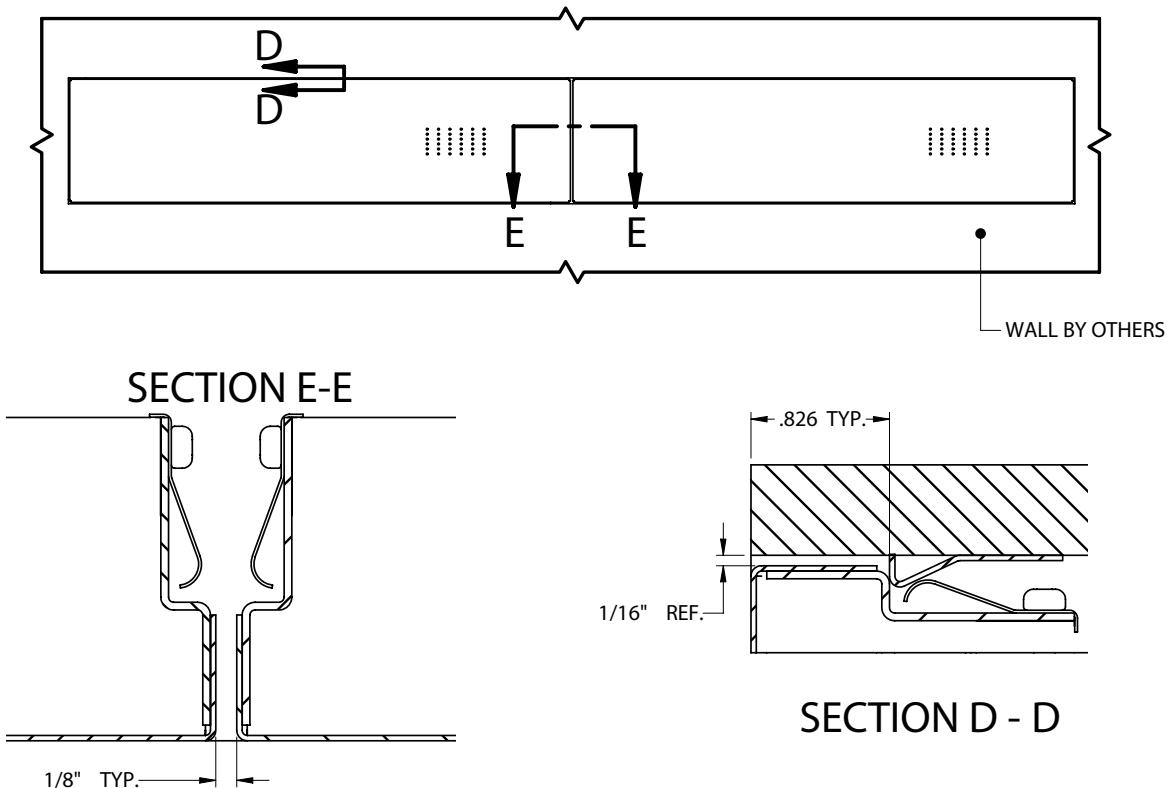
PRICE	
	DF1R
II00015	FIELD INSTALLATION INSTRUCTIONS
MAR 2011	

Installation Instructions

MULTIPLE UNITS

- 1) Check the opening to insure that squareness of the opening is within the tolerance (see Figure A-A on page 2). If squareness is not within tolerance then correct opening.
- 2) Drill holes in mounting brackets as required. The mounting brackets are supplied in multiple sections. The O.A (overall length) of the brackets is 1" shorter than the O.A. dimension of all units.
- 3) Install mounting frames into opening with fasteners (supplied by others). Make sure fasteners are secured to a solid base (see Figure B-B on page 2).
- 4) Insert DF1R into the opening making sure that the mounting clips engage with the mounting bracket. Repeat for additional DF1R's. (See Section E-E and Section D-D)

NOTE: End mounting brackets are not required between multiple sections.



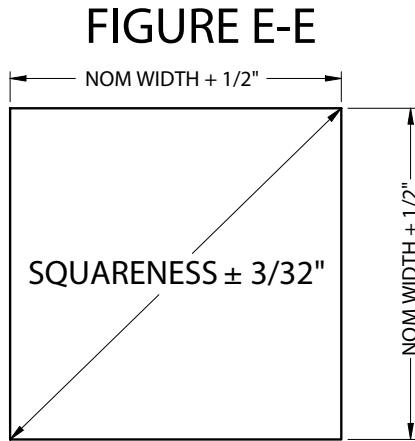
ITEM #	DESCRIPTION	MULTIPLY DESCRIPTION QTY.
1	DIFFUSER (x1)	BY # OF SECTIONS 2 ONLY
2	LONG MOUNTING BRACKET (x2)	
3	SHORT MOUNTING BRACKET (x2)	

READ ALL INSTRUCTIONS BEFORE INSTALL

	DF1R FIELD INSTALLATION INSTRUCTIONS
II00015	
MAR 2011	

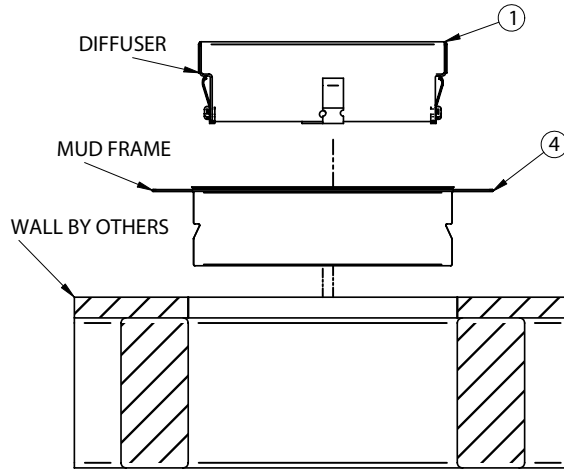
Installation Instructions

DF1R WITH MUD FRAME

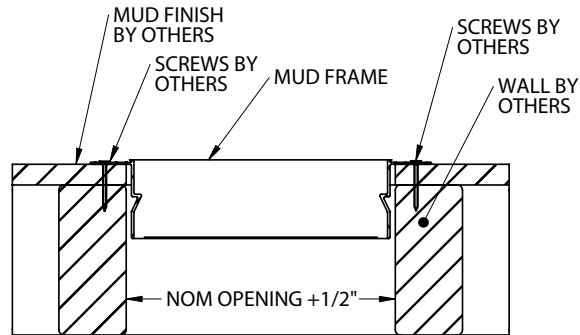


DIFFERENCE BETWEEN
 DIAGONALS CANNOT
 EXCEED 3/16"

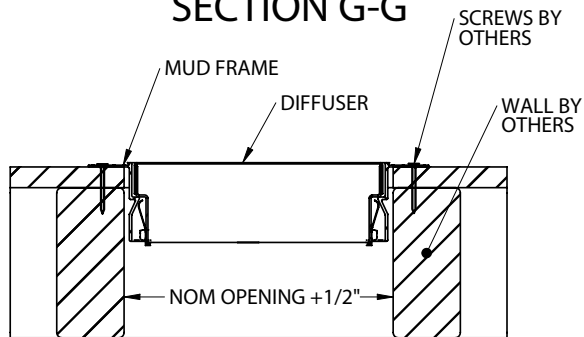
- 1) Check the opening to insure that squareness of the opening is within the tolerance (see Figure E-E). If squareness is not within tolerance then correct opening.
- 2) Install mud frame (supplied mill finish standard) into opening with fasteners (supplied by others). Make sure fasteners are secured to a solid base (see Section G-G).
- 3) Frame to be finished in place and painted before diffuser is inserted into opening.
- 4) Insert DR1R into the opening making sure that the mounting clips engage with the mounting brackets. (see Section H-H)



SECTION F-F



SECTION G-G



SECTION H-H

ITEM #	DESCRIPTION
1	DIFFUSER (x1)
4	MUD FRAME (x1)

PRICE	
	DF1R
II00015	FIELD INSTALLATION INSTRUCTIONS
MAR 2011	

PRICE®



2975 Shawnee Ridge Court
 Suwanee, Georgia USA 30024
 Ph: 770.623.8050 Fax: 770.623.6404

- U.S. Head Office
- Price Technical Center
- Atlanta Manufacturing Facility



1290 Barrow Industrial Parkway
 Winder, Georgia USA 30680-5704

- Atlanta Manufacturing Facility



999 North Thornton Road
 Casa Grande, Arizona USA 85222-3809

- Price Technical Center West
- Phoenix Manufacturing Facility



638 Raleigh Street
 Winnipeg, Manitoba Canada R2K 3Z9
 Ph: 204.669.4220 Fax: 204.663.2715

- Canadian Head Office
- Price Research Center North
- International Sales Office
- Winnipeg Manufacturing Facility



130B Pippin Road
 Vaughan, Ontario Canada L4K 4X9

- Toronto Manufacturing Facility

Product Improvement is a continuing endeavour at Price. Therefore, specifications are subject to change without notice. Consult your Price Sales Representative for current specifications or more detailed information. Not all products may be available in all geographic areas.

All goods described in this brochure are warranted as described in the Limited Warranty shown at the web site www.price-hvac.com.

The Price catalog is available online at www.price-hvac.com

