



PRICE[®]

**DF1C DUCT COVER
DISPLACEMENT VENTILATION
INSTALLATION & SERVICE MANUAL
II-00009**

Date: 04/12
Reference #: J-10i

www.price-hvac.com

Installation Instructions

- 1) Bend the tabs on the duct cover caps in the upward position (figure 1). Fasten a duct cover cap (item 1) to the top of the displacement diffuser ensuring that the tabs are facing up (figure 2). Fasten the mounting flange to the wall with the tabs located at the end of the flange (figure 6).
- 2) Place each piece of extrusion (item 2) on the duct cover cap (figure 3), ensuring that the profile face of the extrusion matches the diffuser (detail B). Screw each piece of extrusion to the wall.
- 3) Insert the duct cover panel (item 3) into the extrusion (figure 4). Ensure that the cover is captured between the outer lip and inner lip of the mounting plate (detail C).
- 4) Place the duct cover cap (item 1) on the duct cover ensuring that the cover is captured between the outer lip and inner lip (figure 5).
- 5) Fasten the tabs at the end of the top mounting plate to the wall as shown in figure 6.

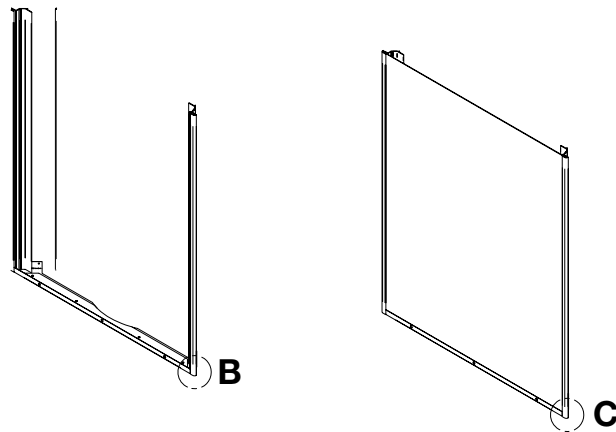
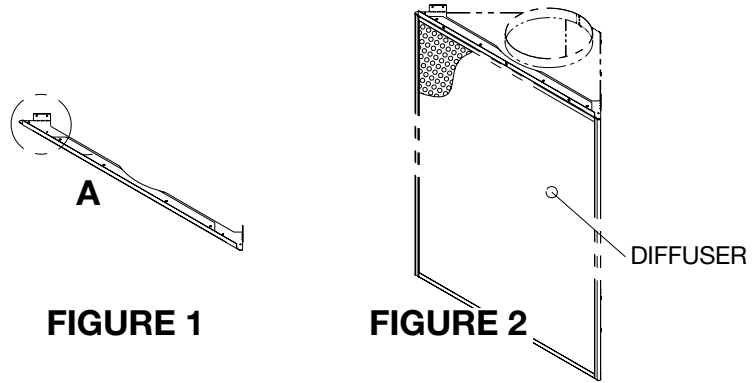
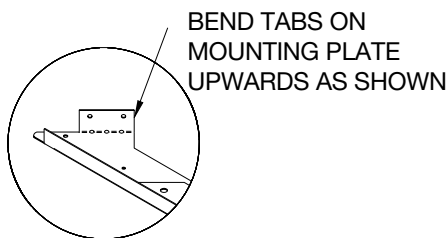
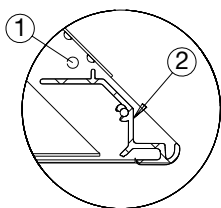


FIGURE 3 **FIGURE 4**

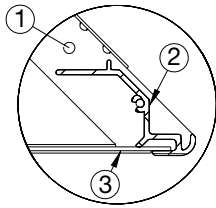
TABLE 1	
Item	Description
1	Duct Cover Cap x 2
2	Extrusion x 2
3	Duct Cover Panel x 1



DETAIL A



DETAIL B



DETAIL C

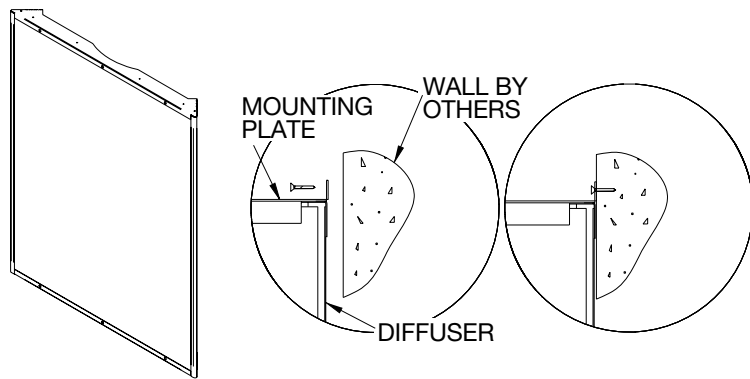


FIGURE 5

FIGURE 6

READ INSTRUCTIONS COMPLETELY BEFORE STARTING

PRICE®



2975 Shawnee Ridge Court
 Suwanee, Georgia USA 30024
 Ph: 770.623.8050 Fax: 770.623.6404

- U.S. Head Office
- Price Technical Center
- Atlanta Manufacturing Facility



1290 Barrow Industrial Parkway
 Winder, Georgia USA 30680-5704

- Atlanta Manufacturing Facility



999 North Thornton Road
 Casa Grande, Arizona USA 85222-3809

- Price Technical Center West
- Phoenix Manufacturing Facility



638 Raleigh Street
 Winnipeg, Manitoba Canada R2K 3Z9
 Ph: 204.669.4220 Fax: 204.663.2715

- Canadian Head Office
- Price Research Center North
- International Sales Office
- Winnipeg Manufacturing Facility



130B Pippin Road
 Vaughan, Ontario Canada L4K 4X9

- Toronto Manufacturing Facility

Product Improvement is a continuing endeavour at Price. Therefore, specifications are subject to change without notice. Consult your Price Sales Representative for current specifications or more detailed information. Not all products may be available in all geographic areas.

All goods described in this brochure are warranted as described in the Limited Warranty shown at the web site www.price-hvac.com.

The Price catalog is available online at www.price-hvac.com

