



PRICE[®]

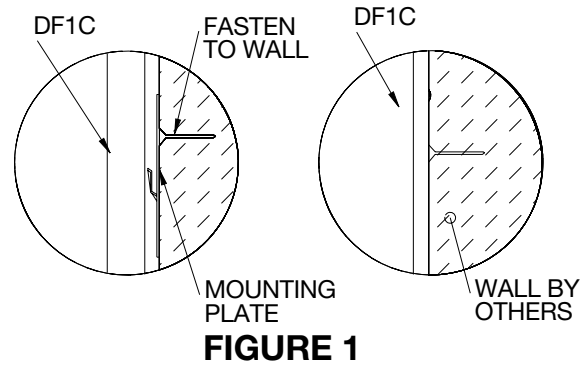
DF1C
DISPLACEMENT VENTILATION
INSTALLATION & SERVICE MANUAL
II-00008

Date: 04/12
Reference #: J-10h

www.price-hvac.com

Installation Instructions

- 1) Fasten the mounting plate (item 2) to the wall at the specified distance above the floor (See Table 1, Figure 1 and Figure 2 for reference).
- 2) Ensure that the corresponding knock-outs have been removed from the rear of the diffuser.
- 3) Orient the diffuser such that the inlet is in line with the duct connection and the knock-outs line up with the mounting plate (figure 1). Slide the diffuser onto the wall mounting plate and gently push down on the diffuser to lock into place (figure 2).



Optional base cover installation:

- 1) Align the base with the legs (figure B1).
- 2) Slide the base against the legs (figure B2) and snap the fasteners into place as shown (figure B3).

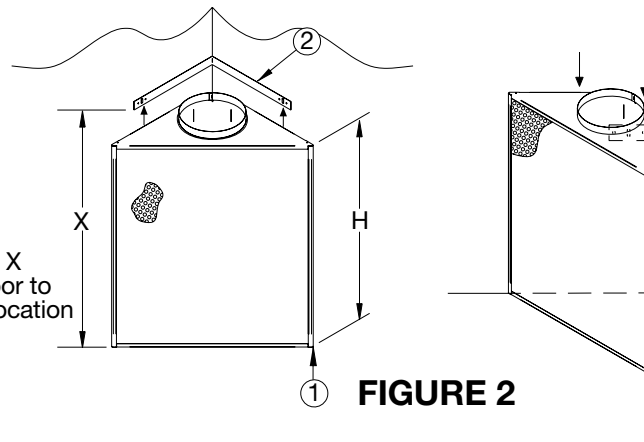
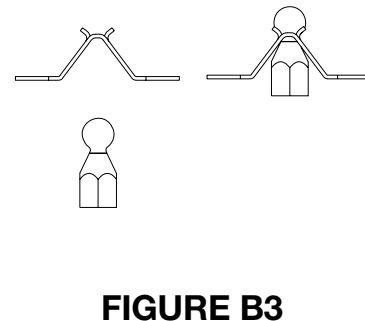
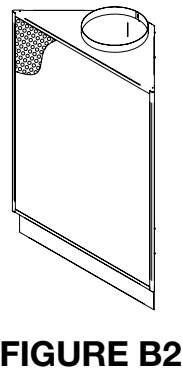
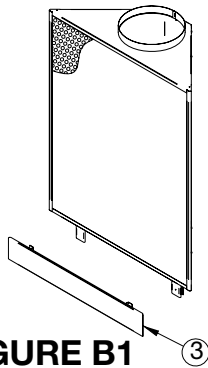


TABLE 1	
Overall Height of Unit	X
24.0	19.0
36.0	31.0
48.0	43.0
60.0	55.0
Other	Height-5.0



Item #	Description
1	DF1C x 1
2	Mounting Plate x 1
3	(Optional) Base Cover x 1

READ INSTRUCTIONS COMPLETELY BEFORE STARTING

PRICE®



2975 Shawnee Ridge Court
 Suwanee, Georgia USA 30024
 Ph: 770.623.8050 Fax: 770.623.6404

- U.S. Head Office
- Price Technical Center
- Atlanta Manufacturing Facility



1290 Barrow Industrial Parkway
 Winder, Georgia USA 30680-5704

- Atlanta Manufacturing Facility



999 North Thornton Road
 Casa Grande, Arizona USA 85222-3809

- Price Technical Center West
- Phoenix Manufacturing Facility



638 Raleigh Street
 Winnipeg, Manitoba Canada R2K 3Z9
 Ph: 204.669.4220 Fax: 204.663.2715

- Canadian Head Office
- Price Research Center North
- International Sales Office
- Winnipeg Manufacturing Facility



130B Pippin Road
 Vaughan, Ontario Canada L4K 4X9

- Toronto Manufacturing Facility

Product Improvement is a continuing endeavour at Price. Therefore, specifications are subject to change without notice. Consult your Price Sales Representative for current specifications or more detailed information. Not all products may be available in all geographic areas.

All goods described in this brochure are warranted as described in the Limited Warranty shown at the web site www.price-hvac.com.

The Price catalog is available online at www.price-hvac.com

