



**PRICE**<sup>®</sup>

**DF1/DF3 BASE COVER  
DISPLACEMENT VENTILATION  
INSTALLATION & SERVICE MANUAL  
II-00007**

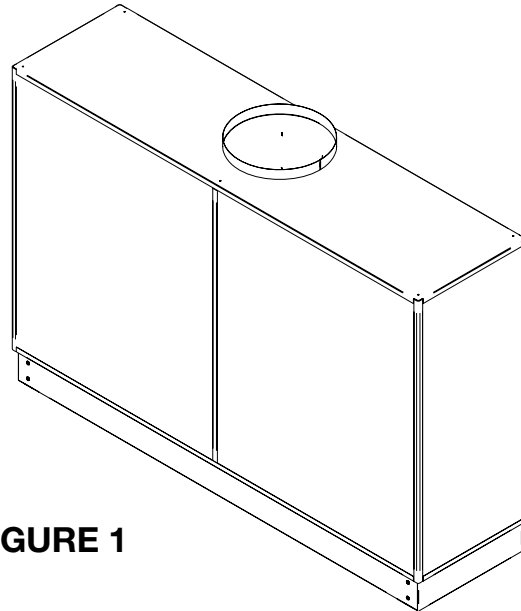
Date: 04/12  
Reference #: J-10g

[www.price-hvac.com](http://www.price-hvac.com)

## Installation Instructions

### FOR TOP AND REAR DUCTED UNITS

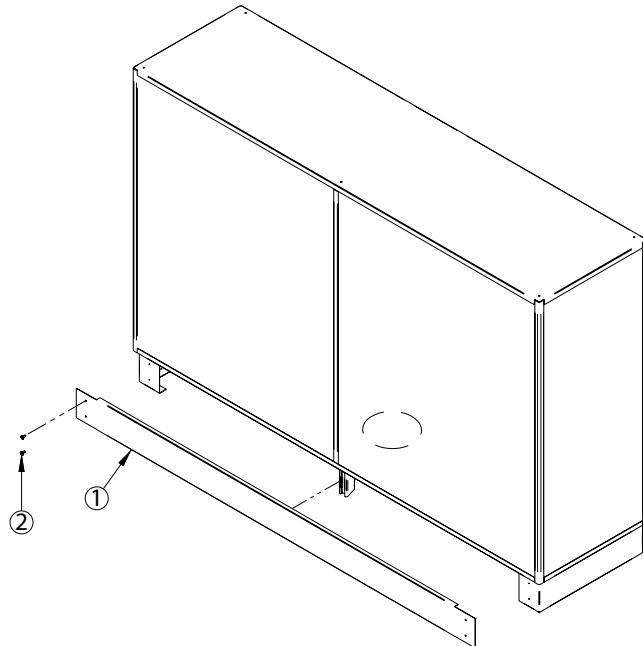
- 1) Base cover is shipped attached to the bottom of the unit (Figure 1)



**FIGURE 1**

### FOR BOTTOM DUCTED UNITS

- 1) Remove base cover from bottom of unit (Figure 2).
- 2) Proceed with standard installation of bottom ducted unit (see ii00005).
- 3) Re-install base cover using painted screws removed in step 1.



**FIGURE 2**

Item #	Description
1	Base Cover x 1
2	Painted Screws x 4

**READ INSTRUCTIONS COMPLETELY BEFORE STARTING**



# PRICE®



2975 Shawnee Ridge Court  
 Suwanee, Georgia USA 30024  
 Ph: 770.623.8050 Fax: 770.623.6404

- U.S. Head Office
- Price Technical Center
- Atlanta Manufacturing Facility



1290 Barrow Industrial Parkway  
 Winder, Georgia USA 30680-5704

- Atlanta Manufacturing Facility



999 North Thornton Road  
 Casa Grande, Arizona USA 85222-3809

- Price Technical Center West
- Phoenix Manufacturing Facility



638 Raleigh Street  
 Winnipeg, Manitoba Canada R2K 3Z9  
 Ph: 204.669.4220 Fax: 204.663.2715

- Canadian Head Office
- Price Research Center North
- International Sales Office
- Winnipeg Manufacturing Facility



130B Pippin Road  
 Vaughan, Ontario Canada L4K 4X9

- Toronto Manufacturing Facility

**Product Improvement** is a continuing endeavour at Price. Therefore, specifications are subject to change without notice. Consult your Price Sales Representative for current specifications or more detailed information. Not all products may be available in all geographic areas.

All goods described in this brochure are warranted as described in the Limited Warranty shown at the web site [www.price-hvac.com](http://www.price-hvac.com).

The Price catalog is available online at [www.price-hvac.com](http://www.price-hvac.com)

