

PRICE[®]

PRICE PASSIVE BEAMS INSTALLATION, OPERATION AND MAINTENANCE MANUAL

Date: 11/10
Reference #: H-45

www.price-hvac.com

Price Passive Beams – Installation Instructions

These installation instructions apply to Price passive beam models PCBL.

Identification

PCBL:

- Flat heat exchanger
- Located in a sheet metal skirt

Handling

- Avoid introducing contaminants into the unit, keep the grill face and water connection piping covered at all time during the installation process.
- Storage of the units should be in a covered, dry location while waiting for installation. Location should be cleaned of excess dust before installation.



Installation

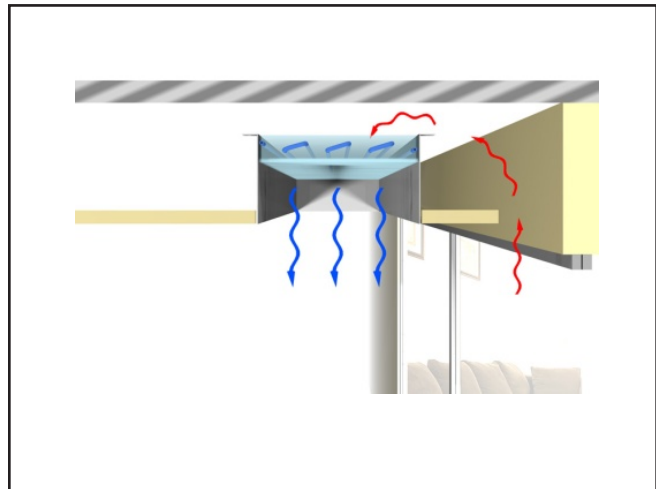
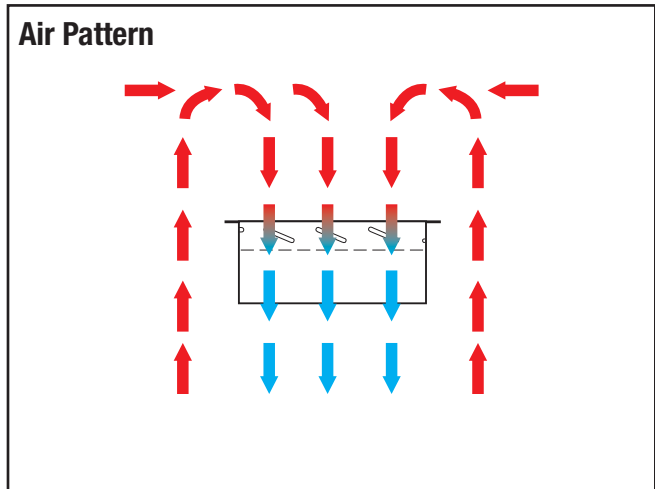
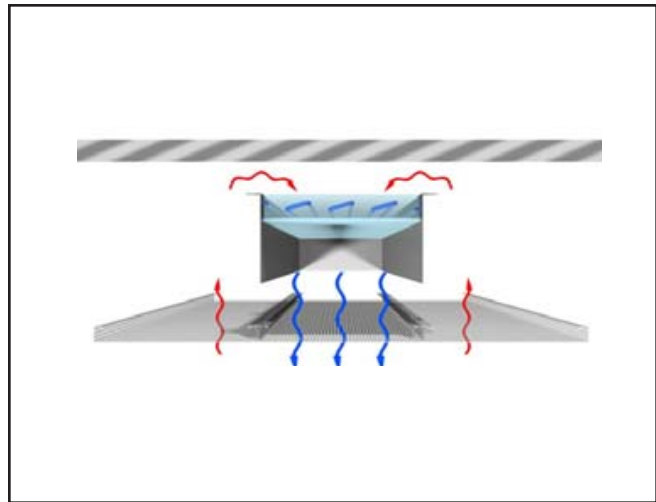
Determine where beams should be located.

The beam construction determines the beam performance. Coordinate the beam's length, width, height and face style with the required location.

As a typical room warms up, warm air will pool in the ceiling space. The passive beam will cool the air on contact of its flat heat exchanger. The cold air, having a higher density than the surrounding air, is driven back into the occupied space. The velocity of this colder air is related to the cooling capacity of the passive beam.

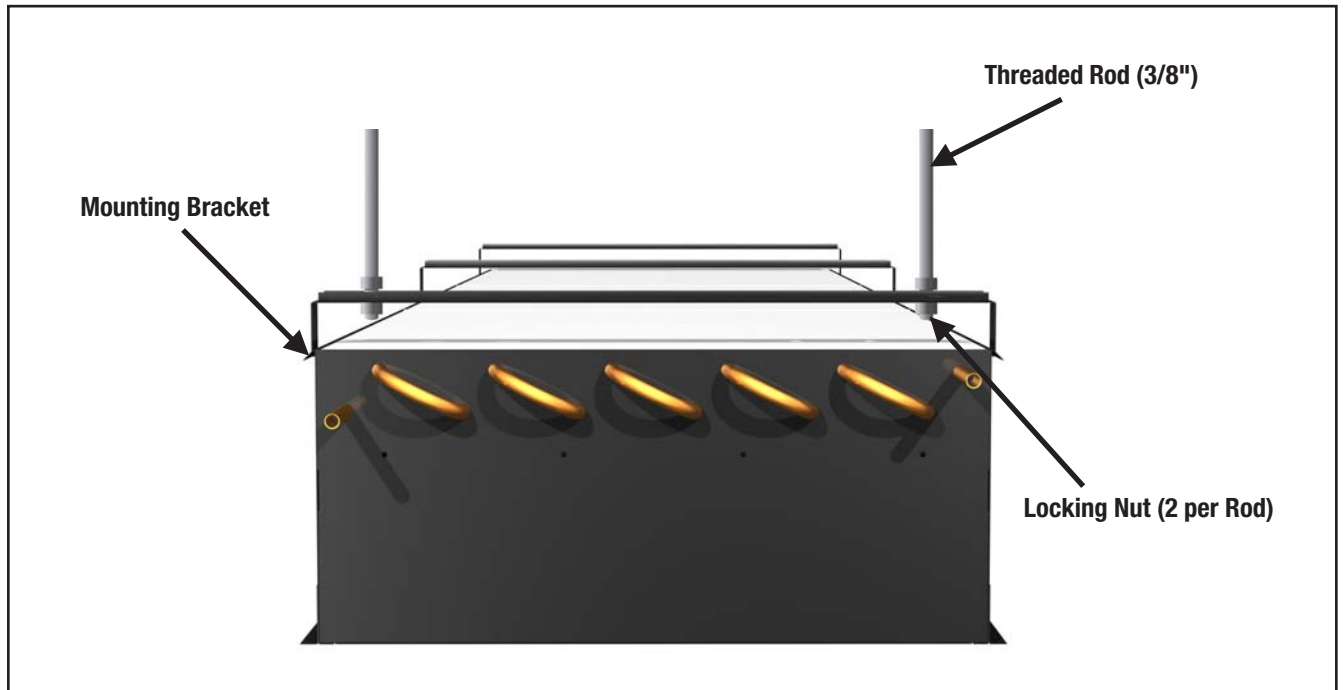
In order to guarantee optimal performance of the passive beam, there should be at least ¼ of the width above the beam for air flow. The free area around the beam should be at least half of the area of the beam face or greater.

For perimeter application, the beam should be offset from the heat source.

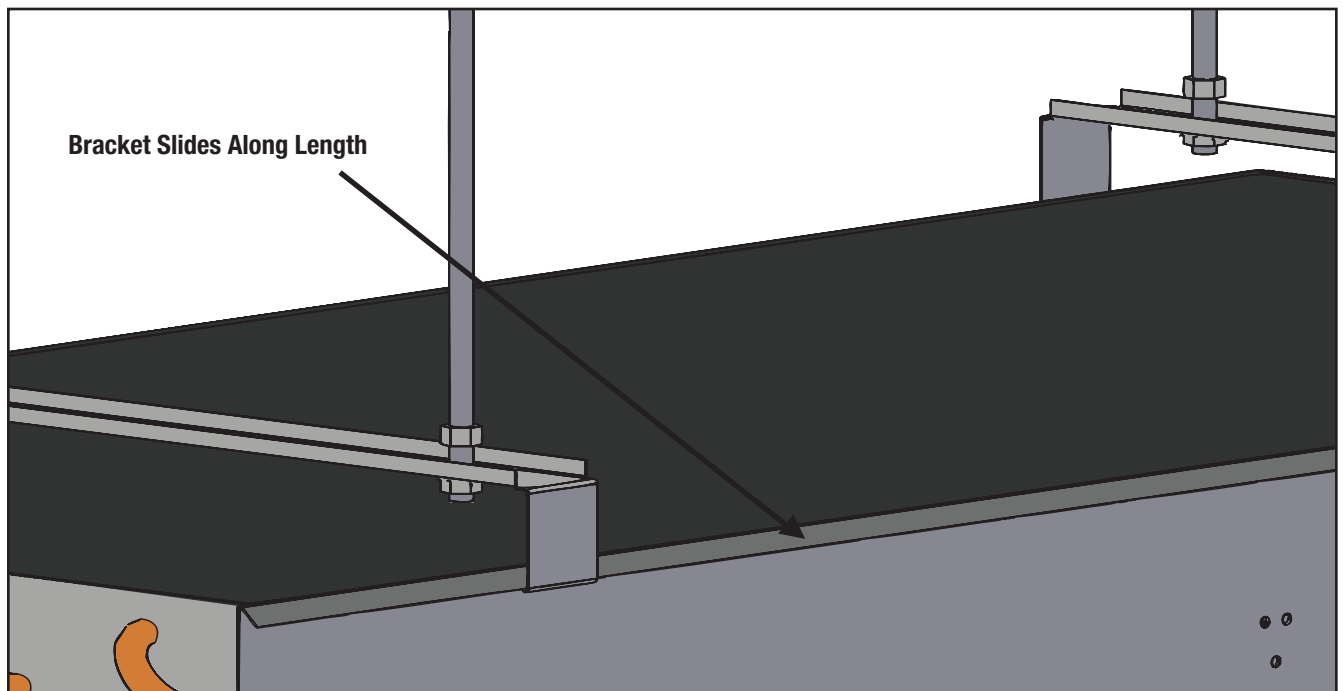


Installation Details

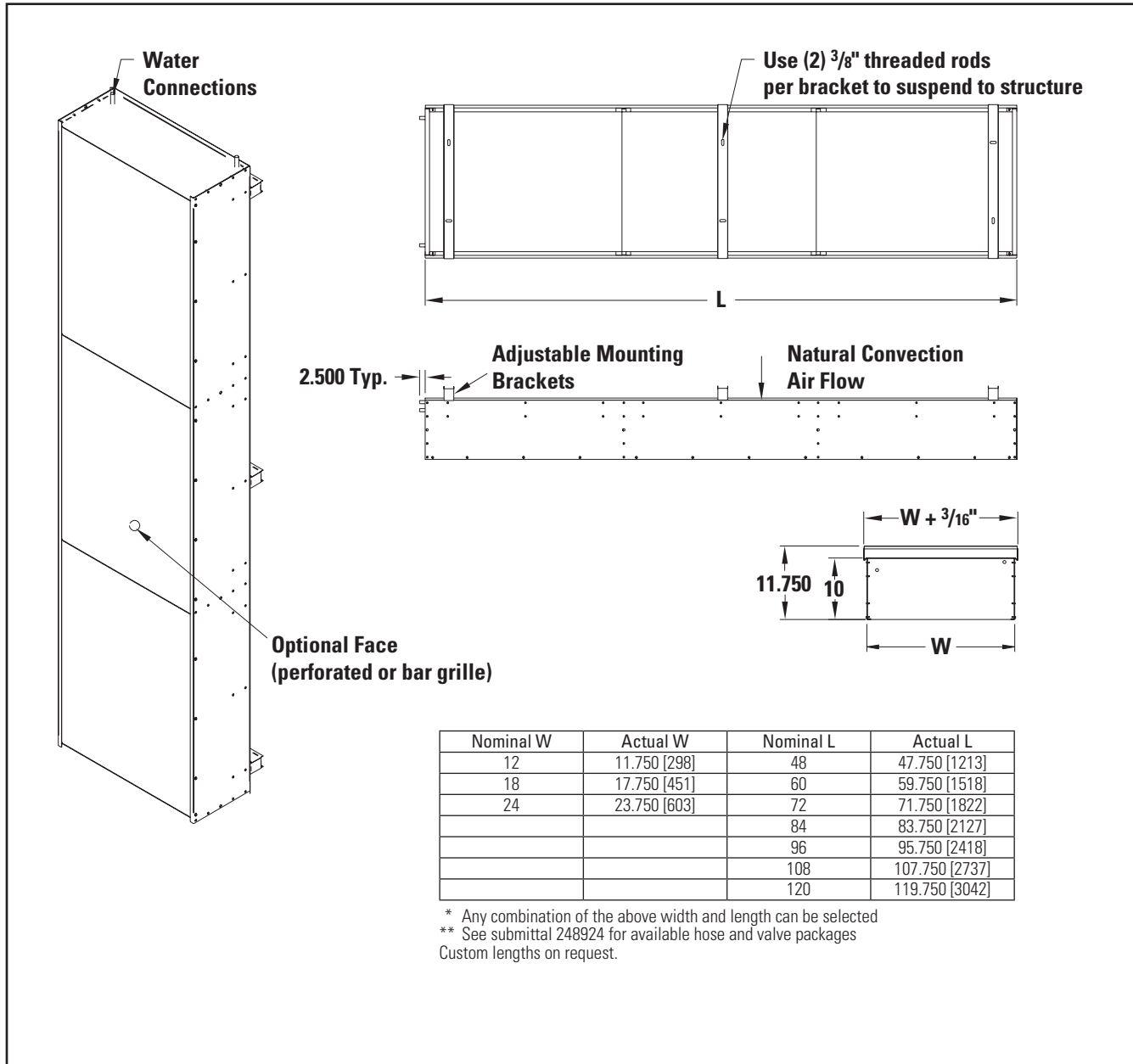
Locate the mounting brackets in the position required. Brackets can slide along the length of the beam to any location. With brackets positioned, tighten setting screws to set the final beam installed height. For T-bar ceiling installation, mount beam ~2" above final ceiling level. Install the ceiling then lower beam to final ceiling level.



Threaded rod can be fastened directly into the hard deck, or alternatively mounted into a secondary metal frame (Unistrut or similar) rail to allow for additional side to side adjustability.

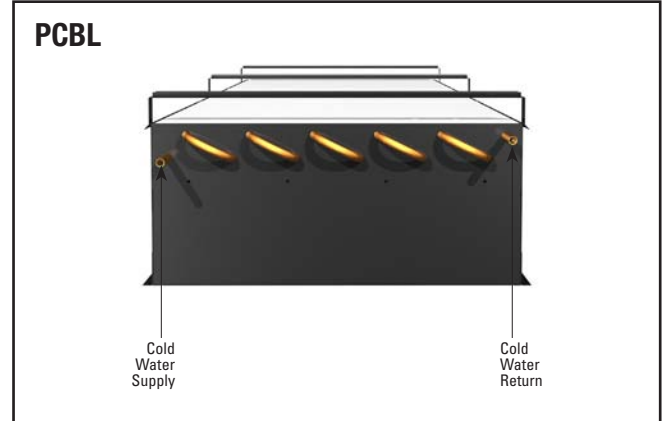


Installation (Continued)



Water Connections

- Recommended water connections: 1/2" sweat or FNPT.
- Before connecting beam to water system, flush and drain the water main piping to remove contaminants from the construction process.
- Pressure test the water system for leaks. Isolate and fix leaks.
- Move water through the hydronic system at or above 0.5 gpm per beam to remove air from the beams. If 0.5 gpm per beam is not normally available, shut off flow through other beams to divert more water through the beam being flushed.



Water Balancing

Manual:

- Adjust balancing valves based on scheduled values.

Pressure Independent:

- Ensure correct pressure independent valves are installed based on design drawings.

Maintenance

- Maintain good water conditions in order to avoid scale and sediment buildup in the copper tubing and other components of the hydronic system.
- Vacuum coils with a soft bristle brush as required. Typical vacuum cycles are 1-5 years, depending on room cleanliness and installed conditions.
- If included in the system design, check dew point sensor(s) or humidity sensor(s) according to sensor manufacturer's methods and schedule.





PRICE
INDUSTRIES

2975 Shawnee Ridge Court
Suwanee, Georgia USA 30024
Ph: 770.623.8050 Fax: 770.623.6404



PRICE
INDUSTRIES

1290 Barrow Industrial Parkway
Auburn, Georgia USA 30011



PRICE
INDUSTRIES

999 North Thornton Road
Casa Grande, Arizona USA 85222-3809



e.h. price
LIMITED

638 Raleigh Street
Winnipeg, Manitoba Canada R2K 3Z9
Ph: 204.669.4220 Fax: 204.663.2715

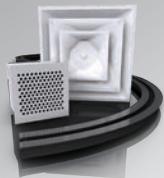
The founding principles of our company have never changed - business integrity, first class service and a commitment to people. Price manufacturing endeavors arose from our belief that we could supply superior products and services at a reasonable price. Our mission is to become the worldwide supplier of preference for air distribution products and services.

You can rely on Price – our products and services – with confidence.

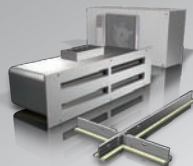
Warranty: The Company warrants and guarantees that all goods within this catalog that have been manufactured by the Company have been manufactured in accordance with the specifications published herein and will be free from defects in material and workmanship for a period of twelve (12) months from the date of Bill of Lading issued by the Company. The Company will replace defective product at its option, but will not be responsible for labor or material charges in replacing product or consequential damages. Any installation not conforming with the Company's specifications, manuals, bulletins or instructions or any misuse or any modification not authorized by the Company voids this warranty. This warranty is in lieu of all Provincial, State, and Federal statutory warranties and the conditions herein are in substitution and replacement of such warranties, statutory or otherwise.

Your Local Price Representative:

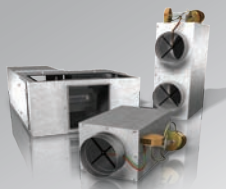
Grilles & Diffusers



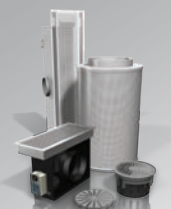
Critical Environments



Terminals



Sustainable Building



Noise Control

