

**PRICE**<sup>®</sup>



**DR180**  
**DISPLACEMENT VENTILATION**  
**INSTALLATION MANUAL**  
**II-00019**

Date: 01/11  
Reference #: J-10s

# Installation Instructions

## DR180 W/DUCT COVER

1) REMOVE TRIM COVER (ITEM 4) BY PUTTING FINGER IN OPENING (SEE DETAIL C) AT TOP OR BOTTOM AND PULLING SLOWLY TO PREVENT BENDING OF TRIM PIECE. KEEP CLOSE FOR USE IN FINAL STEP OF INSTALLATION.

2A) GO TO STEP 2B WHEN MOUNTING ANGLE SUPPLIED BY OTHERS. MOUNTING ANGLES ARE SHIPPED ATTACHED TO THE DIFFUSER. REMOVE TWO SCREWS HOLDING THE MOUNTING ANGLE TO CORNER EXTRUSION (SEE DETAIL -C).

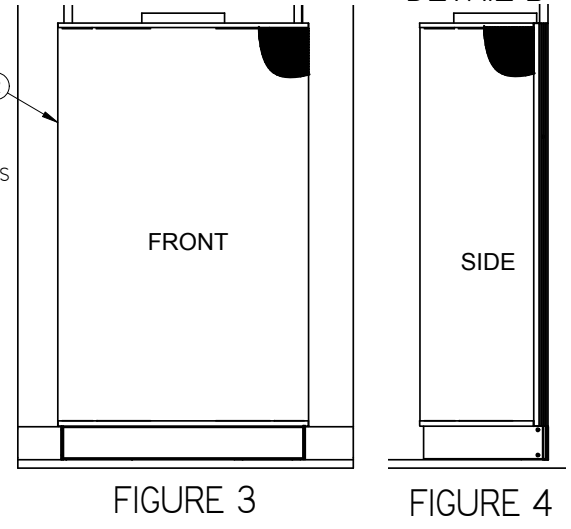
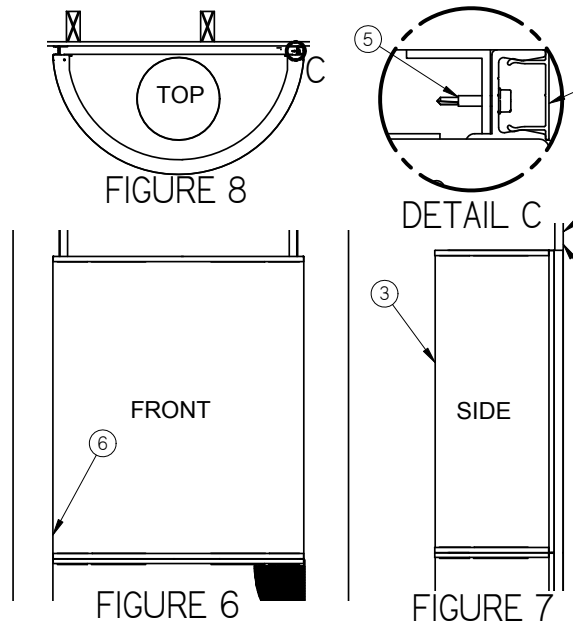
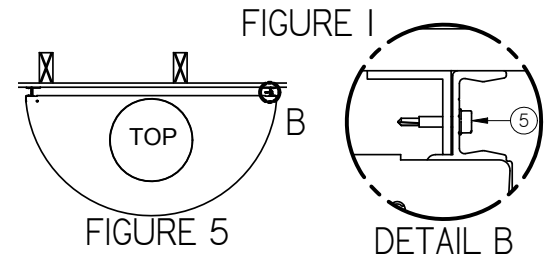
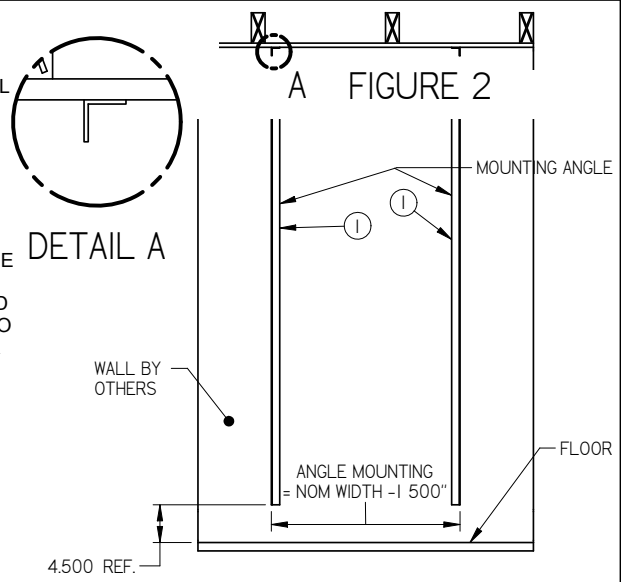
2B) LOCATE AND INSTALL 1" X 1" X .100" MOUNTING ANGLES TO THE WALL IN DESIRED LOCATION. THE MOUNTING ANGLES SHALL BE INSTALLED PERPENDICULAR TO THE FLOOR AS PER FIGURE 1 AND SPACED APART AS PER DIMENSION GIVEN IN TABLE 2. FAILURE TO POSITION ANGLES UPRIGHT AND PERPENDICULAR TO THE FLOOR WILL RESULT IN POOR INSTALLATION. FASTENERS SUPPLIED BY OTHERS. ALL EXTRUSION CAN BE MOUNTED AT SAME TIME.

3 ) INSTALL DIFFUSER (ITEM 2) OVER THE MOUNTING ANGLES SO THAT THE BACK OF THE DIFFUSER IS FLUSH WITH THE WALL (SEE FIGURE 3,4,& 5). FASTEN TO MOUNTED ANGLES WITH SCREWS (ITEM 5). USE MINIMUM 2 SCREWS PER SIDE OF DIFFUSER

4) INSTALL DUCT AS REQUIRED.

5) INSTALL NEXT SECTION OF MOUNTING ANGLE FOR THE DUCT COVER IN LINE WITH THE CURRENT ONES MOUNTING THE DIFFUSER. IF THIS IS THE LAST SECTION OF DUCT COVER CUT THE EXTRUSION TO FIT 1" BELOW THE CEILING HEIGHT OR THE HEIGHT OF THE DUCT COVER.

6) TAP COVER INTO PLACE WITH RUBBER Mallet OR NEOPRENE HAMMER TO PREVENT MARKING ON THE SURFACE OF THE COVER.



ITEM#	DESCRIPTION	NOTE
1	MOUNTING ANGLE X 2	ATTACHED TO DIFFUSER FOR SHIPPING
2	DR180 DIFFUSER X1	
3	DR180 DUCT COVER	1 UNIT UP TO 60" / MULTIPLE UNITS OVER 60"
4	COVER TRIM X2	ATTACHED TO DIFFUSER FOR SHIPPING
5	SCREWS	ATTACHED TO DIFFUSER FOR SHIPPING
6	TOP TRIM COVER	ATTACHED TO DIFFUSER FOR SHIPPING

NOM WIDTH	ANGLE WIDTH-1.5"
18	16.5"
24	22.5"
30	28.5"
36	34.5"
42	40.5"
48	46.5"
OTHER	WIDTH - 1.5"

**SEE TABLE 3 ON SHEET 2 OF 2 FOR INLET LOCATIONS**

**DR180**  
FIELD INSTALLATION  
INSTRUCTIONS

II00019  
JAN 2011

**READ INSTRUCTIONS COMPLETELY BEFORE STARTING**

# Installation Instructions

## DR180 NO DUCT COVER

1) REMOVE TRIM COVER (ITEM 4) BY PUTTING FINGER IN OPENING (SEE SECTION E-E) AT BOTTOM AND PULLING SLOWLY TO PREVENT BENDING OF TRIM PIECE. KEEP CLOSE FOR USE IN FINAL STEP OF INSTALLATION.

2A) GO TO STEP 2B WHEN MOUNTING ANGLE SUPPLIED BY OTHERS. MOUNTING ANGLES ARE SHIPPED ATTACHED TO THE DIFFUSER. REMOVE TWO SCREWS HOLDING THE MOUNTING ANGLE TO CORNER EXTRUSION (SEE SECTION E-E).

2B) LOCATE AND INSTALL 1" X 1" X .100" MOUNTING ANGLES TO THE WALL IN DESIRED LOCATION. THE MOUNTING ANGLES SHALL BE INSTALLED PERPENDICULAR TO THE FLOOR AS PER FIGURE 10 AND SPACED APART AS PER DIMENSION GIVEN IN TABLE 2. FAILURE TO POSITION ANGLES UPRIGHT AND PERPENDICULAR TO THE FLOOR WILL RESULT IN POOR INSTALLATION. FASTENERS SUPPLIED BY OTHERS

3) ATTACH DUCT TO DIFFUSER INLET

4 ) INSTALL DIFFUSER (ITEM 2) OVER THE MOUNTING ANGLES SO THAT THE BACK OF THE DIFFUSER IS FLUSH WITH THE WALL (SEE FIGURE 13 & 14). FASTEN TO MOUNTED ANGLES WITH SCREWS (ITEM 5). USE MINIMUM 2 SCREWS PER SIDE OF DIFFUSER . BASE COVER MAY NEED TO BE REMOVED TO ACCESS DUCT FOR BOTTOM DUCTED UNITS IF ONE WAS SUPPLIED.

5) TAP TRIM COVER INTO PLACE WITH RUBBER Mallet OR NEOPRENE HAMMER. REINSTALL BASE COVER IF REQUIRED.

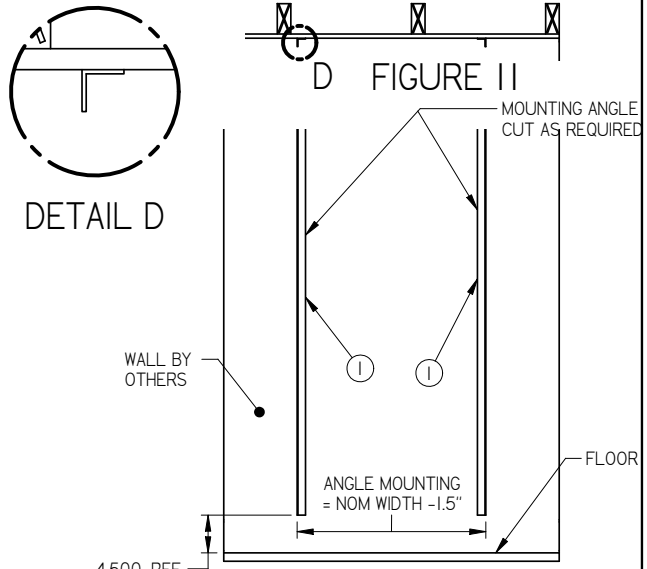


FIGURE 10

4.500 REF.  
 WALL BY OTHERS.  
 SHOWN AS  
 REFERENCE ONLY.

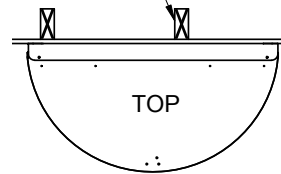
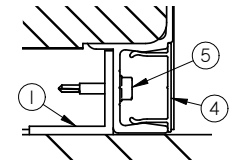


FIGURE 14



SECTION E-E

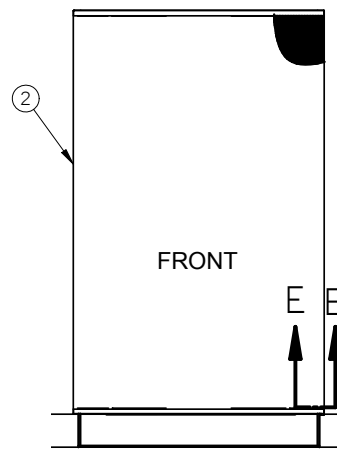


FIGURE 12

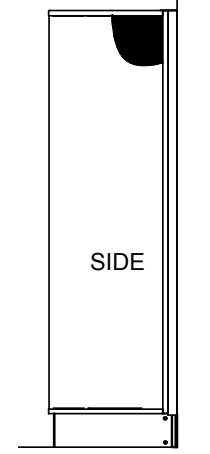


FIGURE 13

TABLE 1		
ITEM #	DESCRIPTION	NOTE
1	MOUNTING ANGLE X 2	ATTACHED TO DIFFUSER FOR SHIPPING
2	DR180 DIFFUSER X1	
3	DR180 DUCT COVER	1 UNIT UP TO 60" / MULTIPLE UNITS OVER 60"
4	COVER TRIM X2	ATTACHED TO DIFFUSER FOR SHIPPING
5	SCREWS	ATTACHED TO DIFFUSER FOR SHIPPING
6	TOP TRIM COVER	ATTACHED TO DIFFUSER FOR SHIPPING

TABLE 2	
NOM WIDTH	ANGLE WIDTH-1.5"
18	16.5"
24	22.5"
30	28.5"
36	34.5"
42	40.5"
48	46.5"
OTHER	WIDTH - 1.5"

TABLE 3	
INLET LOCATION	TOLERANCE +/- .063"
TOP ROUND	CENTERED HORIZONTALLY. & 1.375" FROM WALL
TOP SQUARE	CENTERED HORIZONTALLY. & 1.375" FROM WALL
BOTTOM	CENTERED HORIZONTALLY. & 1.375" FROM WALL
REAR	CENTERED HORIZONTALLY. & VERTICALLY

<b>DR180</b>	
<b>FIELD INSTALLATION INSTRUCTIONS</b>	
II00019	
JAN 2011	

**READ INSTRUCTIONS COMPLETELY BEFORE STARTING**



**PRICE**  
INDUSTRIES

2975 Shawnee Ridge Court  
Suwanee, Georgia USA 30024  
Ph: 770.623.8050 Fax: 770.623.6404



**PRICE**  
INDUSTRIES

1290 Barrow Industrial Parkway  
Auburn, Georgia USA 30011



**PRICE**  
INDUSTRIES

999 North Thornton Road  
Casa Grande, Arizona USA 85222-3809



**e.h. price**  
LIMITED

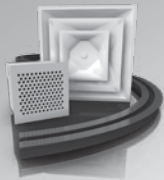
638 Raleigh Street  
Winnipeg, Manitoba Canada R2K 3Z9  
Ph: 204.669.4220 Fax: 204.663.2715

The founding principles of our company have never changed - business integrity, first class service and a commitment to people. Price manufacturing endeavors arose from our belief that we could supply superior products and services at a reasonable price. Our mission is to become the world-wide supplier of preference for air distribution products and services. You can rely on Price – our products and services – with confidence.

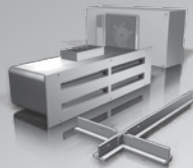
**Warranty:** The Company warrants and guarantees that all goods within this catalog that have been manufactured by the Company have been manufactured in accordance with the specifications published herein and will be free from defects in material and workmanship for a period of twelve (12) months from the date of Bill of Lading issued by the Company. The Company will replace defective product at its option, but will not be responsible for labor or material charges in replacing product or consequential damages. Any installation not conforming with the Company's specifications, manuals, bulletins or instructions or any misuse or any modification not authorized by the Company voids this warranty. This warranty is in lieu of all Provincial, State, and Federal statutory warranties and the conditions herein are in substitution and replacement of such warranties, statutory or otherwise.

Your Local Price Representative:

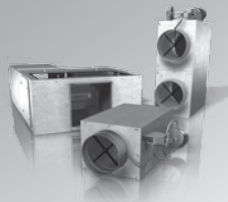
#### Grilles & Diffusers



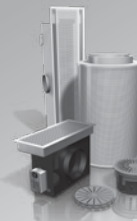
#### Critical Environments



#### Terminals



#### Sustainable Building



#### Noise Control

