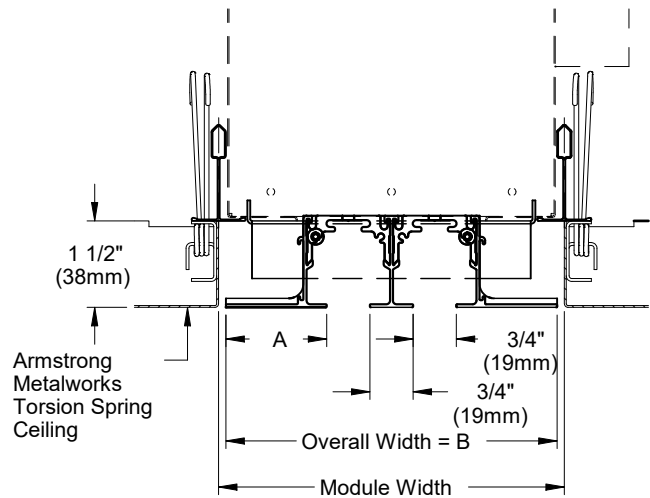
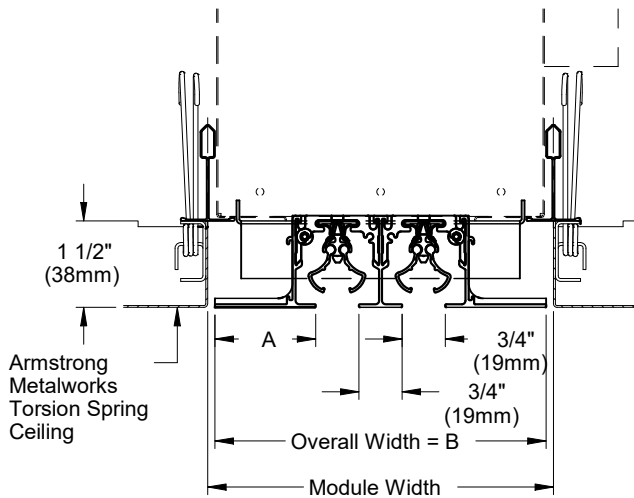


SDS/SDR Linear Slot Diffuser - Type AMT
ARMSTRONG Metalworks Techzone Torsion Spring Ceiling

SDS75 - Supply Diffuser, 3/4" Slot

SDR75 - Return Diffuser, 3/4" Slot



Module Width	SDS/SDR Type AMT		
	Slots	A	B
4" (102mm)	1	1 1/2" (38mm)	3 3/4" (95mm)
6" (152mm)	1	2 1/2" (64mm)	5 3/4" (146mm)
	2	1 3/4" (44mm)	
	3	1" (25mm)	

NOTES:

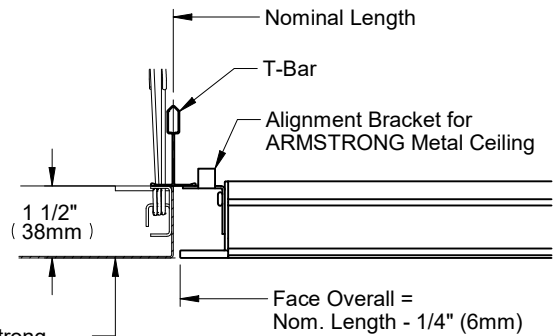
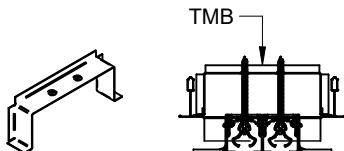
- Minimum length 24" (610mm)
- Maximum length 72" (1829mm)
- 180° air pattern adjustment available
- Suitable for installation in Armstrong Metalworks for Techzone Torsion Spring Ceiling with 1 1/2" (38mm) depth
- For use with SDB / SDBI type AMT plenum (order plenum separately)
- Factory tolerance +/- 1/32" (1mm)

MATERIALS:

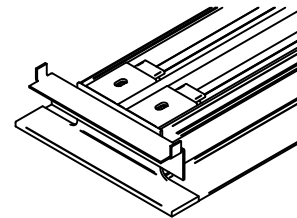
- Extruded aluminum frame
- Extruded aluminum pattern controllers

ACCESSORIES:

- TMB T-bar mounting bracket for type AMT (for use when installed without an SDB plenum)



Armstrong Metalworks Torsion Spring Ceiling



FINISH:

- Pattern controllers - B17 black
- Diffuser face:
 - A-WHA - ARMSTRONG Whitelume
 - A-SIA - ARMSTRONG Silverlume
 - A-MYA - ARMSTRONG Gun Metal Gray
 - A-BL - ARMSTRONG Tech Black
 - B25 - Custom Matched Color
 - Other optional finishes available

ALL METRIC DIMENSIONS () ARE SOFT CONVERTED. IMPERIAL DIMENSIONS ARE CONVERTED TO METRIC AND ROUNDED TO THE NEAREST MILLIMETER.

PROJECT:		PRICE
ENGINEER:	<i>MJ</i>	
CUSTOMER:	270910	SDS / SDR
SUBMITTAL DATE:	SPEC. SYMBOL:	2022/10/12
		TYPE AMT FOR ARMSTRONG METALWORKS TECHZONE CEILING