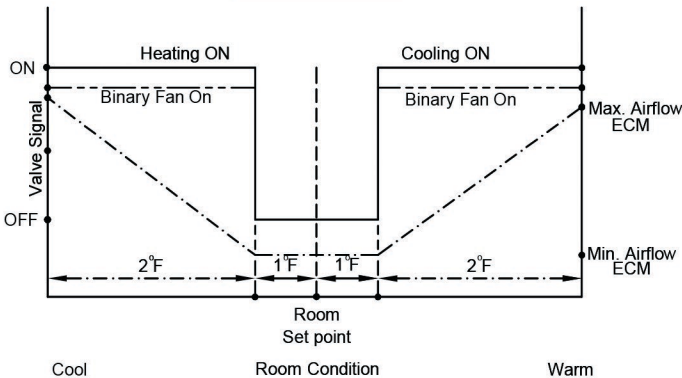


LEGEND

- FACTORY ELECTRICAL WIRING
- - - - - FIELD ELECTRICAL WIRING

CONTROL GRAPH



Sequence of Operation -- Variable Speed ECM or Binary Fan, On/Off Heating or Cooling with Heat/Cool Changeover

If no HCCO sensor is present, the controller assumes chilled water supply at all times

Chilled Water Supply: On an increase in space temperature the controller opens the valve and turns on the fan or modulates the ECM motor to increase the flow of cool air. On an increase of space temperature greater than the cooling proportional band, the fan is on, ECM speed is maintained at its pre-selected maximum setting of 8.0 volts DC (configurable with Disio Setup software).

Hot Water Supply: On a decrease in space temperature the controller opens the valve and turns on the fan or modulates the ECM motor to increase the flow of warm air. On a decrease of space temperature greater than the heating proportional band, the fan is on, ECM speed is maintained at its pre-selected maximum setting of 8.0 volts DC (configurable with Disio Setup software).

Dead Band: With no demand in the space, the water valve actuator remains closed, the fan is off, or ECM fan flow remains on minimum speed of 2.1 volts DC (configurable with Disio Setup software).

Discharge Air Temperature (DAT) Sensor: The sensor provides a discharge air temperature reading to the thermostat for monitoring only.

*If valve has been closed for 10 hours (adjustable) it will be opened for a maximum of 5 minutes to determine if water supply temperature has changed.

Visit disio.io/setup for free Disio Setup software for Windows computers.

PROJECT:

ENGINEER:

CUSTOMER:

SUBMITTAL DATE:

SPEC. SYMBOL:

PRICE[®]

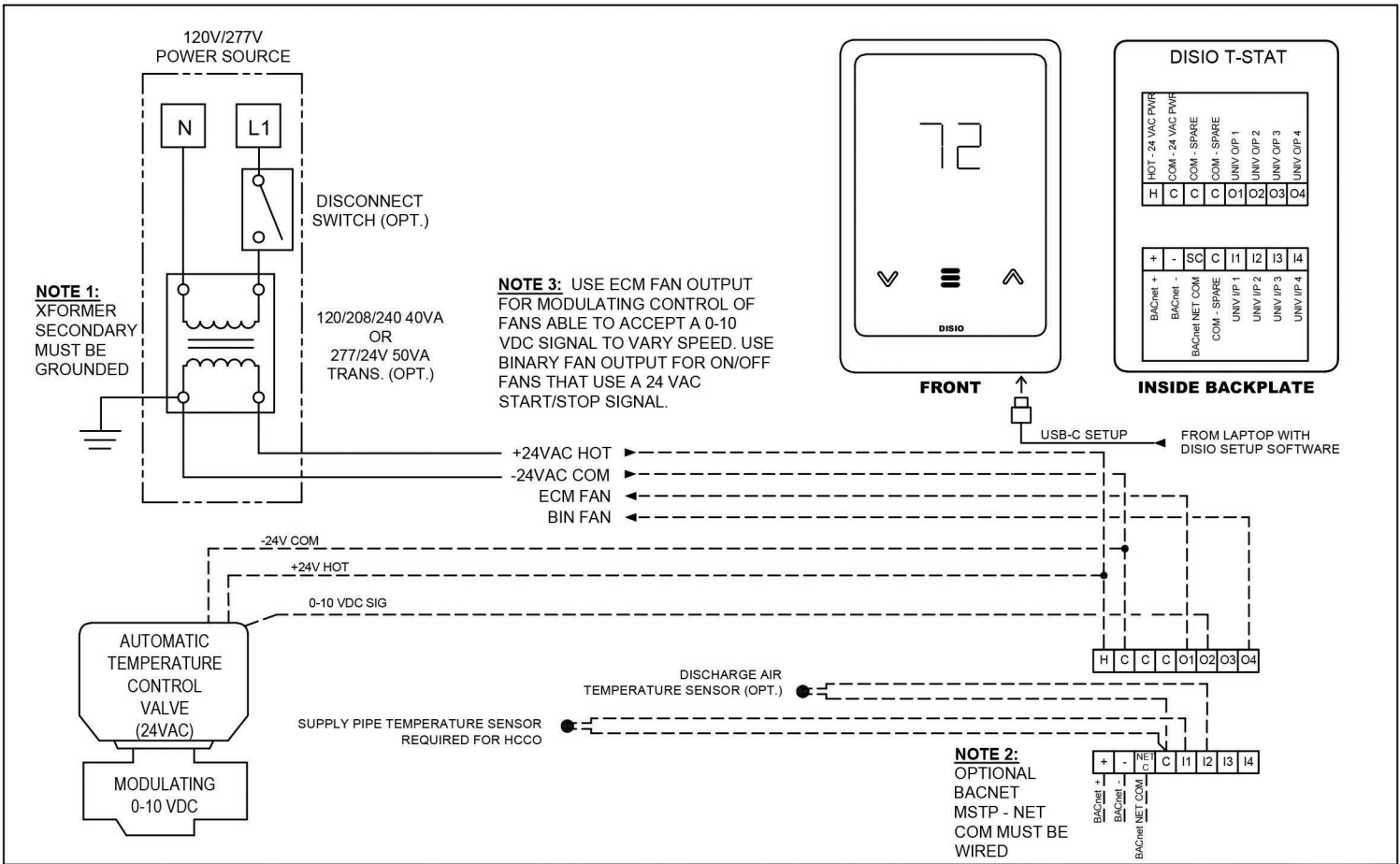
FB MD

**FAN COIL CONTROLS
DISIO DISPLAY**

VARIABLE SPEED ECM OR BIN FAN
2-PIPE BIN HCCO

273782

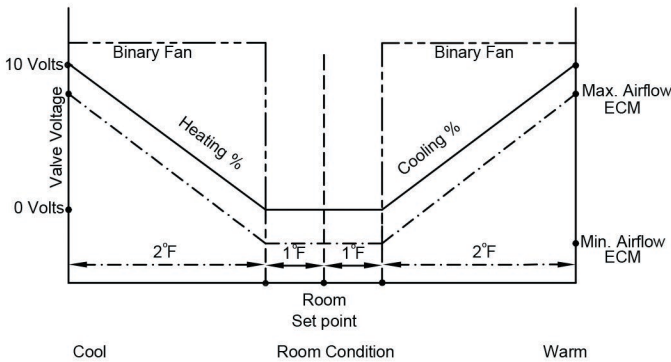
2023/03/06



LEGEND

- FACTORY ELECTRICAL WIRING
- - - - - FIELD ELECTRICAL WIRING

CONTROL GRAPH



Sequence of Operation -- Variable Speed ECM or Binary Fan, Modulating Heating or Cooling with Optional Discharge Air Temperature Control

Chilled Water Supply: On an increase in space temperature above the set point, the controller modulates the valve open proportionally to the room cooling load. The controller will turn on the binary fan or modulate the ECM fan from its minimum airflow setting (2.1 volts DC) to its maximum airflow setting (8.0 volts DC) based on space temperature. Min and max voltages are configurable with Disio Setup software.

Hot Water Supply: On a decrease in space temperature below the set point, the controller modulates the valve open proportionally to the room heating load. The controller will turn on the binary fan or modulate the ECM fan from its minimum airflow setting (2.1 volts DC) to its maximum airflow setting (8.0 volts DC) based on space temperature.

Dead Band: With no demand in the space, the water valve actuator remains closed. The ECM fan remains off (binary), or at its minimum setting of 2.1 volts DC (ECM).

Optional Discharge Air Temperature (DAT) Sensor and Control: The sensor provides the controller with the discharge air temperature reading. This temperature reading is used to control the modulating valve to achieve a set discharge temperature. DAT setpoint is configurable with Disio Setup software, and is set to 55°F (13°C) for cooling, and 90°F (32°C) for heating by default.

Note: Discharge Air Temperature Control is only possible with modulating valves. DAT control is on by default when DAT sensor is connected. Modulating valves fall back to proportional control when DAT probe is not connected.

*If valve has been closed for 10 hours (adjustable) it will be opened for a maximum of 5 minutes to determine if water supply temperature has changed. Visit disio.io/setup for free Disio Setup software for Windows computers.

PROJECT:

ENGINEER:

CUSTOMER:

SUBMITTAL DATE:

SPEC. SYMBOL:



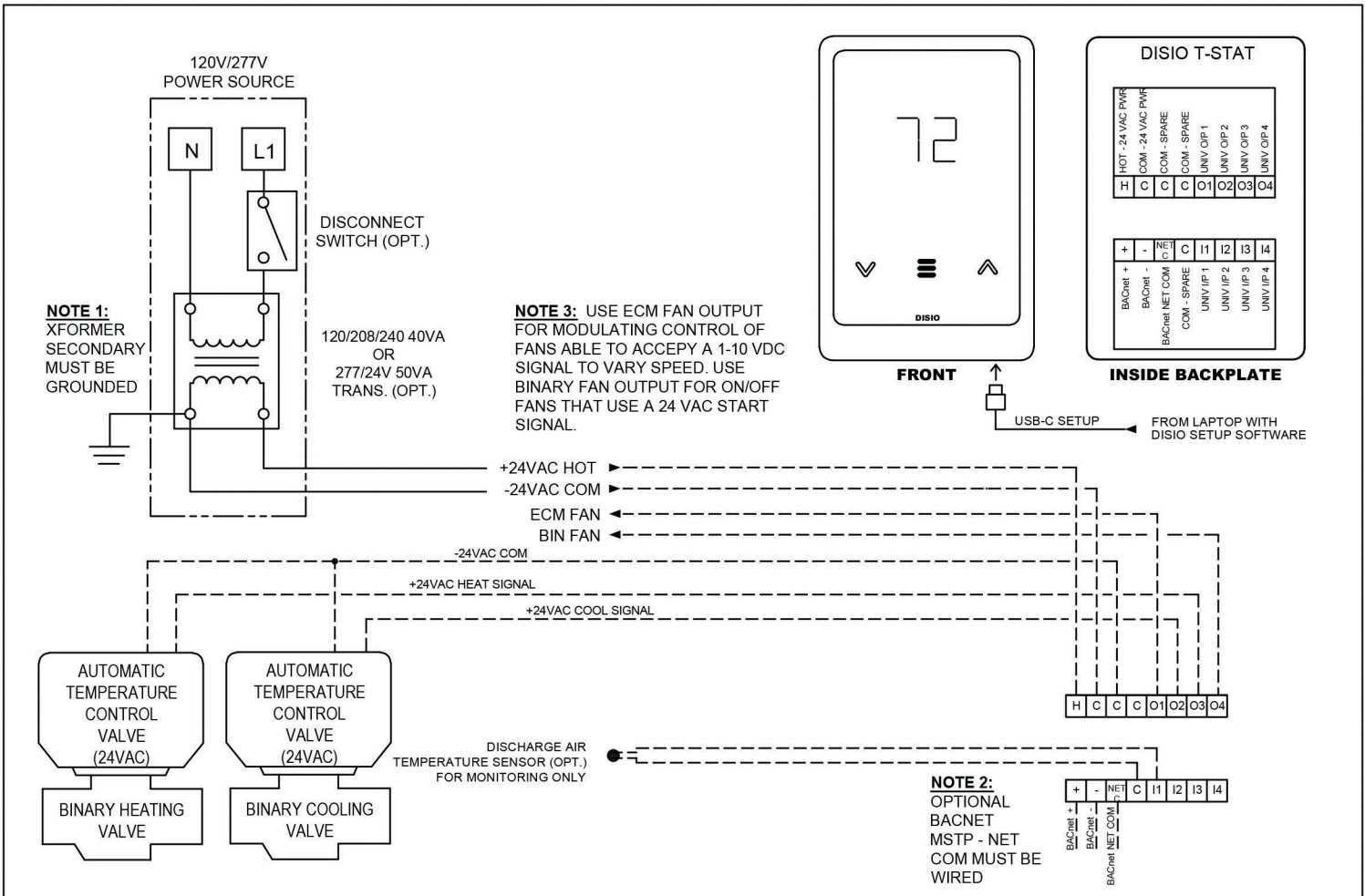
FB MD

**FAN COIL CONTROLS
DISIO DISPLAY**

VARIABLE SPEED ECM OR BIN FAN
2-PIPE MOD HCCO

273783

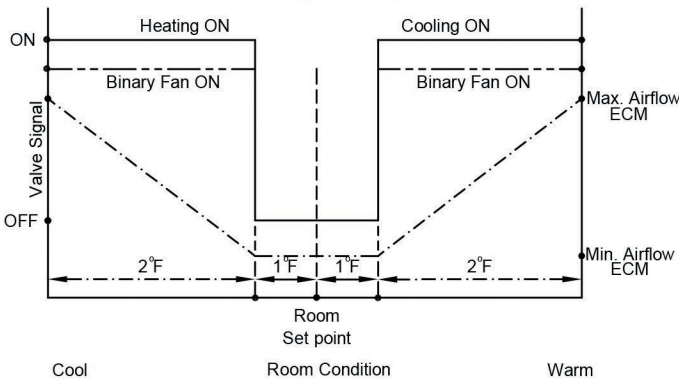
2023/03/07



LEGEND

- FACTORY ELECTRICAL WIRING
- FIELD ELECTRICAL WIRING

CONTROL GRAPH



Sequence of Operation -- Variable Speed ECM or Binary Fan, On/Off Heating & On/Off Cooling with Discharge Air Temperature Monitoring

Cooling: On an increase in space temperature above the set point, the controller opens the cold water valve. The controller will turn on the binary fan or modulate the ECM fan from its minimum setting of 2.1 volts DC to its maximum setting of 8 volts DC. Min and max voltages are configurable in Disio Setup software.

Dead Band: With no demand in the space, the water valve actuator remains closed. The binary fan is off, or the ECM fan remains at its minimum setting of 2.1 volts DC.

Heating: On a decrease in space temperature below the set point, the controller opens the hot water valve. The controller will turn on the binary fan, or modulate the ECM fan from its minimum setting of 2.1 volts DC to its maximum setting of 8 volts DC.

Discharge Air Temperature (DAT) Sensor: The sensor provides a discharge temperature reading to the thermostat for monitoring only.

Visit disio.io/setup for free DISIO Setup Software compatible with Windows.

PROJECT:

ENGINEER:

CUSTOMER:

SUBMITTAL DATE:

SPEC. SYMBOL:

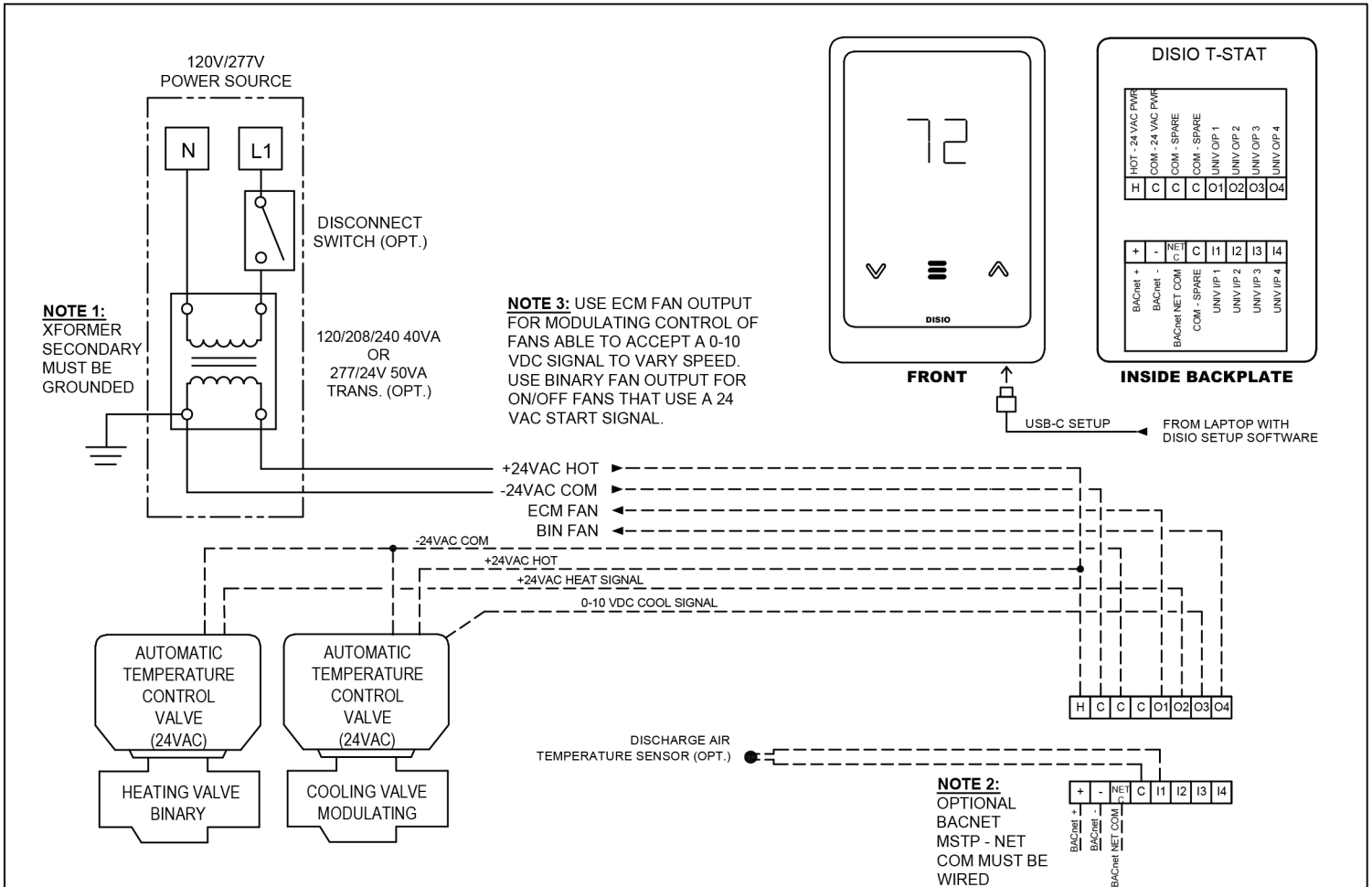
PRICE®

**FAN COIL CONTROLS
DISIO DISPLAY**

VARIABLE SPEED ECM OR BIN FAN
4-PIPE BINARY

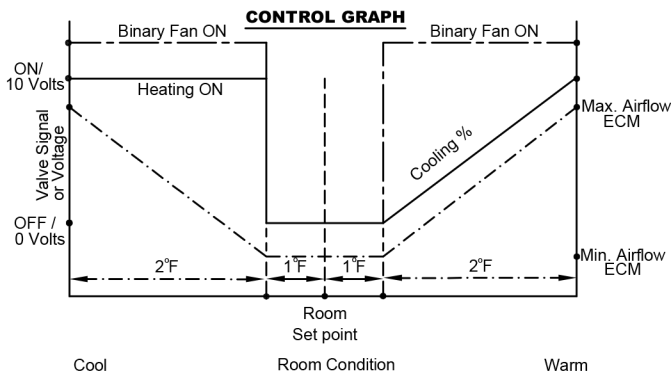
273784

2023/03/07



LEGEND

- FACTORY ELECTRICAL WIRING
- - - - - FIELD ELECTRICAL WIRING



Sequence of Operation -- Variable Speed ECM Fan or Binary Fan, On/Off Heating & Modulating Cooling with Opt Cooling Discharge Air Temperature Control

Cooling: On an increase in space temperature above the set point, the controller modulates the cold water valve open proportionally to the room cooling load. The controller will turn on the binary fan or modulate the ECM fan from its minimum setting of 2.1 volts DC to its maximum setting of 8.0 volts DC based on space temperature. Min and max voltages are configurable using Disio Setup software.

Dead Band: With no demand in the space, the water valve actuator remains closed. The binary fan is off, or the ECM fan remains at its minimum setting of 2.1 volts DC.

Heating: On a decrease in space temperature the controller opens the binary hot water valve and turns on the binary fan or modulates the ECM fan from its minimum setting of 2.1 volts DC to its maximum setting of 8.0 volts DC based on space temperature.

Optional Discharge Air Temperature (DAT) Sensor and Control: The sensor provides the controller with the discharge air temperature reading. This temperature reading is used to control the modulating cooling valve to achieve a set discharge temperature. DAT setpoint is configurable with Disio Setup software, and is set to 55°F (13°C) for cooling by default.

Note: Discharge Air Temperature Control is only possible with modulating valves. DAT control is on by default when the DAT probe is connected. Modulating valves fall back to proportional control when DAT probe is not connected.

Visit disio.io/setup for free DISIO Setup Software compatible with Windows.

PROJECT:

ENGINEER:

CUSTOMER:

SUBMITTAL DATE:

SPEC. SYMBOL:

PRICE[®]

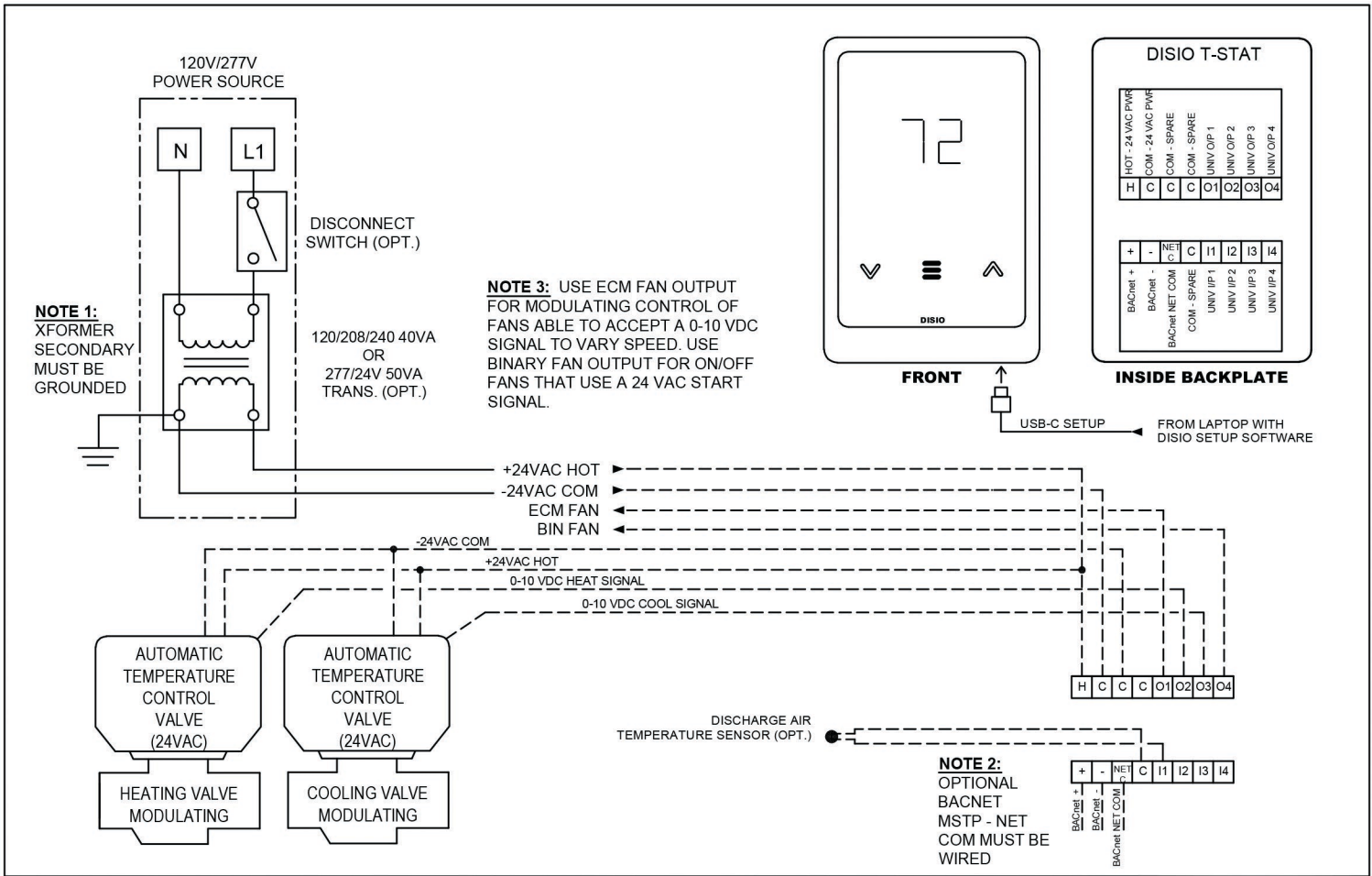
Handwritten initials/signature

**FANCOIL CONTROLS
DISIO DISPLAY**

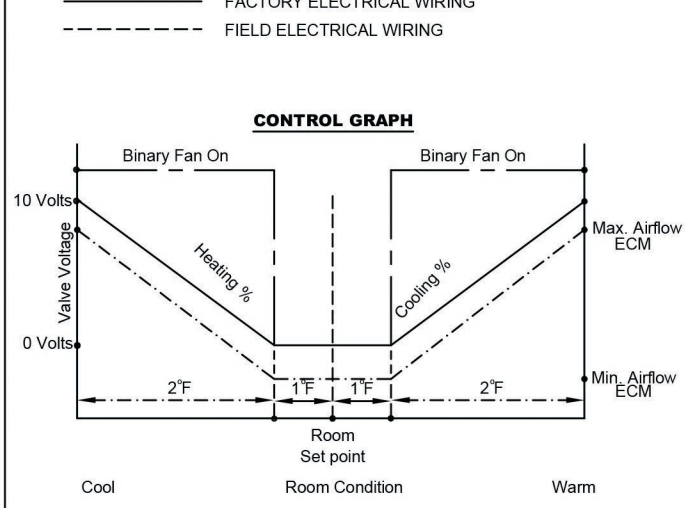
VARIABLE SPEED ECM OR BIN FAN
4-PIPE MOD COOLING
BINARY HEATING

273785

2023/03/07



Sequence of Operation -- Variable Speed ECM or Binary Fan, Modulating Heating & Modulating Cooling with Optional Discharge Air Temperature Control



Cooling: On an increase in space temperature above the set point, the controller modulates the cold water valve open proportionally to the room cooling load. The controller will turn on the binary fan or modulate the ECM fan from its minimum setting of 2.1 volts DC to its maximum its maximum setting of 8.0 volts DC based on space temperature. Min and max voltages are configurable using Disio Setup software.

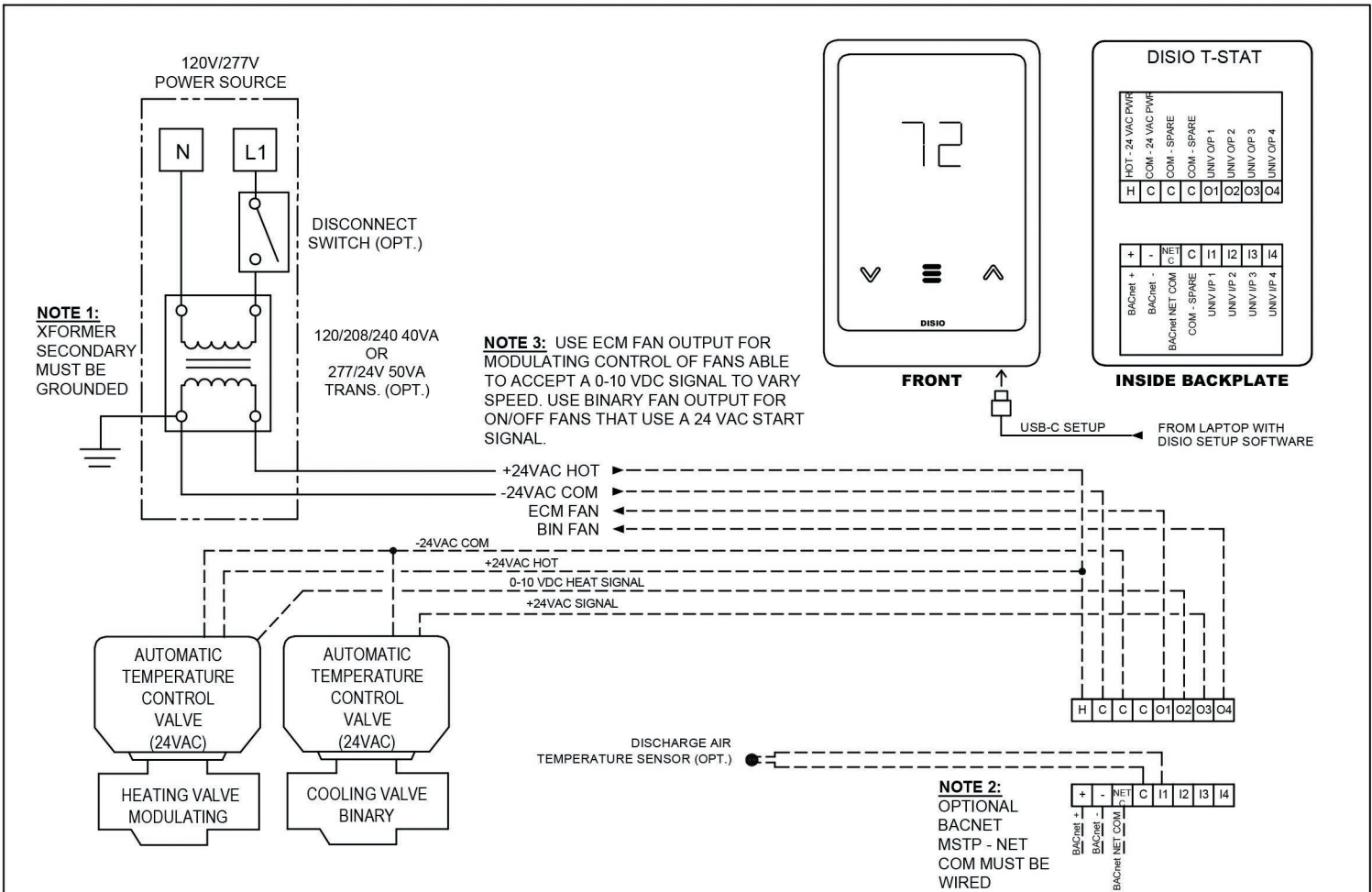
Dead Band: With no demand in the space, the water valve actuator remains closed. The binary fan remains off, or the ECM fan remains at its minimum setpoint of 2.1 volts DC.

Heating: On a decrease in space temperature below the set point the controller modulates the hot water valve open proportionally to the room heating load. The controller will turn on the binary fan or modulate the ECM fan from its minimum setting of 2.1 volts DC to its maximum its maximum setting of 8.0 volts DC based on space temperature.

Discharge Air Temperature (DAT) Sensor and Control: The sensor provides the controller with the discharge air temperature reading. This temperature reading is used to modulate the valves to achieve a set discharge air temperature. DAT setpoint is configurable with Disio Setup software, and is set to 55°F (13°C) for cooling, and 90°F (32°C) for heating by default.
Note: Discharge Air Temperature Control is only possible with modulating valves. DAT control is on by default when a DAT probe is connected. Modulating valves fall back to proportional control when a DAT probe is not connected.

Visit disio.io/setup for free DISIO Setup Software compatible with Windows.

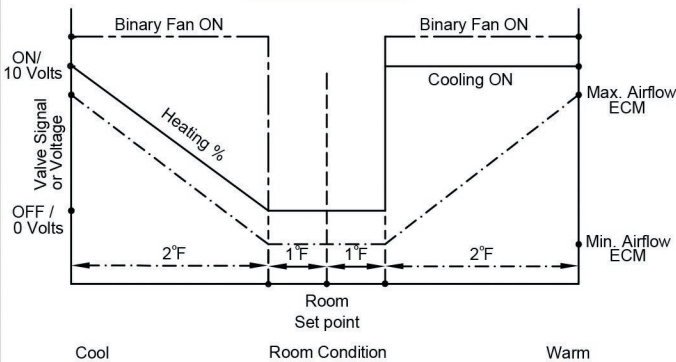
PROJECT:		PRICE [®]
ENGINEER:		
CUSTOMER:		FANCOIL CONTROLS DISIO DISPLAY
SUBMITTAL DATE:		VARIABLE SPEED ECM OR BIN FAN 4-PIPE MOD COOLING AND HEATING
SPEC. SYMBOL:		273786
		2023/03/07



LEGEND

- FACTORY ELECTRICAL WIRING
- - - - - FIELD ELECTRICAL WIRING

CONTROL GRAPH



Sequence of Operation -- Variable Speed ECM or Binary Fan, On/Off Cooling & Modulating Heating with Opt Heating Discharge Air Temperature Control

Cooling: On an increase in space temperature, the controller opens the cold water valve. The controller will turn on the binary fan or modulate the ECM fan from its minimum setting of 2.1 volts DC to its maximum setting of 8.0 volts DC based on space temperature. Min and max voltages are configurable using Disio Setup software.

Dead Band: With no demand in the space, the water valve actuator remains closed. The binary fan remains off or the ECM fan remains at its minimum setting of 2.1 volts DC.

Heating: On a decrease in space temperature the controller modulates the hot water valve open proportionally to the room heating load. The controller will turn on the binary fan or modulate the ECM fan from its min setting of 2.1 volts DC to its max setting of 8.0 volts DC based on space temperature.

Discharge Air Temperature (DAT) Sensor and Control: The sensor provides the controller with the discharge air temperature reading. This temperature reading is used to control the modulating heating valve to achieve a set discharge temperature. DAT setpoint is configurable with Disio Setup software, and is set to 90°F (32°C) by default. Note: Discharge Air Temperature Control is only possible with modulating valves. DAT control is on by default when a DAT probe is connected. Modulating valves fall back to proportional control when a DAT probe is not connected. Visit disio.io/setup for free DISIO Setup Software compatible with Windows.

PROJECT:

ENGINEER:

CUSTOMER:

SUBMITTAL DATE:

SPEC. SYMBOL:



Handwritten initials/signature

**FANCOIL CONTROLS
DISIO DISPLAY**

VARIABLE SPEED ECM OR BIN FAN
4-PIPE BIN COOLING
AND MOD HEATING

273787

2023/03/07