



MANUAL – INSTALLATION + SERVICE

Price Wireless Thermostat System

PWTS Series

Revision #: 01 – Issue Date: 03/11/14

© 2014 Price Industries Limited. All rights reserved.

PRICE[®]

PRICE WIRELESS THERMOSTAT STSEM

PRODUCT OVERVIEW

General Description

The Price Wireless Thermostat System provides both sensor inputs and a point of control for Price controllers.

The System consists of 2 units:

Wireless Remote T-stat - Transmitter - Room Sensor T-Stat with dial setpoint adjust, LED and push button.

Wireless Base - Receiver - Unit with LCD and 3 push buttons.

Remote T-stat and Base units talk between each other wirelessly in the 2.4GHz range (FCC and IC certified). Base unit connects to main controller using the supplied plenum-rated CAT-5 cable. No other connections are required.

NOTE: Make sure that dip switches on the back of remote and base are in the same positions, but also are unique from other wireless pairs in the building. This prevents collisions and incorrect data.

The **Base LCD** displays the data received from Remote T-Stat: dial setpoint, current temperature, received message strength (in percent) and battery condition. Battery condition is code from 1 to 5, which signifies the amount of battery life left in remote T-stat (Transmitter). The battery code 0 signifies that there is no signal from Remote T-stat: it is either dead (batteries are low) or out of range. Remote T-stat transmits data to the base approximately every 2 mins, or when the button is pushed. LED provides data about transmission:

Green - Good operation

Amber - Battery **low** operation

Red - Remote T-stat cannot transmit

When the button is pushed to trigger transmission, the LED will stay on longer for the user to see.

NOTE 1: Remote T-stat (Transmitter) is using Ultimate Lithium Energizer L91 Batteries. Please replace batteries with the same L91, when remote T-stat LED is Red or Amber, or base (Receiver) stops getting messages.

NOTE 2: Batteries must be Lithium type. Standard alkaline batteries do not supply enough voltage to ensure proper transmission. Also alkaline battery life is much shorter than lithium type batteries.

Set channel and address dip switches the same to match a Remote T-stat and Base pair.

WARNING: Ensure they are unique within your building.

BASE (RECEIVER) MOUNTED IN PLENUM ▼



REMOTE (TRANSMITTER) USER THERMOSTAT ▼



PRICE WIRELESS THERMOSTAT SYSTEM

PRODUCT OVERVIEW

Price Wireless Thermostat System

Location:

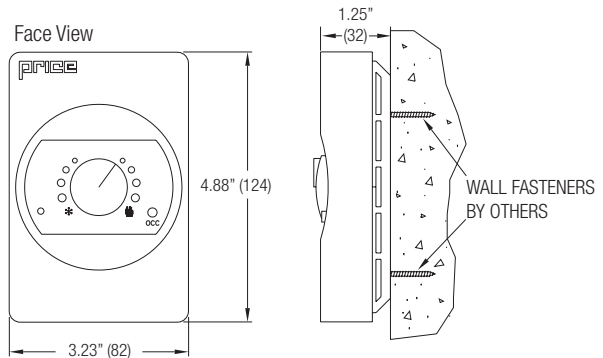
1. Mount the RemoteT-stat in a place that is convenient for the end user, but please note the following:
 - a. Do not mount the thermostat in direct sunlight (across from a window)
 - b. Shouldn't be installed on an outside wall
 - c. Keep away from hot equipment (monitors, heaters, photocopiers, etc.)
 - d. Ensure nothing will restrict vertical air circulation to the thermostat (i.e. Do not cover!)
 - e. Do not mount on metal plate or in the box.
2. Place base within 50 feet from Remote T-stat and within CAT-5 cable length from main controller (PIC, PRODIGY) on the metal duct work using the mounting bracket provided. Ensure base is "Hanging" in plenum away from ductwork so it can receive wireless signal.

Installation:

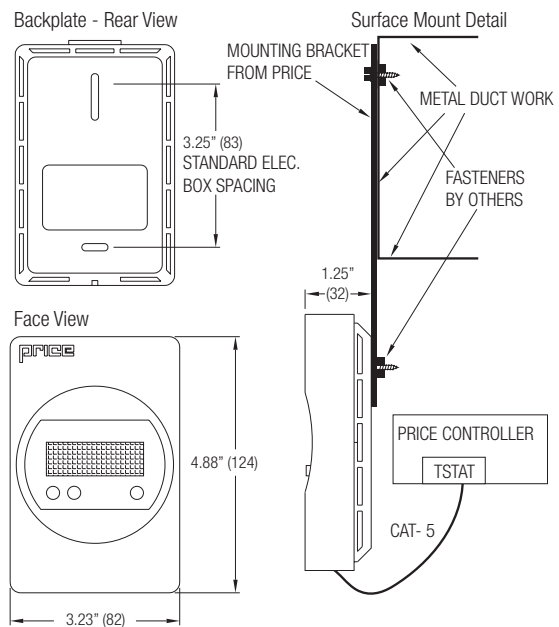
1. The back plate on the Remote T-stats is removable and can be mounted directly to drywall (using anchors supplied by others).
2. The back plate on the base is removable and can, depending on the ordered kit, be mounted in 2 ways:
 - a. directly to metal duct work through the mounting bracket provided (using anchors supplied by others);
 - b. to the bottom of the UFAD basket;
3. Run the supplied plenum-rated CAT5 cable from the main controller "T-STAT" jack to the RJ-45 jack located on the bottom of base.
4. Make sure that dip switches (Channel and Address) on the backs of RemoteT-stat and Base are in the same positions, and are unique for the building.
5. After mounting, the Remote T-stat and Base can be locked to the corresponding backplates using the setscrew located at the bottom of the unit.

A 0.050" Allen (hex) key is required – One is supplied in each box.

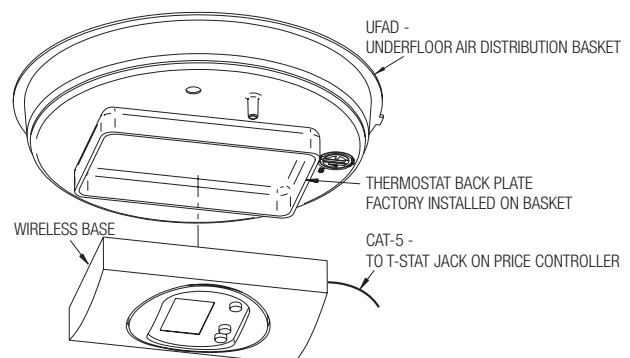
WIRELESS REMOTE T-STAT ▼



WIRELESS BASE, DUCT INSTALLATION ▼



WIRELESS BASE, UNDERFLOOR INSTALLATION ▼



This document contains the most current product information as of this printing.
For the most up-to-date product information, please go to priceindustries.com

© 2014 Price Industries Limited. All rights reserved.

PRICE[®]