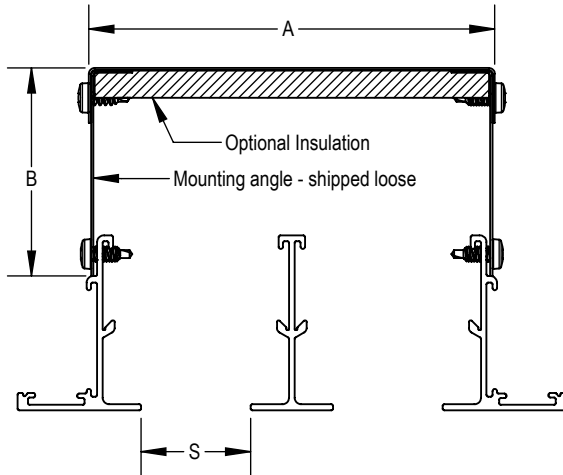


**RBL
RETURN BAFFLE**

SDS/SDR - Linear Slot Diffuser



SDS Frame Type	
<input type="checkbox"/>	1 : Flange Frame Screw-Mounted
<input type="checkbox"/>	1B : Flange Frame No Screw Holes
<input type="checkbox"/>	2 : Flange Frame Concealed Mounting
<input type="checkbox"/>	8 : Plaster Frame Concealed Mounting
<input type="checkbox"/>	8A : Plaster Frame Countersunk Screw Mounting
<input type="checkbox"/>	9A : Suspended Ceiling 3/4" (19mm) Frame
<input type="checkbox"/>	9B : Suspended Ceiling 7/8" (22mm) Frame
<input type="checkbox"/>	12 : Concealed Spine
<input type="checkbox"/>	14 : Inverted T-Bar 1" (25mm) Lay-In Flush Frame
<input type="checkbox"/>	15 : Inverted T-Bar 1" (25mm) Lay-On
<input type="checkbox"/>	17 : Narrow Member T-Bar 9/16" x 5/16"
<input type="checkbox"/>	18 : Techzone Ceiling Lay-In Application
<input type="checkbox"/>	19 : Techzone Ceiling Lay-In Application
<input type="checkbox"/>	20 : Techzone Ceiling Lay-In Application
<input type="checkbox"/>	916 : Inverted T-Bar 9/16" Lay-In Flush Face

— 3/4" (19mm) slot width and 1 to 4 slots only
 — 3/4" (19mm) slot width and 1 to 3 slots only

Slot Qty.	Slot Width								
	□ 1/2"	□ 3/4"	□ 1"	□ 1 1/2"	□ 1/2"	□ 3/4"	□ 1"	□ 1 1/2"	
	A				B				
<input type="checkbox"/>	1 Slot	1 7/16" (37mm)	1 11/16" (43mm)	1 15/16" (49mm)	2 7/16" (62mm)	1 1/8" (29mm)	1 1/4" (32mm)	1 3/8" (35mm)	1 5/8" (41mm)
<input type="checkbox"/>	2 Slot	2 11/16" (68mm)	3 3/16" (81mm)	3 11/16" (94mm)	4 11/16" (119mm)	1 3/8" (35mm)	1 5/8" (41mm)	1 7/8" (48mm)	2 3/8" (60mm)
<input type="checkbox"/>	3 Slot	3 15/16" (100mm)	4 11/16" (119mm)	5 7/16" (138mm)	6 15/16" (176mm)	1 5/8" (41mm)	2" (51mm)	2 3/8" (60mm)	3 1/8" (79mm)
<input type="checkbox"/>	4 Slot	5 3/16" (132mm)	6 3/16" (157mm) 5 3/16" (132mm) *	7 3/16" (183mm)	9 3/16" (233mm)	1 7/8" (48mm)	2 3/8" (60mm)	2 7/8" (73mm)	3 7/8" (98mm)
<input type="checkbox"/>	5 Slot	6 7/16" (164mm)	7 11/16" (195mm)	8 15/16" (227mm)	11 7/16" (291mm)	2 1/8" (54mm)	2 3/4" (70mm)	3 3/8" (86mm)	4 5/8" (117mm)
<input type="checkbox"/>	6 Slot	7 11/16" (195mm)	9 3/16" (233mm)	10 11/16" (271mm)	13 11/16" (348mm)	2 3/8" (60mm)	3 1/8" (79mm)	3 7/8" (98mm)	5 3/8" (137mm)
<input type="checkbox"/>	7 Slot	8 15/16" (227mm)	10 11/16" (271mm)	12 7/16" (316mm)	15 15/16" (405mm)	2 5/8" (67mm)	3 1/2" (89mm)	4 3/8" (111mm)	6 1/8" (156mm)
<input type="checkbox"/>	8 Slot	10 3/16" (259mm)	12 3/16" (310mm)	14 3/16" (360mm)	18 3/16" (462mm)	2 7/8" (73mm)	3 7/8" (98mm)	4 7/8" (124mm)	6 7/8" (175mm)
<input type="checkbox"/>	9 Slot	11 7/16" (291mm)	13 11/16" (348mm)	15 15/16" (405mm)	20 7/16" (519mm)	3 1/8" (79mm)	4 1/4" (108mm)	5 3/8" (137mm)	7 5/8" (194mm)
<input type="checkbox"/>	10 Slot	12 11/16" (322mm)	15 3/16" (386mm)	17 11/16" (449mm)	22 11/16" (576mm)	3 3/8" (86mm)	4 5/8" (117mm)	5 7/8" (149mm)	8 5/8" (213mm)

* For type 18 and 19 frames only

ALL METRIC DIMENSIONS () ARE SOFT CONVERTED. IMPERIAL DIMENSIONS ARE CONVERTED TO METRIC AND ROUNDED TO THE NEAREST MILLIMETER

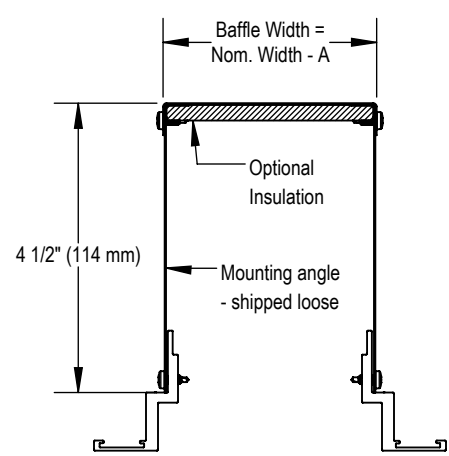
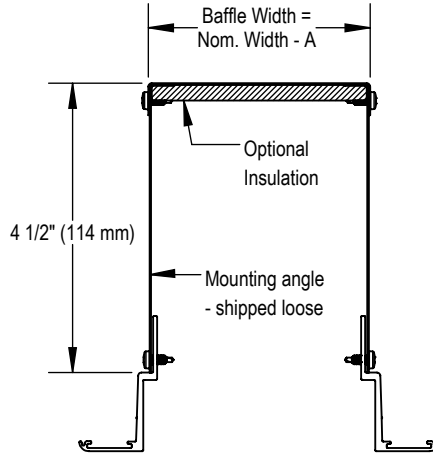
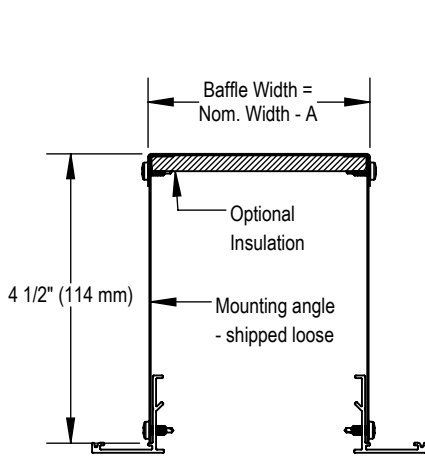
PROJECT:		PRICE [®]	
ENGINEER:		<i>MJ</i>	RBL RETURN BAFFLE FOR LINEAR SLOT DIFFUSERS AND GRILLES
CUSTOMER:		274479	
SUBMITTAL DATE:	SPEC. SYMBOL:	2023-06-15	

**RBL
RETURN BAFFLE**

LBP - Linear Bar Grille (Pressed Core)

LBPH - Heavy Duty Linear Bar Grille (Pressed Core)

LBMH - Heavy Duty Linear Bar Grille (Mandrel Tube)



LBP Frame Type	
<input type="checkbox"/>	750: 3/4" (19mm) Border
<input type="checkbox"/>	1000: 1" (25mm) Border
<input type="checkbox"/>	1250: 1 1/4" (32mm) Border

LBPH Frame Type	
<input type="checkbox"/>	125: 1/8" (3mm) Border
<input type="checkbox"/>	187: 3/16" (5mm) Border
<input type="checkbox"/>	750: 3/4" (19mm) Border
<input type="checkbox"/>	1000: 1" (25mm) Border
<input type="checkbox"/>	1000S: 1" (25mm) Border with Square Edge
<input type="checkbox"/>	1250: 1 1/4" (32mm) Border
<input type="checkbox"/>	CPF: Concealed Plaster Frame

LBMH Frame Type	
<input type="checkbox"/>	125: 1/8" (3mm) Border
<input type="checkbox"/>	187: 3/16" (5mm) Border
<input type="checkbox"/>	750: 3/4" (19mm) Border
<input type="checkbox"/>	1000: 1" (25mm) Border
<input type="checkbox"/>	1250: 1 1/4" (32mm) Border

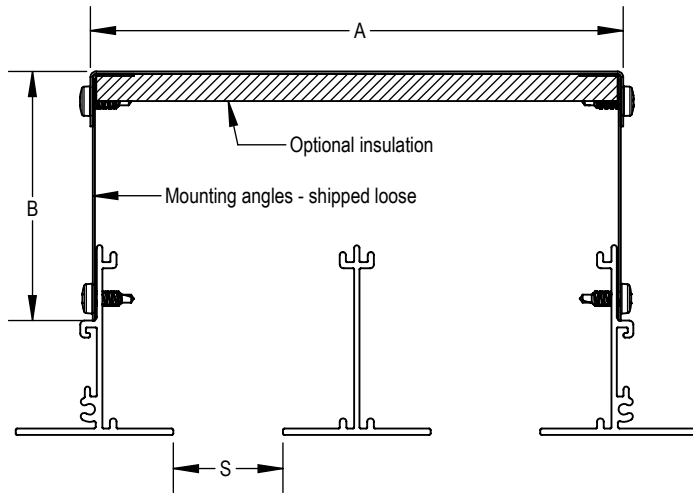
	A						
	Frame Type						
	CPF	125	187	750	1000	1000S	1250
LBP	-	-	-	7/16" (11 mm)	7/16" (11 mm)	-	7/16" (11 mm)
LBPH	13/16" (21 mm)	13/16" (21 mm)	13/16" (21 mm)	7/16" (11 mm)	7/16" (11 mm)	7/16" (11 mm)	7/16" (11 mm)
LBMH	-	13/16" (21 mm)	13/16" (21 mm)	9/16" (14 mm)	9/16" (14 mm)	-	9/16" (14 mm)

ALL METRIC DIMENSIONS () ARE SOFT CONVERTED. IMPERIAL DIMENSIONS ARE CONVERTED TO METRIC AND ROUNDED TO THE NEAREST MILLIMETER

PROJECT:		PRICE [®]	
ENGINEER:			
CUSTOMER:		274479	
SUBMITTAL DATE:	SPEC. SYMBOL:	2023-06-15	

**RBL
RETURN BAFFLE**

CF - Custom Flow



CF Frame Type	
<input type="checkbox"/> EF: Exposed Frame	
<input type="checkbox"/> CMF: Concealed Mud Frame	
<input type="checkbox"/> FM: Flush Mount	
<input type="checkbox"/> OFS: 5/8" (16) Offset Frame	- 1 Slot Only
<input type="checkbox"/> VF: V-Frame	- 1 Slot Only
<input type="checkbox"/> TG1516: 15/16" Tegalor T-Bar	
<input type="checkbox"/> TG916: 9/16" Tegalor or Bolt Slot T-Bar	
<input type="checkbox"/> TZ-4: 4" (102) Techzone Module	- 1" (25mm), 1 Slot Only
<input type="checkbox"/> TZ-6: 6" (154) Techzone Module	- 1" (25mm), 2 Slot Only

Slot Width	All frames except VF				VF frame	
	<input type="checkbox"/> 1 Slot		<input type="checkbox"/> 2 Slot		<input type="checkbox"/> 1 Slot	
	A	B	A	B	A	B
<input type="checkbox"/> 1"	2 9/16" (64mm)	1 3/4" (44mm)	4 7/8" (122mm)	2 1/4" (57mm)	3 15/16" (100 mm)	2 1/8" (54 mm)
<input type="checkbox"/> 1 1/2"	3 9/16" (89mm)	2 1/4" (57mm)	6 7/8" (173mm)	3" (76mm)	3 15/16" (100 mm)	2 1/8" (54 mm)
<input type="checkbox"/> 2"	4 9/16" (114mm)	2 3/4" (70mm)	8 7/8" (224mm)	3 3/4" (95mm)	4 15/16" (125 mm)	2 7/8" (73 mm)
<input type="checkbox"/> 2 1/5"	5 9/16" (140mm)	3 1/4" (83mm)	10 7/8" (275mm)	4 1/2" (114mm)	4 15/16" (125 mm)	2 7/8" (73 mm)
<input type="checkbox"/> 3"	6 9/16" (165mm)	3 3/4" (95mm)	12 7/8" (325mm)	5 1/4" (133mm)	5 15/16" (151 mm)	3 5/8" (92 mm)

FINISH:

Standard Finish:

B17 - Black

Optional Finishes Available:

• SPL - Special Finish

MATERIAL:

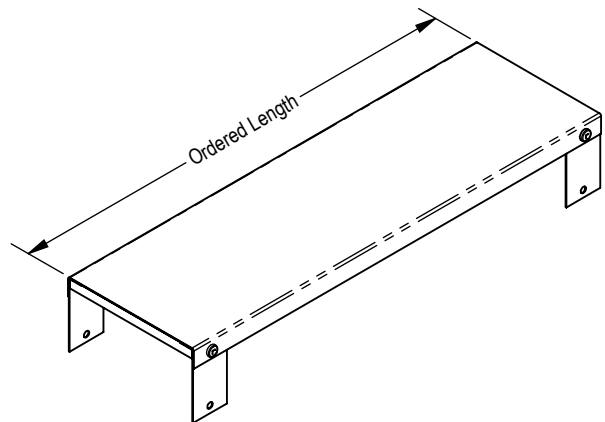
• Cold rolled steel

NOTES:

- 4 Mounting angles supplied for baffles 48" (1219mm) and under
- 6 Mounting angles supplied for baffles over 48" (1219mm)
- Mounting angles shipped loose for field installation
- Available in 1" (25mm) increments.
- Min. length = 12" (305mm), max length = 96" (2438mm)
- Min. width = 1 1/2" (38mm), max. width = 24" (610mm)
- Min. width = 2" (51mm), max. width = 24" (610mm) - For LBPH 125, 187, CPF Frames
- Min. width = 2" (51mm), max. width = 24" (610mm) - For LBMH 125, 187 Frames
- Factory tolerance = ±1/32" (1mm)

OPTIONAL INSULATION:

CF - Coated Fiberglass Insulation



ALL METRIC DIMENSIONS () ARE SOFT CONVERTED. IMPERIAL DIMENSIONS ARE CONVERTED TO METRIC AND ROUNDED TO THE NEAREST MILLIMETER

PROJECT:		PRICE [®]	
ENGINEER:		<i>MJ</i> 274479	RBL RETURN BAFFLE FOR LINEAR SLOT DIFFUSERS AND GRILLES
CUSTOMER:			
SUBMITTAL DATE:	SPEC. SYMBOL:	2023-06-15	